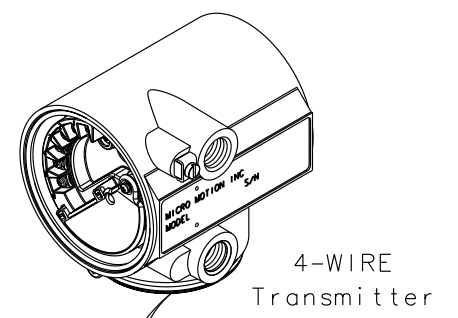


REVISIONS						
REV	ECN	DESCRIPTION OF CHANGE	DRAWN	CHKD	APVD	DATE

GENERAL NOTES (UNLESS OTHERWISE SPECIFIED)

### Transmitters:

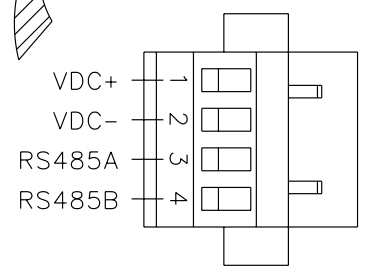
1700B  
2700B



4-WIRE Transmitter

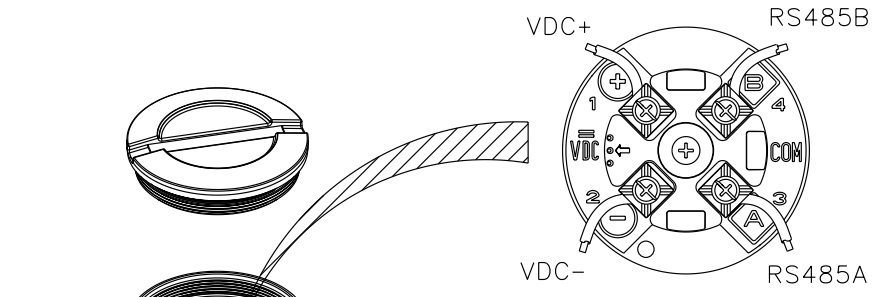
4-WIRE IS Cable  
1000 ft [300 m]  
(maximum cable length)

CUSTOMER SUPPLIED CABLE  
MAXIMUM LENGTH:  
1000 ft (300m) OF 18 AWG(0.8 mm<sup>2</sup>)  
300 ft (100m) OF 22 AWG(0.35 mm<sup>2</sup>)



### Sensor Terminals:

DT065  
DT100  
DT150



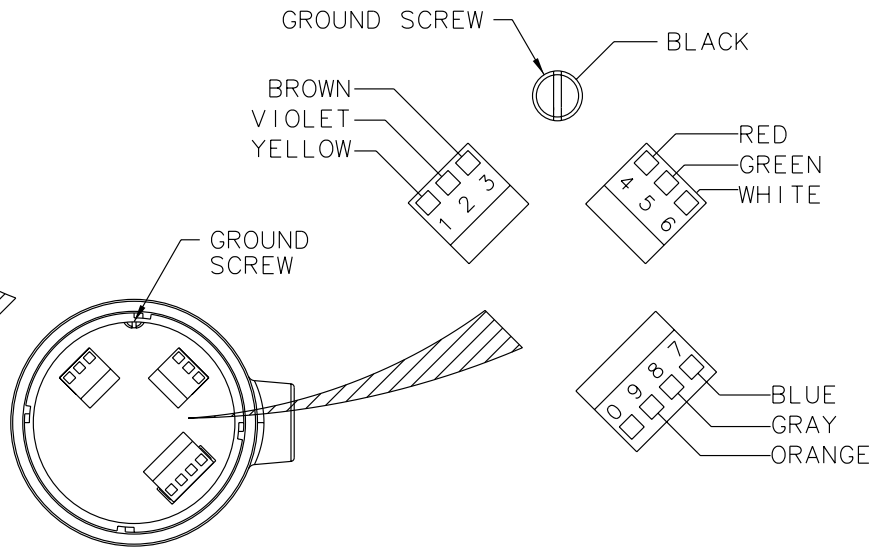
9-WIRE Remote Core Processor  
(supplied with transmitter)

User - Supplied Metal Junction Box With Terminal Block

Sensor Wire #	Color
1	Brown
2	Red
3	Orange
4	Yellow
5	Green
6	Blue
7	Violet
8	Gray
9	White

9-WIRE IS Cable  
60 ft [18 m]  
(maximum cable length)

NOTE:  
Prepare IS Cable per the instructions provided with the cable.



ITEM	DESCRIPTION	PART OR REF. NO.	MATL. OR MFR.	QTY.
		<b>MICRO MOTION, INC.</b> BOULDER, COLORADO		
		WIRING, DT TO 1700B/2700B		
NAME	DATE	SIZE	DWG. NO.	REV.
DRAWN LLR	4/16/02	D	EW-20000142	C
CHKD. JLA	11/5/02	SCALE NONE	DO NOT SCALE DRAWING	SHEET 1 OF 1
APVD. JLA	11/5/02			