

8

7

6

5

4

3

2

1

GENERAL NOTES (UNLESS OTHERWISE SPECIFIED)

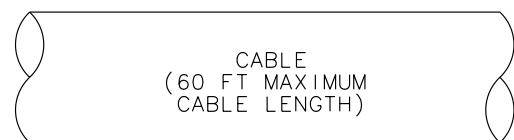
REVISIONS						
REV	ECN	DESCRIPTION OF CHANGE	DRAWN	CHKD	APVD	DATE

Sensor Terminals:

Sensor Models:

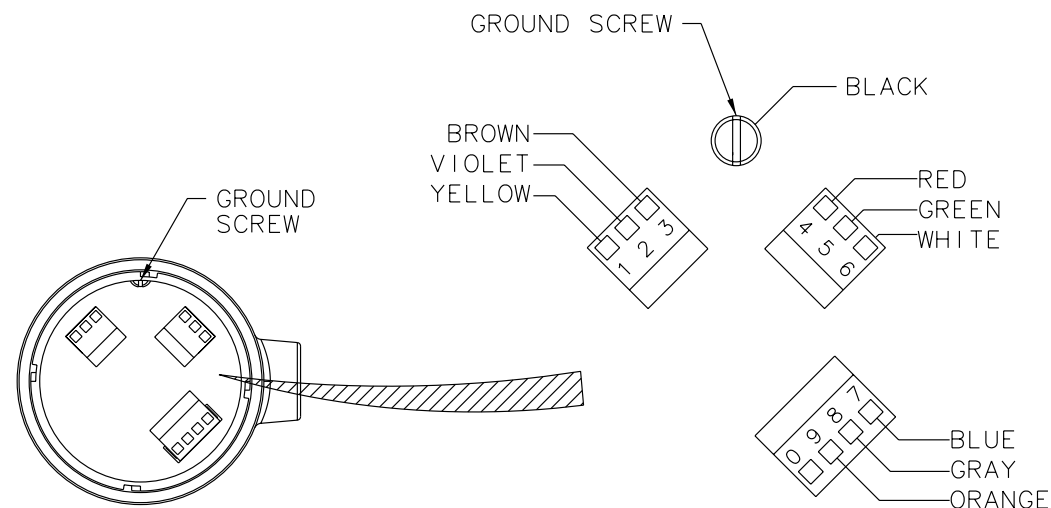
DH025	DL025	DS150
DH038	DL050	DS300
DH100	DL065	
DH150	DL100	
DH300	DL200	

1	Brown
2	Red
3	Orange
4	Yellow
5	Green
6	Blue
7	Violet
8	Gray
9	White



Transmitters:

1700C
2700C



D

D

C

C

B

B

A

A

COPYRIGHT 2005 MICRO MOTION, INC. ALL RIGHTS RESERVED

ITEM	DESCRIPTION	PART OR REF. NO.	MATL. OR MFR.	QTY.
			MICRO MOTION, INC. BOULDER, COLORADO	
	THIRD ANGLE PROJECTION			
			WIRING, DH/DL/DS TO 1700C/2700C	
DRAWN	LLR	4/16/02	SIZE DWG. NO.	REV.
CHKD.	JLA	11/5/02	D EW-20000058	B
APVD.	JLA	11/5/02	SCALE NONE DO NOT SCALE DRAWING	SHEET 1 OF 1

8

7

6

5

4

3

2

1