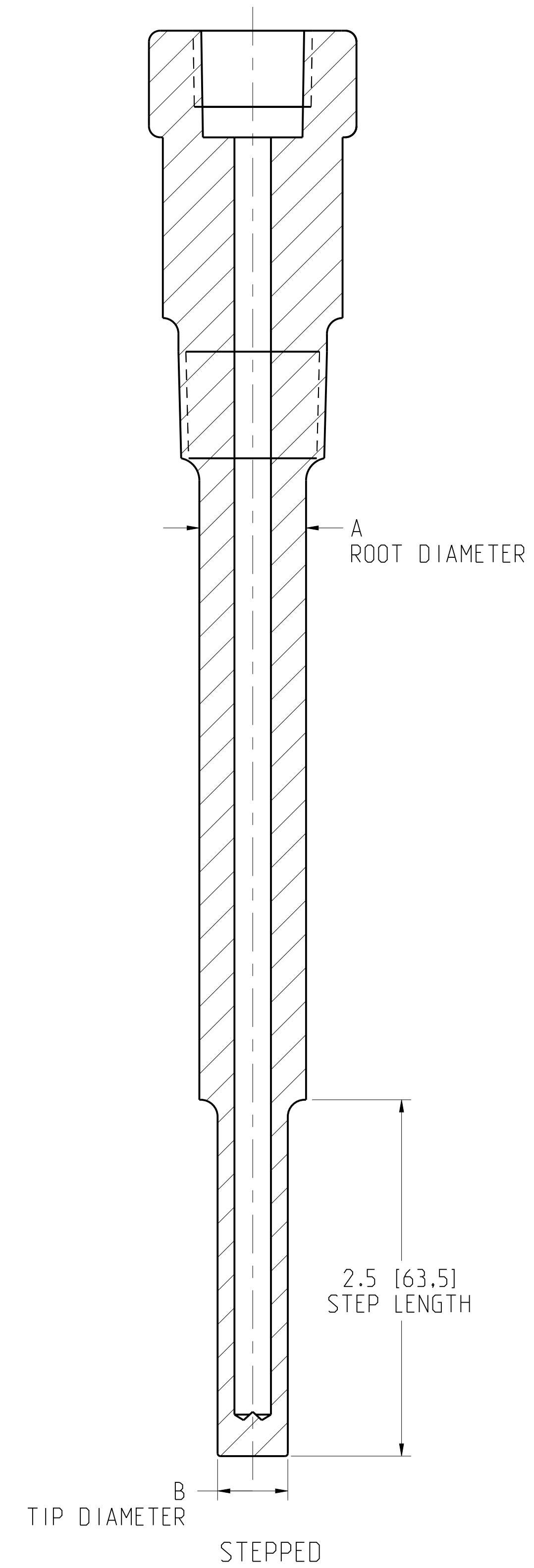
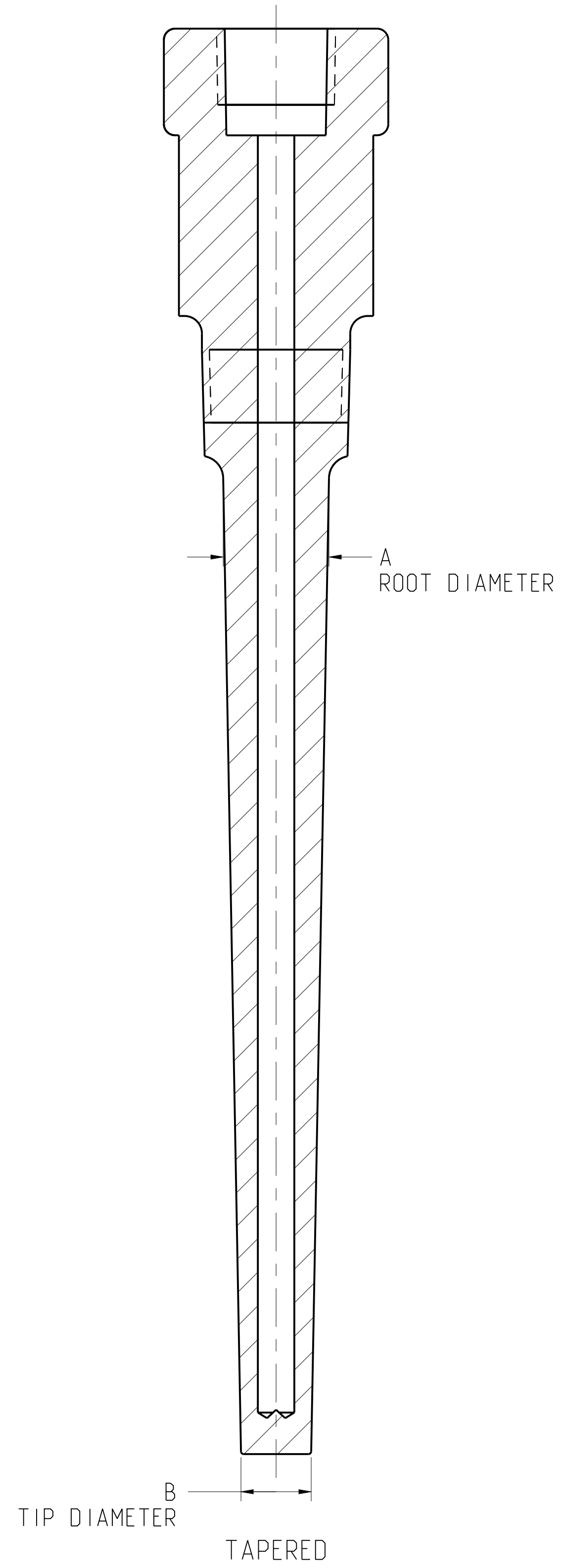
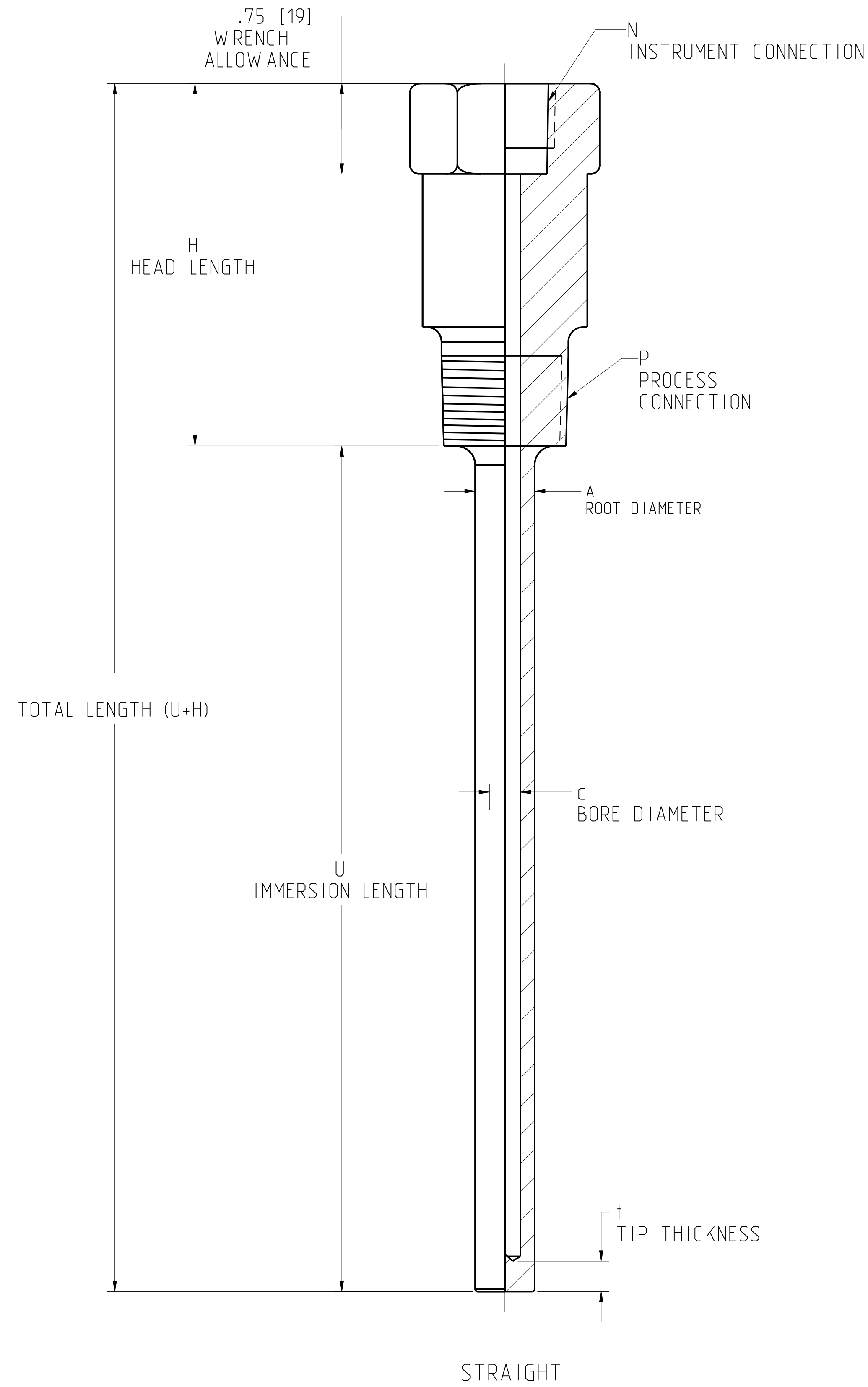


ROSEMOUNT 114C BARSTOCK THERMOWELL

THREAD MOUNT THERMOWELLS  
(TAPERED THREAD)

REVISION TABLE			
REVISION	ECO NO.	APP'D	DATE
AG	RTC1079450	Z KAISER	7/14/22
DESCRIPTION			
UP DAT DIMS IN TABLE ON PAGE 2			



©2015 ROSEMOUNT, INC.  
ROSEMOUNT INCORPORATES  
THIS INFORMATION IN  
THE DRAWING AND IS NOT  
TO BE USED IN ANY  
MANNER WITHOUT THE  
APPROVAL OF ROSEMOUNT  
ENGINEERING.  
UNIT NOTES IN INCHES (mm).

REFERENCE ROSEMOUNT  
PRODUCT SPECIFICATIONS FOR  
PRODUCT SPECIFICATIONS.  
CLICK HERE

EMERSON

TITLE ROSEMOUNT THERMOWELLS  
TYPE I DRAWING

DR. J. ARMSTRONG 5/29/15 DRAWING NO. 00114-7000  
APP'D J. REUVERS 7/25/15

CAD MAINTAINED (PRO/E) SHEET 1 OF 12

3RD ANGLE

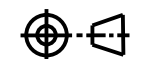
SIZE D SCALE NTS

THREAD MOUNT THERMOWELLS  
(TAPERED THREAD)

CODE	CODE	MOUNTING STYLE	WRENCH FLAT SIZE "G"		ROOT DIAMETER STEPPED STEM "ØAs"	ROOT DIAMETER TAPERED STEM "ØAt"	TIP DIAMETER TAPERED STEM "ØB"	ROOT DIAMETER STRAIGHT STEM "ØAstr"	THREAD SPECIFICATION
	T	THREADED	METRIC UNITS; CODE "M"	U.S. CUSTOMARY; CODE "E"					
AA		1/2-14 ANPT	1.18 [30]	1-1/8 [28.6]	.67 [17]	.67 [17]	.5 [12.7]	.67 [17]	ANPT PER SAE -AS 71051
AB		3/4-14 ANPT	1.18 [30]	1-1/8 [28.6]	.75 [19]	.89 [22.5]	.63 [16]	.71 [18]	
AC		1-11.5 ANPT	1.34 [34]	1-1/4 [31.8]	.85 [21.5]	1.04 [26.5]	.71 [18]	.71 [18]	
AD	1	1/2-11.5 ANPT	1.89 [48]	1-3/4 [44.5]	.85 [21.5]	1.04 [26.5]	.71 [18]	.71 [18]	
AE		1/2" BSPT	1.18 [30]	1-1/8 [28.6]	.67 [17]	.67 [17]	.5 [12.7]	.67 [17]	THD PER ISO 7/1( BS 21)
AF		3/4" BSPT	1.18 [30]	1-1/8 [28.6]	.75 [19]	.89 [22.5]	.63 [16]	.71 [18]	
AG		1" BSPT	1.34 [34]	1-1/4 [31.8]	.85 [21.5]	1.04 [26.5]	.71 [18]	.71 [18]	

©2015 ROSEMOUNT, INC.  
ROSEMOUNT INC. EXPRESS  
THIS DRAWING IS TO BE USED  
IN ACCORDANCE WITH  
ROSEMOUNT ENGINEERING  
SPECIFICATIONS.  
UNIT NOTES IN INCHES (mm).

REFERENCE ROSEMOUNT  
PRODUCT SHEETS FOR  
PRODUCT SPECIFICATIONS.  
CLICK HERE

3RD ANGLE  SIZE D SCALE NTS

**EMERSON**

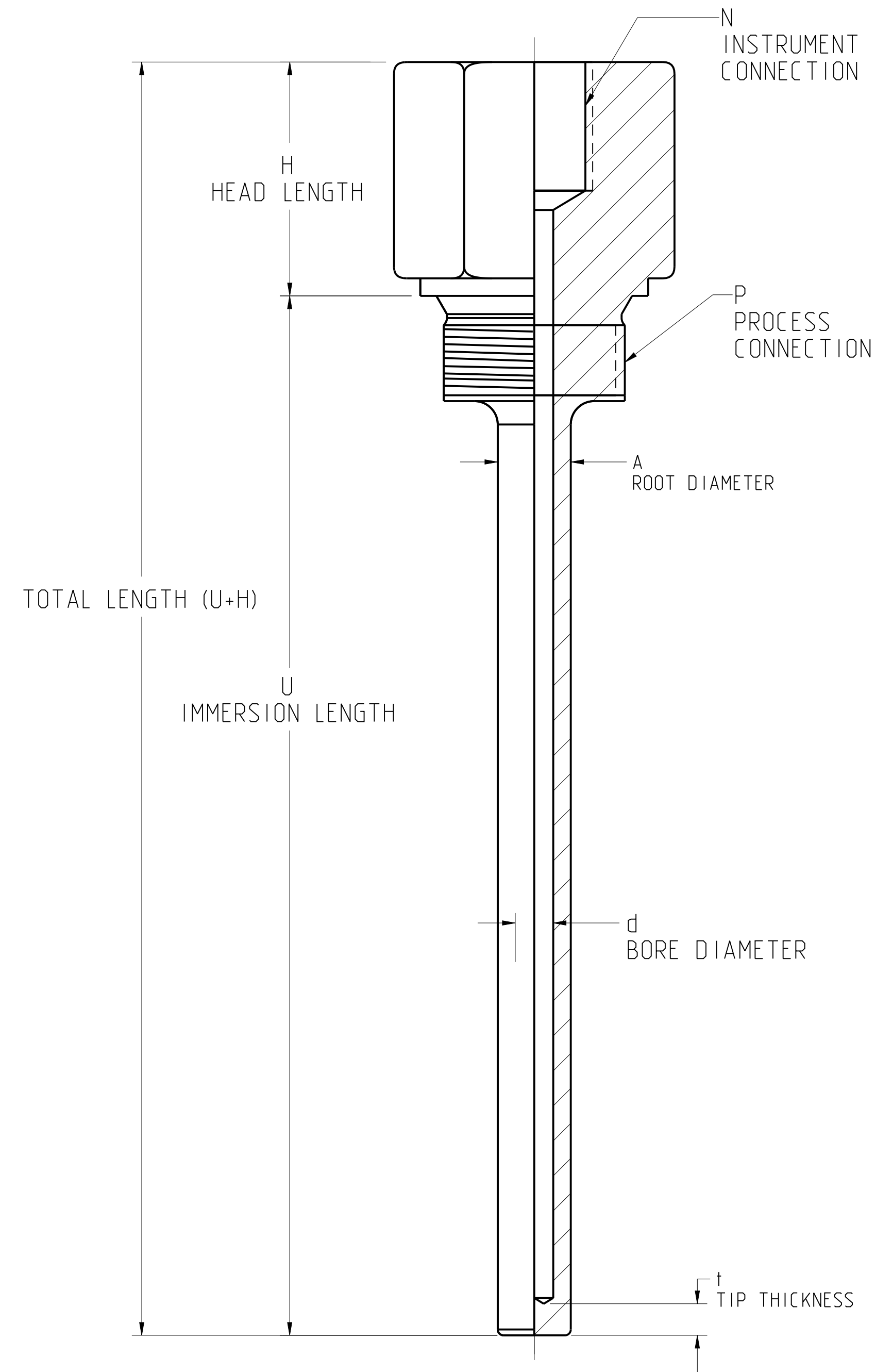
TITLE ROSEMOUNT THERMOWELLS  
TYPE I DRAWING

DR. J. ARMSTRONG 5/29/15 DRAWING NO. 00114-7000  
APP'D J. REUVERS 7/25/15

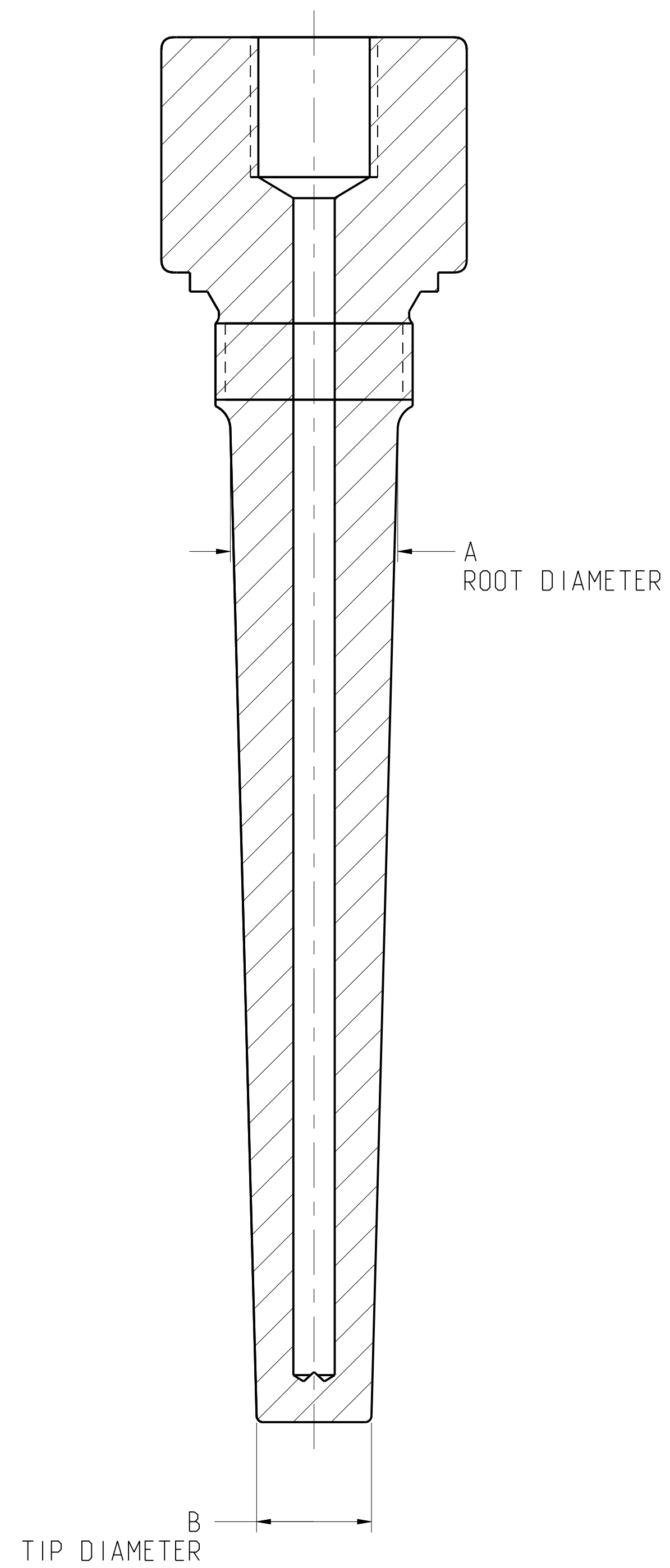
CAD MAINTAINED (PRO/EI) SHEET 2 OF 12

ROSEMOUNT 114C BARSTOCK THERMOWELL

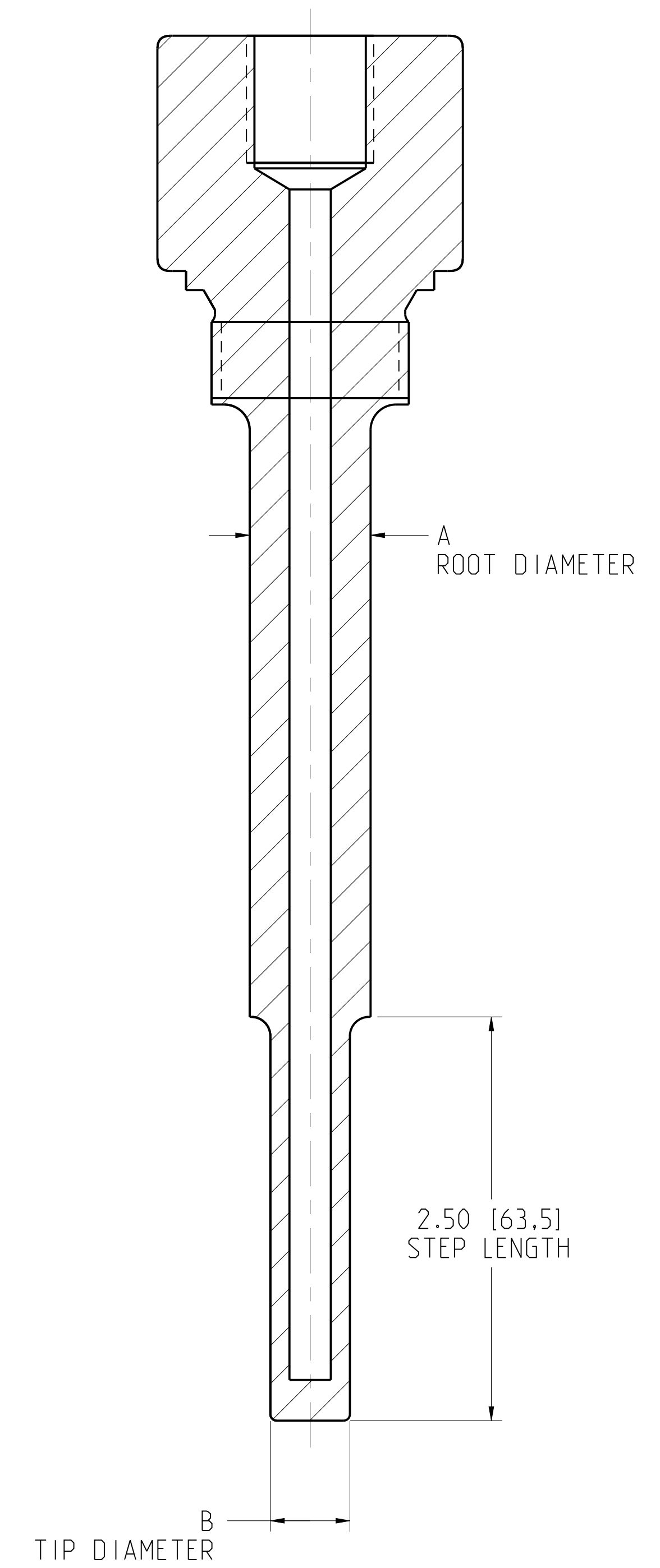
THREAD MOUNT THERMOWELLS  
(PARALLEL THREAD)



STRAIGHT



TAPERED



STEPPED


<small>©2015 ROSEMOUNT, INC. ROSEMOUNT INC. RESERVES ALL RIGHTS. THIS DRAWING IS THE PROPERTY OF ROSEMOUNT AND IS TO BE USED ONLY FOR THE PROJECT AND SPECIFICATIONS FOR WHICH IT WAS PREPARED. NO PART OF THIS DRAWING IS TO BE REPRODUCED OR TRANSMITTED IN ANY FORM OR BY ANY MEANS, ELECTRONIC OR MECHANICAL, INCLUDING PHOTOCOPYING, RECORDING, OR BY ANY INFORMATION STORAGE AND RETRIEVAL SYSTEM, WITHOUT PERMISSION IN WRITING FROM ROSEMOUNT ENGINEERING.</small>	<small>REFERENCE ROSEMOUNT PRODUCT SPECIFICATIONS FOR PRODUCT SPECIFICATIONS. CLICK HERE</small>	<small>3RD ANGLE</small>	<small>SIZE D</small>	<small>SCALE NTS</small>	
	<b>TITLE ROSEMOUNT THERMOWELLS TYPE I DRAWING</b>				
	<small>DR. J. ARMSTRONG</small>	<small>5/29/15</small>	<small>DRAWING NO.</small>	<b>00114-7000</b>	
<small>APP'D J. REUVERS</small>	<small>7/25/15</small>			<small>SHEET 3 OF 12</small>	
<small>CAD MAINTAINED. (PRO/E)</small>					

THREAD MOUNT THERMOWELLS  
(PARALLEL THREAD)

CODE	MOUNTING STYLE		HEX SIZE "F"	ROOT DIAMETER STEPPED STEM "ØAs"	ROOT DIAMETER TAPERED STEM "ØAt"	TIP DIAMETER TAPERED AND STRAIGHT STEM "ØB"	THREAD SPECIFICATION
	T	THREADED					
	PROCESS CONNECTION "P"						
DA	M20 X 1.5		1.18 [30]	.67 [17]	.67 [17]	.5 [12.7]	THREAD PER BS3643
DB	M24 X 1.5		1.18 [30]	.75 [19]	.75 [19]	.5 [12.7]	
DC	M27 X 2		1.26 or 1.42 [32 or 36]	.75 [19]	.75 [19]	.5 [12.7]	
DD	M33 X 2		1.61 [41]	.85 [21.5]	1.04 [26.5]	.71 [18]	
DE	1/2" BSPF (G1/2)		1.06 [27]	.67 [17]	.67 [17]	.5 [12.7]	THREAD PER ISO 228/1(BS 2779)
DF	3/4" BSPF (G3/4)		1.26 [32]	.75 [19]	.75 [19]	.5 [12.7]	
DG	1" BSPF (G1)		1.61 [41]	.85 [21.5]	1.04 [26.5]	.71 [18]	

©2015 ROSEMOUNT, INC.  
ROSEMOUNT INC. EXPRESS  
THIS DRAWING AS IS. ROSEMOUNT  
THERMOWELLS ARE NOT TO BE USED  
WITHOUT THE WRITTEN PERMISSION OF  
ROSEMOUNT ENGINEERING.  
SPECIFICATIONS.  
UNIT NOTES IN INCHES (mm).

REFERENCE ROSEMOUNT  
PRODUCT SHEETS FOR  
PRODUCT SPECIFICATIONS.  
CLICK HERE

3RD ANGLE  SIZE D SCALE NTS

**EMERSON**

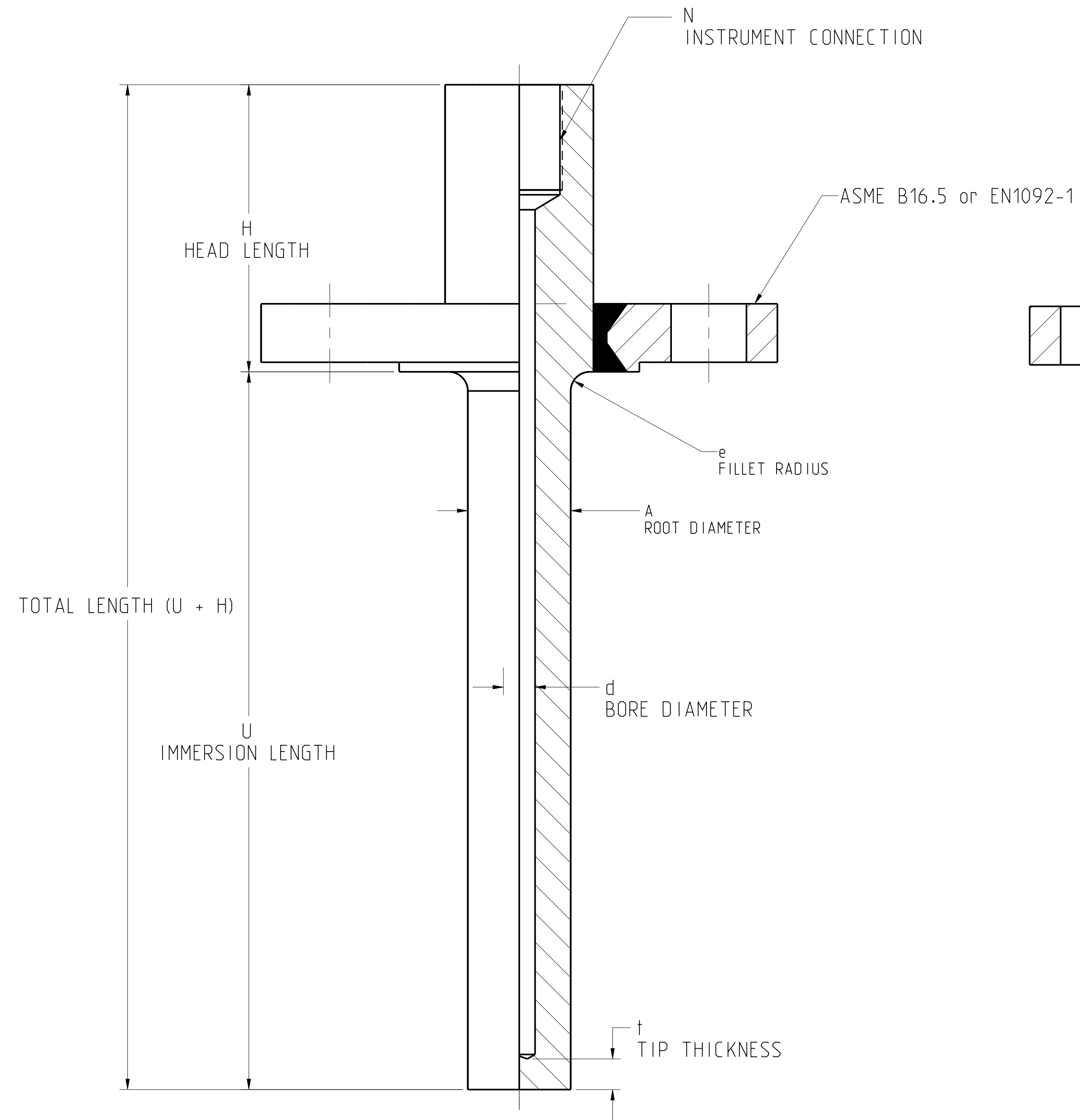
TITLE ROSEMOUNT THERMOWELLS  
TYPE I DRAWING

DR. J. ARMSTRONG 5/29/15 DRAWING NO.  
APP'D J. REUVERS 7/25/15 00114-7000

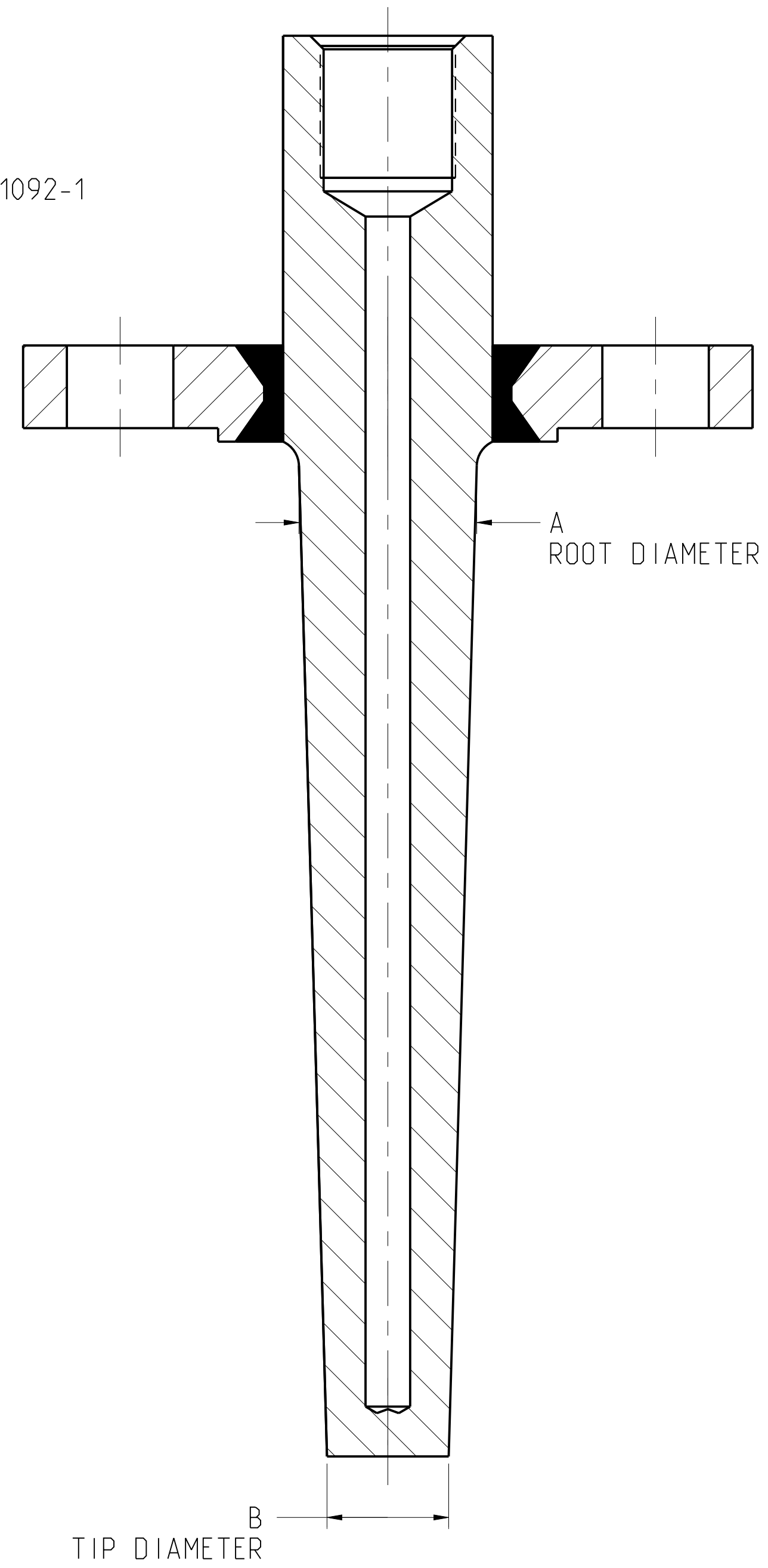
CAD MAINTAINED (PRO/EI) SHEET 4 OF 12

ROSEMOUNT 114C BARSTOCK THERMOWELL

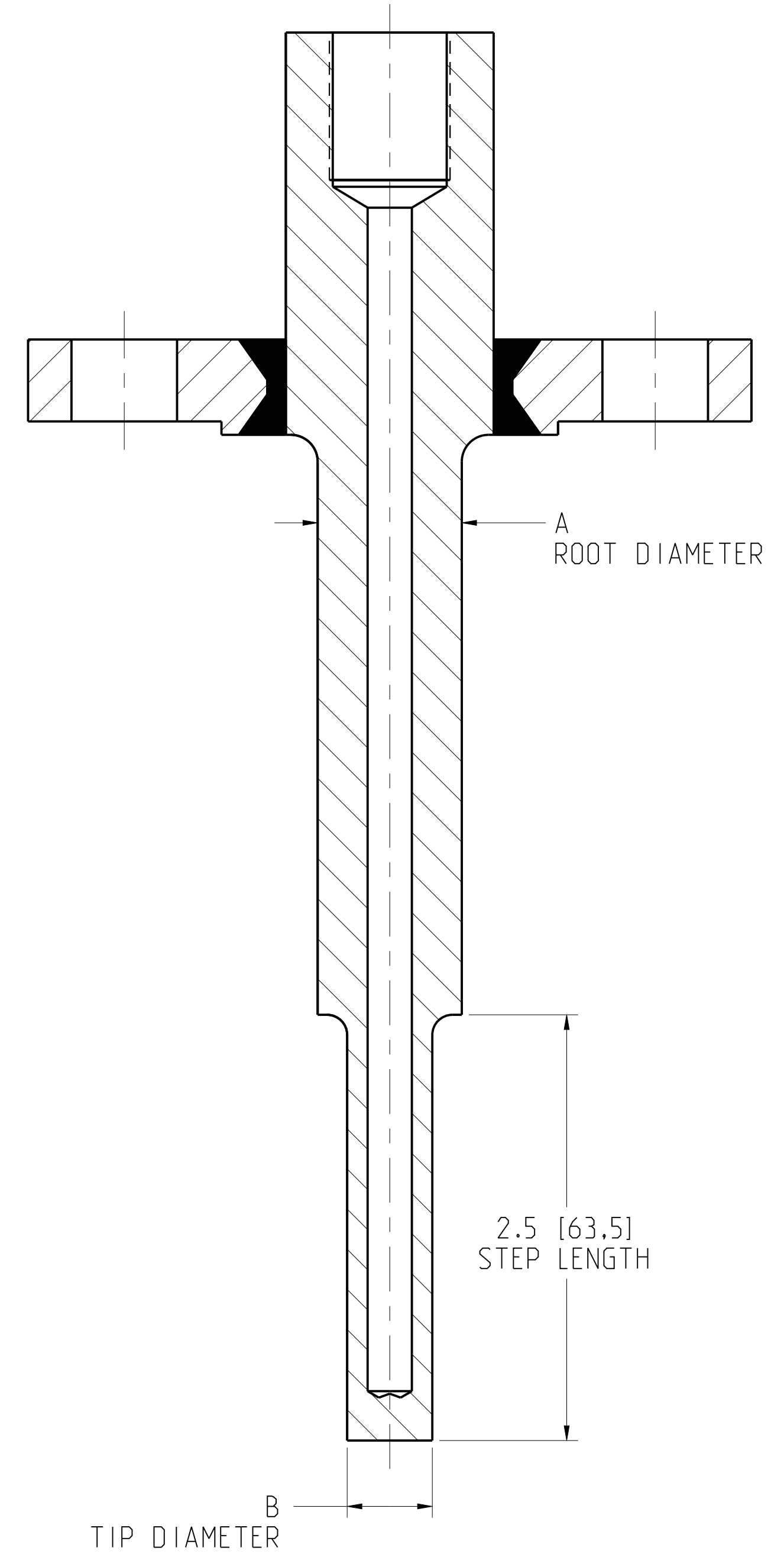
FLANGE MOUNT THERMOWELLS



STRAIGHT



TAPERED



STEPPED

©2015 ROSEMOUNT, INC.  
ROSEMOUNT INCORPORATES  
THIS INFORMATION IN  
THE ACCORDANCE WITH  
ROSEMOUNT ENGINEERING  
SPECIFICATIONS.  
UNIT NOTES IN INCHES (mm).

REFERENCE ROSEMOUNT  
PRODUCT SHEETS FOR  
PRODUCT SPECIFICATIONS.  
CLICK HERE

EMERSON

TITLE ROSEMOUNT THERMOWELLS  
TYPE I DRAWING

DR. J. ARMSTRONG 5/29/15 DRAWING NO. 00114-7000

APP'D J. REUVERS 7/25/15

CAD MAINTAINED. (PRO/EI) SHEET 5 OF 12

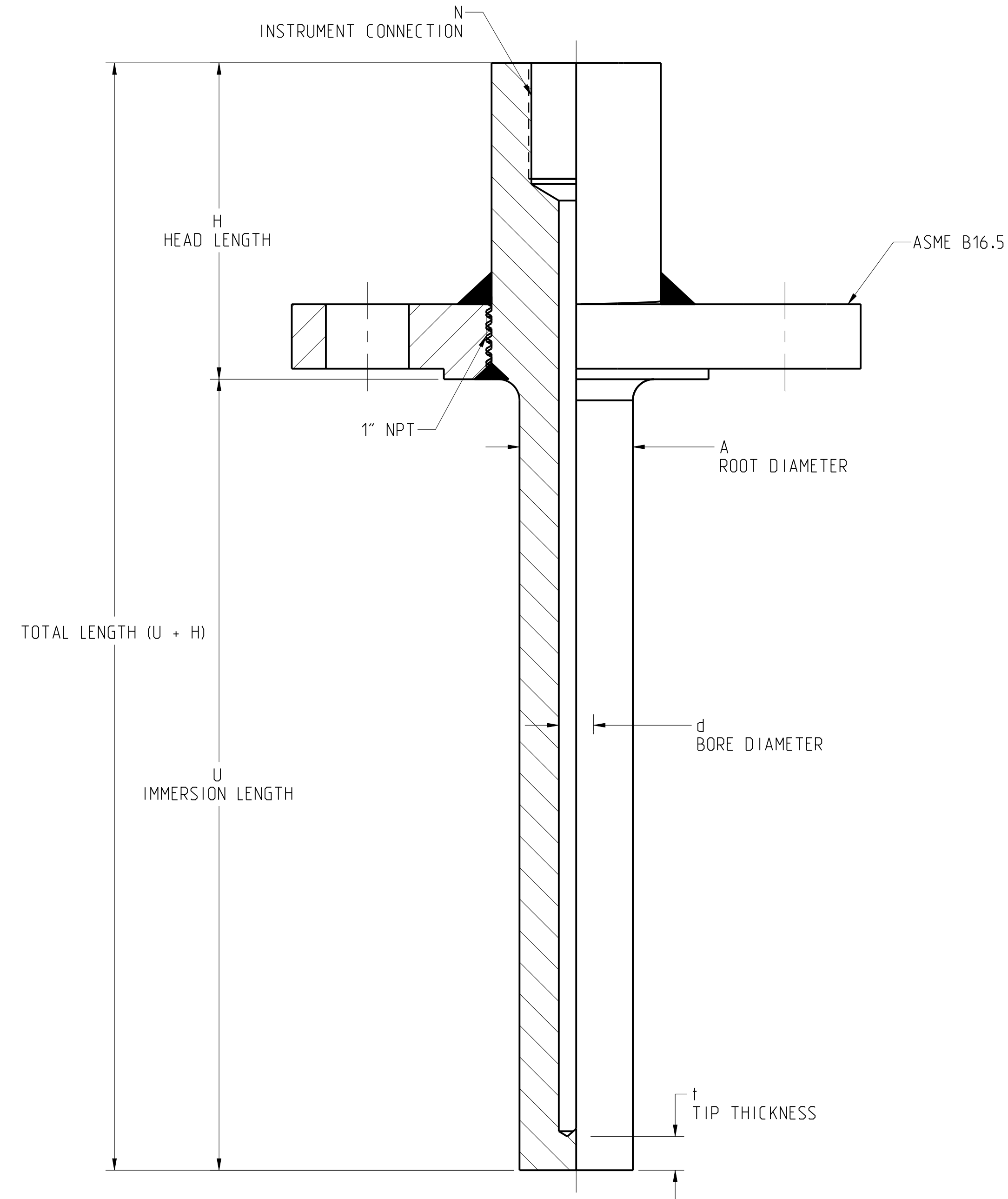
3RD ANGLE

SIZE D

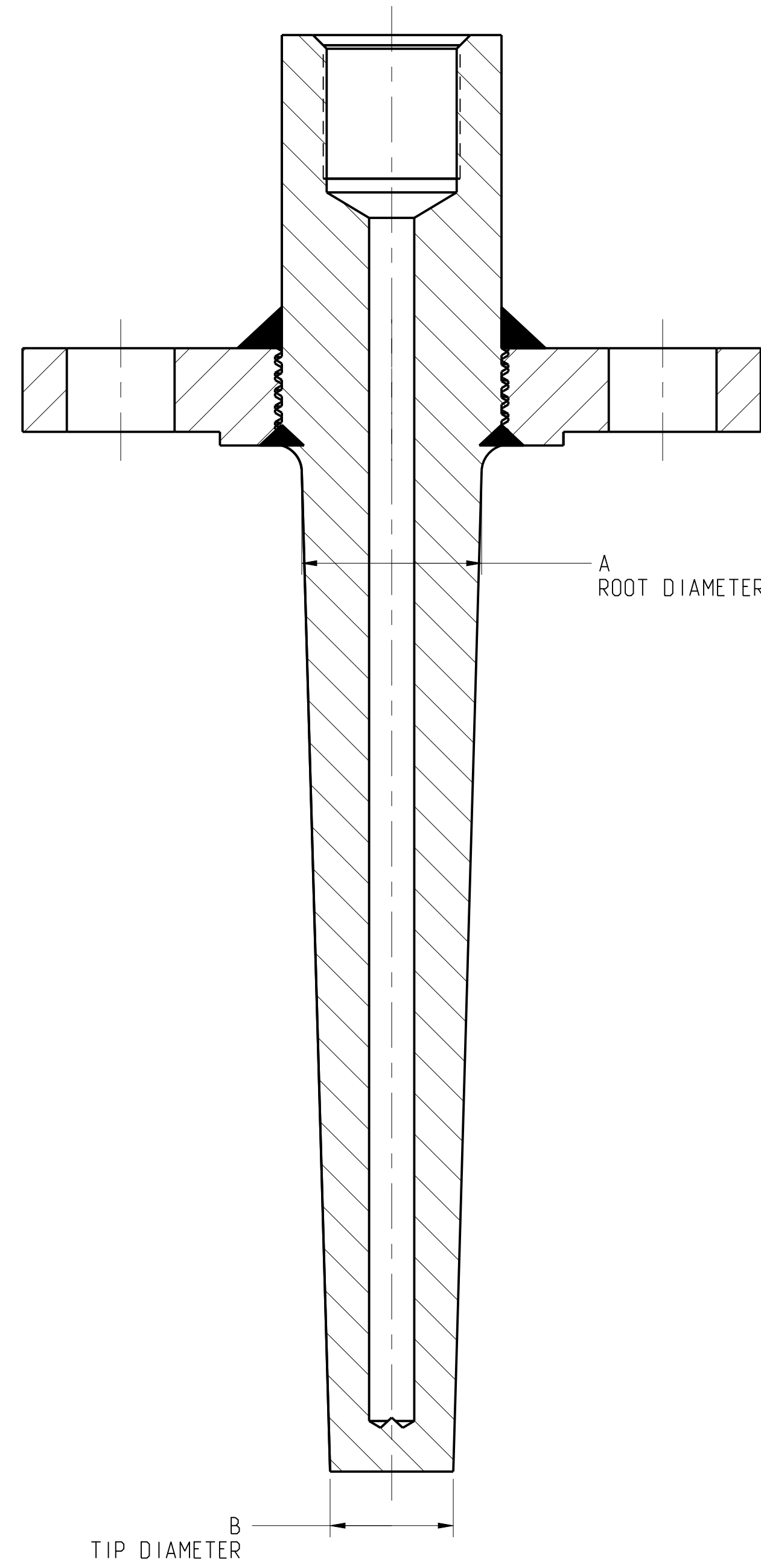
SCALE NTS

ROSEMOUNT 114C BARSTOCK THERMOWELL

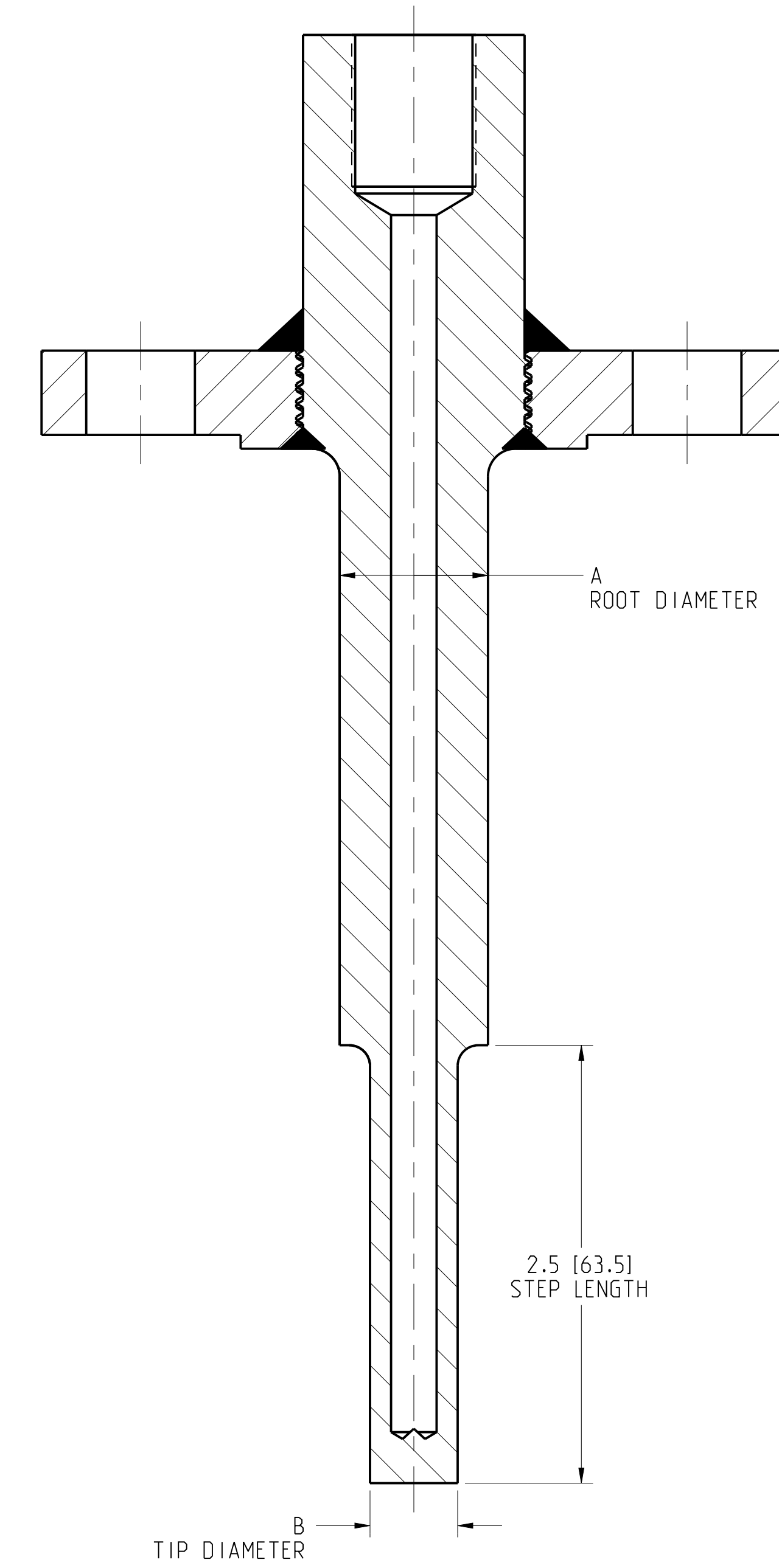
THREADED FLANGE MOUNT THERMOWELLS



STRAIGHT



TAPERED



STEPPED

©2015 ROSEMOUNT, INC.  
ROSEMOUNT INCORPORATES  
THIS INFORMATION IN  
THIS DRAWING IN ACCORDANCE WITH  
ROSEMOUNT ENGINEERING  
SPECIFICATIONS.  
UNIT NOTES IN INCHES (mm).

REFERENCE ROSEMOUNT  
PRODUCT SHEETS FOR  
PRODUCT SPECIFICATIONS.  
CLICK HERE

3RD ANGLE

EMERSON

TITLE ROSEMOUNT THERMOWELLS  
TYPE I DRAWING

DR. J. ARMSTRONG 5/29/15 DRAWING NO.  
APP'D J. REUVERS 7/25/15 00114-7000

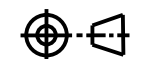
CAD MAINTAINED (PRO/E) SHEET 6 OF 12

FLANGE MOUNT THERMOWELLS

CODE	CODE	MOUNTING STYLE	CODE	MOUNTING STYLE	CODE	MOUNTING STYLE	CODE	MOUNTING STYLE	ROOT DIAMETER STEPPED STEM "ØAs"	ROOT DIAMETER TAPERED STEM "ØAt"	TIP DIAMETER TAPERED STEM "ØBt"	ROOT DIAMETER STRAIGHT STEM "ØAstr"	FLANGES PER SPECIFICATION
	P	FLANGE, PARTIAL PENETRATION WELD	F	FLANGE, FULL PENETRATION WELD	G	FLANGE, SINGLE PIECE FORGING	E	FLANGE, THREADED					
	PROCESS CONNECTION												
AA	1" CLASS 150		1" CLASS 150		1" CLASS 150		1" CLASS 150		.75 [19]	.89 [22.5]	.63 [16]	.75 [19]	ASME B16.5
AB	1 1/2" CLASS 150		1 1/2" CLASS 150		1 1/2" CLASS 150		1 1/2" CLASS 150		.85 [21.5]	1.04 [26.5]	.71 [18]	.85 [21.5]	
AC	2" CLASS 150		2" CLASS 150		2" CLASS 150		2" CLASS 150		.85 [21.5]	1.04 [26.5]	.71 [18]	.85 [21.5]	
AD	3" CLASS 150		3" CLASS 150		3" CLASS 150		3" CLASS 150		.85 [21.5]	1.04 [26.5]	.71 [18]	.85 [21.5]	
AE	4" CLASS 150		4" CLASS 150		4" CLASS 150		4" CLASS 150		.85 [21.5]	1.04 [26.5]	.71 [18]	.85 [21.5]	
AF	6" CLASS 150		6" CLASS 150		6" CLASS 150		6" CLASS 150		.85 [21.5]	1.04 [26.5]	.71 [18]	.85 [21.5]	
AG	3/4" CLASS 300		3/4" CLASS 300		3/4" CLASS 300		-		.67 [17]	.67 [17]	.5 [12.7]	.67 [17]	
AH	1" CLASS 300		1" CLASS 300		1" CLASS 300		1" CLASS 300		.75 [19]	.89 [22.5]	.63 [16]	.75 [19]	
AJ	1 1/2" CLASS 300		1 1/2" CLASS 300		1 1/2" CLASS 300		1 1/2" CLASS 300		.85 [21.5]	1.04 [26.5]	.71 [18]	.85 [21.5]	
AK	2" CLASS 300		2" CLASS 300		2" CLASS 300		2" CLASS 300		.85 [21.5]	1.04 [26.5]	.71 [18]	.85 [21.5]	
AL	1" CLASS 400/600		1" CLASS 400/600		1" CLASS 400/600		1" CLASS 400/600		.75 [19]	.89 [22.5]	.63 [16]	.75 [19]	EN 1092-1
AM	1 1/2" CLASS 400/600		1 1/2" CLASS 400/600		1 1/2" CLASS 400/600		1 1/2" CLASS 400/600		.85 [21.5]	1.04 [26.5]	.71 [18]	.85 [21.5]	
AN	2" CLASS 400/600		2" CLASS 400/600		2" CLASS 400/600		2" CLASS 400/600		.85 [21.5]	1.04 [26.5]	.71 [18]	.85 [21.5]	
FA	DN 20 / PN 2.5/6		DN 20 / PN 2.5/6		-		-		.67 [17]	.67 [17]	.5 [12.7]	.67 [17]	
FE	DN 20 / PN 10/16/25/40		DN 20 / PN 10/16/25/40		-		-		.67 [17]	.67 [17]	.5 [12.7]	.67 [17]	
FG	DN 20 / PN 63/100		DN 20 / PN 63/100		-		-		.67 [17]	.67 [17]	.5 [12.7]	.67 [17]	
GA	DN 25 / PN 2.5/6		DN 25 / PN 2.5/6		-		-		.75 [19]	.75 [19]	.5 [12.7]	.75 [19]	
GE	DN 25 / PN 10/16/25/40		DN 25 / PN 10/16/25/40		-		-		.75 [19]	.75 [19]	.5 [12.7]	.75 [19]	
GG	DN 25 / PN 63/100		DN 25 / PN 63/100		-		-		.75 [19]	.75 [19]	.5 [12.7]	.75 [19]	
JA	DN 40 / PN 2.5/6		DN 40 / PN 2.5/6		-		-		.85 [21.5]	1.04 [26.5]	.71 [18]	.85 [21.5]	
JE	DN 40 / PN 10/16/25/40		DN 40 / PN 10/16/25/40		-		-		.85 [21.5]	1.04 [26.5]	.71 [18]	.85 [21.5]	
JG	DN 40 / PN 63/100		DN 40 / PN 63/100		-		-		.85 [21.5]	1.04 [26.5]	.71 [18]	.85 [21.5]	
KA	DN 50 / PN 2.5/6		DN 50 / PN 2.5/6		-		-		.85 [21.5]	1.04 [26.5]	.71 [18]	.85 [21.5]	
KC	DN 50 / PN 10/16		DN 50 / PN 10/16		-		-		.85 [21.5]	1.04 [26.5]	.71 [18]	.85 [21.5]	
KE	DN 50 / PN 25/40		DN 50 / PN 25/40		-		-		.85 [21.5]	1.04 [26.5]	.71 [18]	.85 [21.5]	
KF	DN 50 / PN 63		DN 50 / PN 63		-		-		.85 [21.5]	1.04 [26.5]	.71 [18]	.85 [21.5]	
KG	DN 50 / PN 100		DN 50 / PN 100		-		-		.85 [21.5]	1.04 [26.5]	.71 [18]	.85 [21.5]	

©2015 ROSEMOUNT, INC.  
ROSEMOUNT INCORPORATES  
THIS DRAWING AS IS IN  
THIS ACCORDANCE WITH  
ROSEMOUNT ENGINEERING  
SPECIFICATIONS.  
UNIT NOTES IN INCHES (mm).

REFERENCE ROSEMOUNT  
PRODUCT SHEETS FOR  
PRODUCT SPECIFICATIONS.  
CLICK HERE

3RD ANGLE  SIZE D SCALE NTS

**EMERSON**

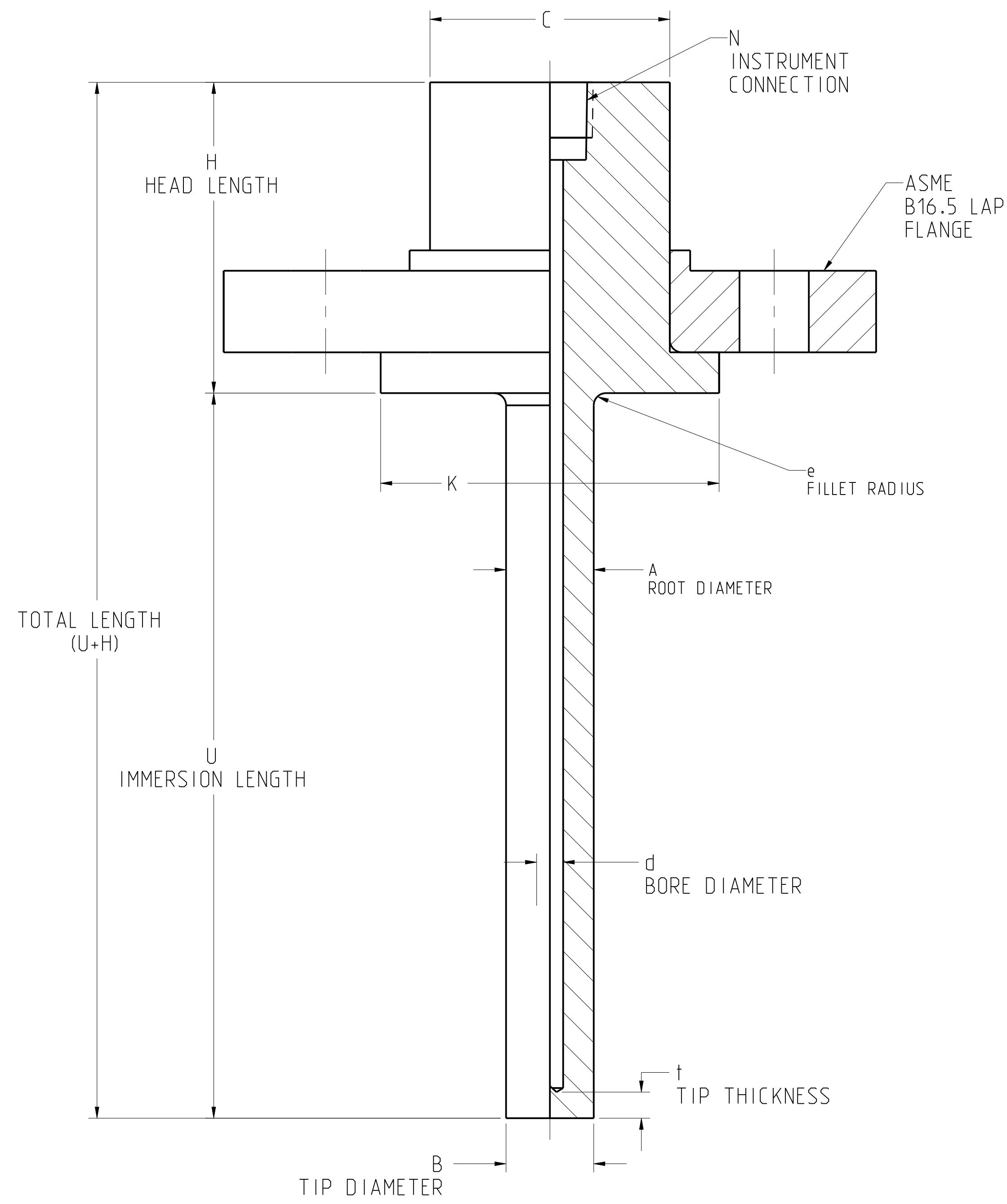
TITLE ROSEMOUNT THERMOWELLS  
TYPE I DRAWING

DR. J. ARMSTRONG 5/29/15 DRAWING NO.  
APP'D J. REUVERS 7/25/15 00114-7000

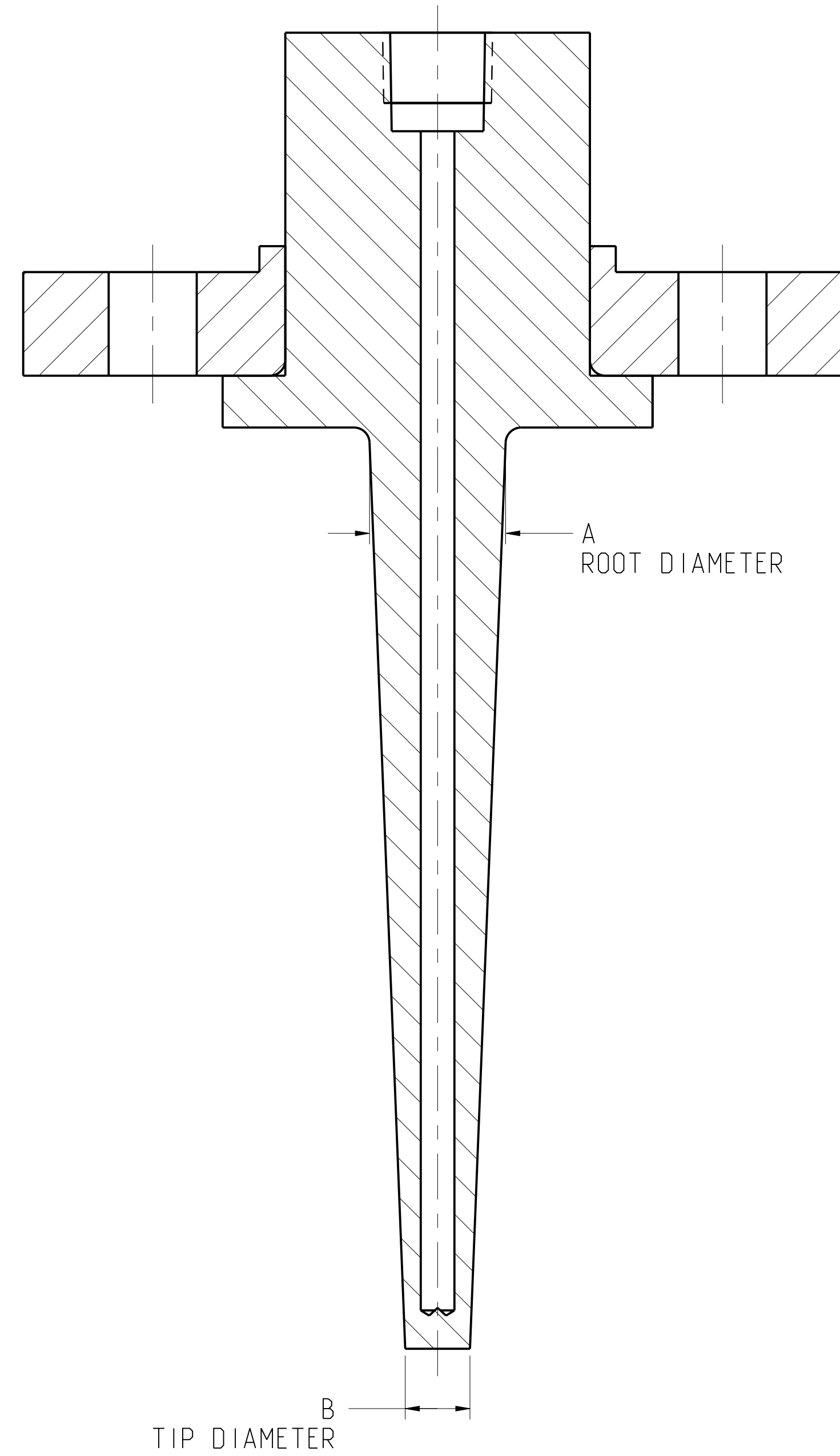
CAD MAINTAINED (PRO/EI) SHEET 7 OF 12

ROSEMOUNT 114C BARSTOCK THERMOWELL

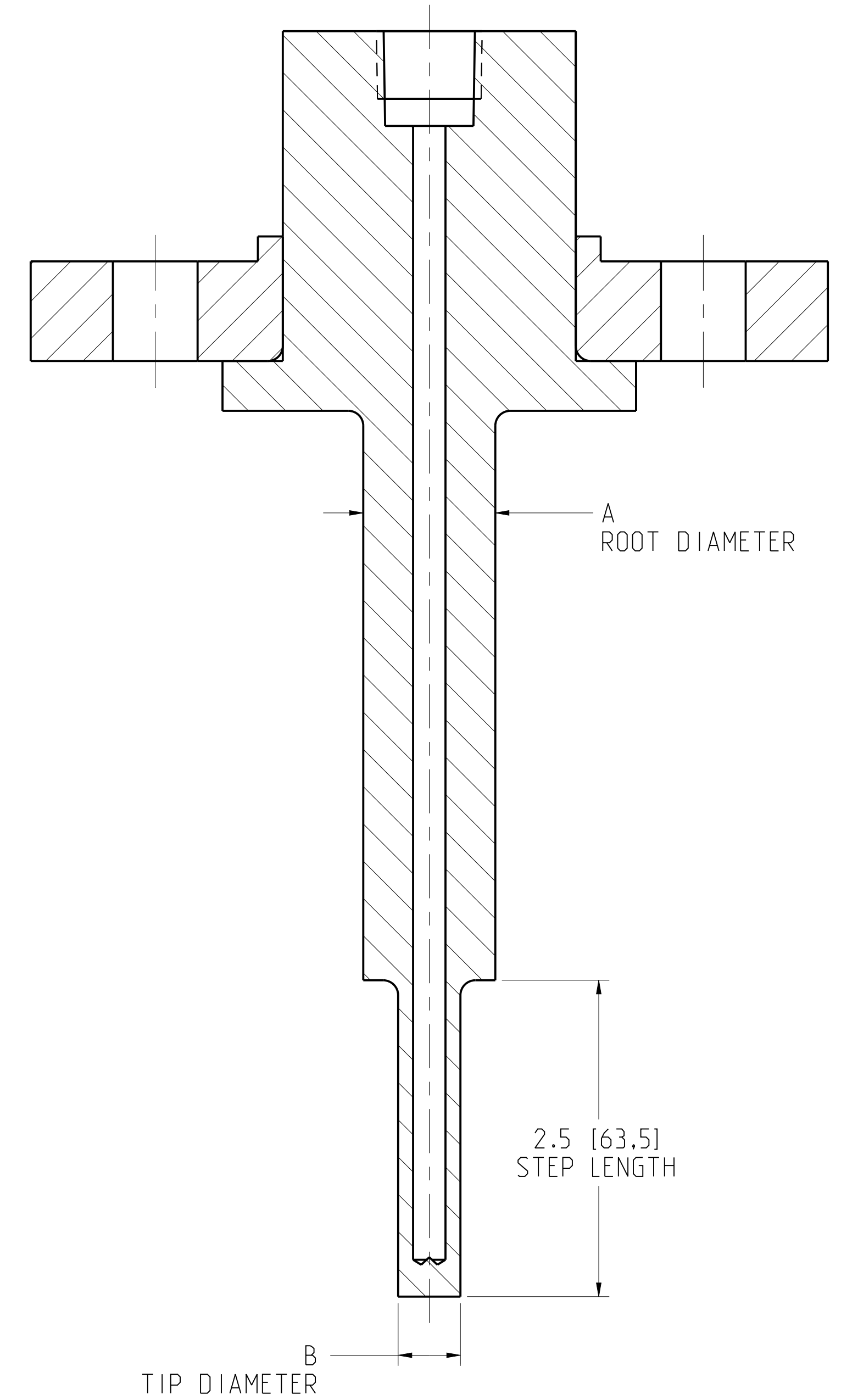
VAN STONE/ LAP FLANGE THERMOWELLS



STRAIGHT



TAPERED



STEPPED

©2015 ROSEMOUNT, INC. ROSEMOUNT INC. RESERVES ALL RIGHTS. THIS DRAWING IS TO BE USED IN ACCORDANCE WITH ROSEMOUNT ENGINEERING SPECIFICATIONS. UNIT NOTES IN INCHES (mm).

REFERENCE ROSEMOUNT PRODUCT LITERATURE FOR PRODUCT SPECIFICATIONS. CLICK HERE

EMERSON

TITLE ROSEMOUNT THERMOWELLS TYPE I DRAWING

DR. J. ARMSTRONG 5/29/15 DRAWING NO. 00114-7000

APP'D J. REUVERS 7/25/15

CAD MAINTAINED. (PRO/EI) SHEET 8 OF 12

3RD ANGLE

SIZE D

SCALE NTS

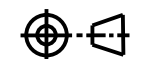


VAN STONE / LAP FLANGE THERMOWELLS

CODE	CODE	MOUNTING STYLE	LAGGING DIAMETER "ØC"	STUB DIAMETER ØK STANDARD RAISED FACE	STUB DIAMETER "ØK" RING TYPE JOINT OPTION R16	STUB THICKNESS "F" STANDARD RAISED FACE	STUB THICKNESS "F" RING TYPE JOINT OPTION R16	ROOT DIAMETER STEPPED STEM "ØAs"	ROOT DIAMETER TAPERED STEM "ØAt"	TIP DIAMETER TAPERED STEM "ØBt"	ROOT DIAMETER STRAIGHT STEM "ØAstr"
	V	VAN STONE / LAP FLANGE									
	PROCESS CONNECTION										
AA	1"	CLASS 150	1.31 [33.4]	1.99 [50.8]	2.50 [63.5]	.394 [10]	.644 [16.35]	.75 [19]	.89 [22.5]	.63 [16]	.75 [19]
AB	1 1/2"	CLASS 150	1.90 [48.3]	2.87 [73]	3.25 [82.5]		.644 [16.35]	.85 [21.5]	1.04 [26.5]	.71 [18]	.85 [21.5]
AC	2"	CLASS 150	2.37 [60.3]	3.62 [92.1]	4 [102]		.644 [16.35]	.85 [21.5]	1.04 [26.5]	.71 [18]	.85 [21.5]
AH	1"	CLASS 300	1.31 [33.4]	1.99 [50.8]	2.75 [70]		.644 [16.35]	.75 [19]	.89 [22.5]	.63 [16]	.75 [19]
AJ	1 1/2"	CLASS 300	1.90 [48.3]	2.87 [73]	3.56 [90.5]		.644 [16.35]	.85 [21.5]	1.04 [26.5]	.71 [18]	.85 [21.5]
AK	2"	CLASS 300	2.37 [60.3]	3.62 [92.1]	4.25 [108]		.707 [17.92]	.85 [21.5]	1.04 [26.5]	.71 [18]	.85 [21.5]
AL	1"	CLASS 400/600	1.31 [33.4]	1.99 [50.8]	2.75 [70]		.644 [16.35]	.75 [19]	.89 [22.5]	.63 [16]	.75 [19]
AM	1 1/2"	CLASS 400/600	1.90 [48.3]	2.87 [73]	3.56 [90.5]		.644 [16.35]	.85 [21.5]	1.04 [26.5]	.71 [18]	.85 [21.5]
AN	2"	CLASS 400/600	2.37 [60.3]	3.62 [92.1]	4.25 [108]		.707 [17.92]	.85 [21.5]	1.04 [26.5]	.71 [18]	.85 [21.5]
AP	1"	CLASS 900/1500	1.31 [33.4]	1.99 [50.8]	2.81 [71.5]		.644 [16.35]	.75 [19]	.89 [22.5]	.63 [16]	.75 [19]
AQ	1 1/2"	CLASS 900/1500	1.90 [48.3]	2.87 [73]	3.62 [92]		.644 [16.35]	.85 [21.5]	1.04 [26.5]	.71 [18]	.85 [21.5]
AR	2"	CLASS 900/1500	2.37 [60.3]	3.62 [92.1]	4.88 [124]		.707 [17.92]	.85 [21.5]	1.04 [26.5]	.71 [18]	.85 [21.5]
AS	1"	CLASS 2500	1.31 [33.4]	1.99 [50.8]	3.25 [82.5]		.644 [16.35]	.75 [19]	.89 [22.5]	.63 [16]	.75 [19]
AT	1 1/2"	CLASS 2500	1.90 [48.3]	2.87 [73]	4.50 [114]		.707 [17.92]	.85 [21.5]	1.04 [26.5]	.71 [18]	.85 [21.5]
AU	2"	CLASS 2500	2.37 [60.3]	3.62 [92.1]	5.25 [133]		.707 [17.92]	.85 [21.5]	1.04 [26.5]	.71 [18]	.85 [21.5]

©2015 ROSEMOUNT, INC.  
ROSEMOUNT INCORPORATES  
THIS DRAWING AS PART OF  
THE PRODUCT OFFERED IN  
ACCORDANCE WITH  
ROSEMOUNT ENGINEERING  
SPECIFICATIONS.  
UNIT NOTES IN INCHES (mm).

REFERENCE ROSEMOUNT  
PRODUCT SHEETS FOR  
PRODUCT SPECIFICATIONS.  
CLICK HERE

3RD ANGLE  SIZE D SCALE NTS

**EMERSON**

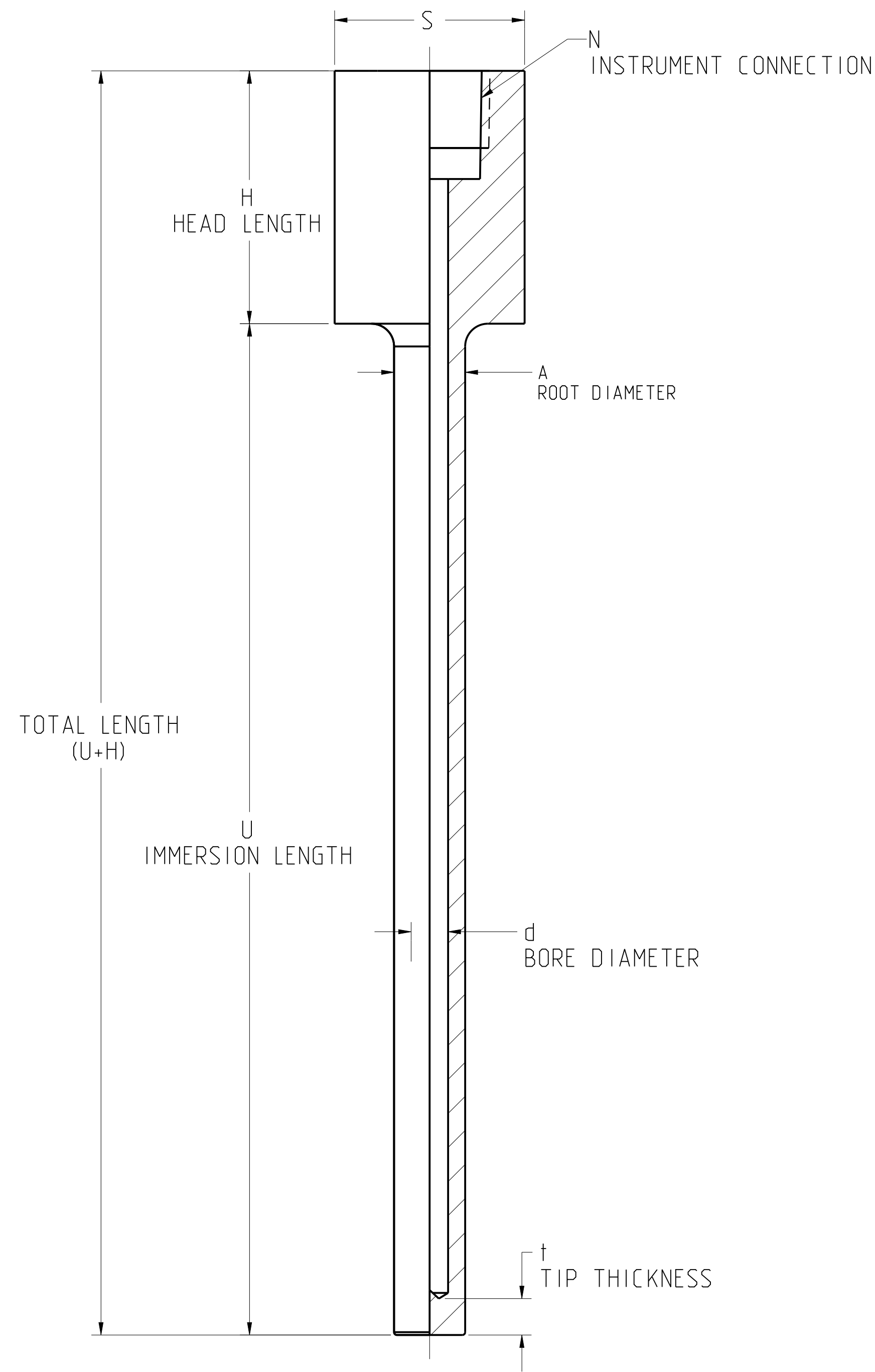
TITLE ROSEMOUNT THERMOWELLS  
TYPE I DRAWING

DR. J. ARMSTRONG 5/29/15 DRAWING NO. 00114-7000  
APP'D J. REUVERS 7/25/15

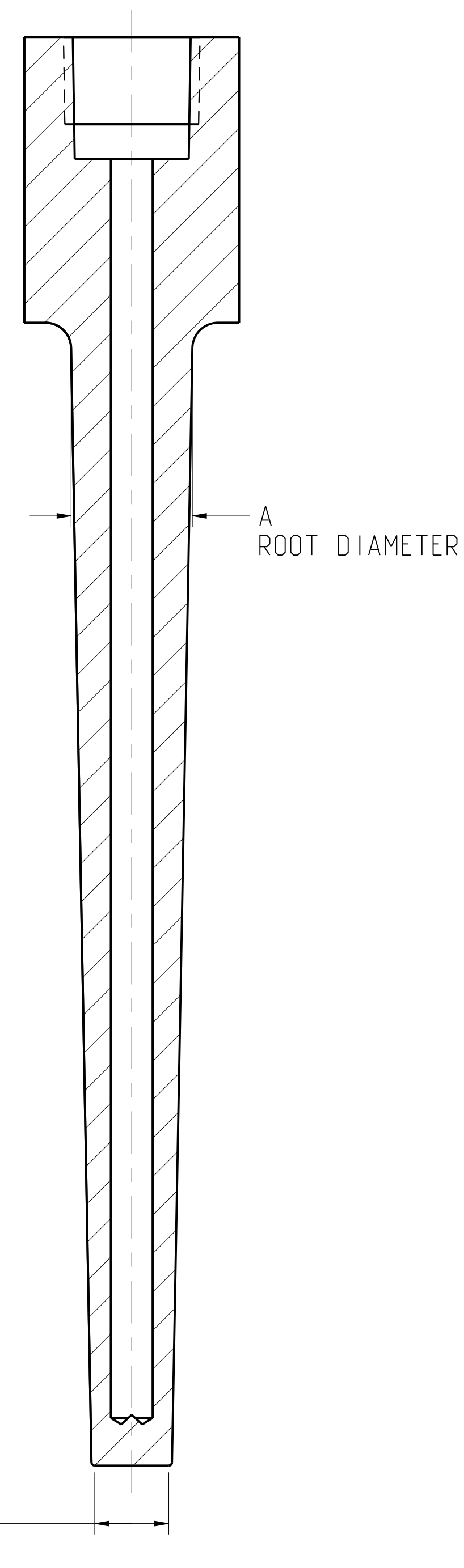
CAD MAINTAINED. (PRO/EI) SHEET 9 OF 12

ROSEMOUNT 114C BARSTOCK THERMOWELL

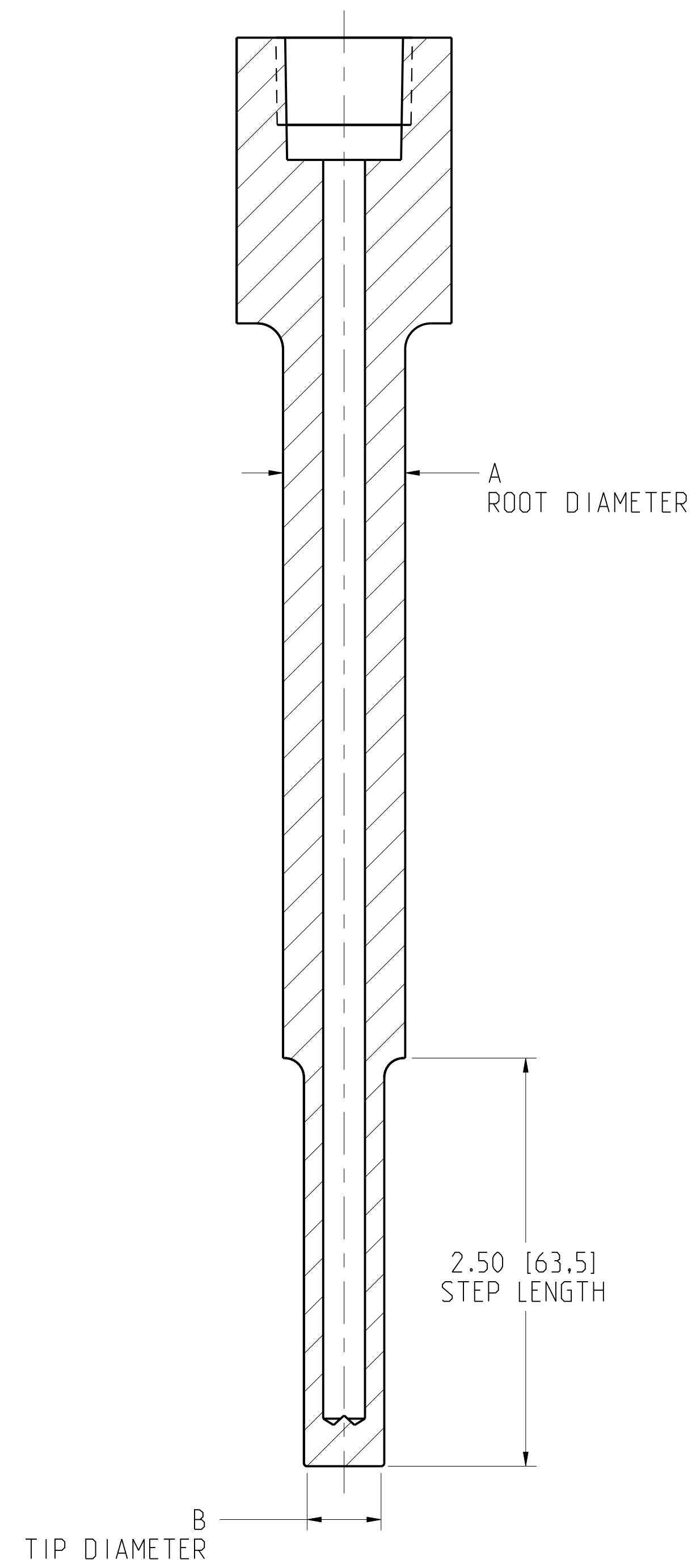
WELD MOUNT THERMOWELLS - SOCKET WELD



STRAIGHT



TAPERED



STEPPED

CODE	CODE	MOUNTING STYLE	SOCKET SIZE "ØS"	ROOT DIAMETER "ØA"	TIP DIAMETER "ØB"
	W	WELDED PROCESS CONNECTION			
AA		3/4" PIPE	1.05 [26.67]	.75 [19]	.5 [12.7]
AB		1" PIPE	1.32 [33.40]	.75 [19]	.5 [12.7]
AC		1 1/4" PIPE	1.66 [42.16]	.75 [19]	.5 [12.7]
AD		1 1/2" PIPE	1.90 [48.26]	.75 [19]	.5 [12.7]

©2015 ROSEMOUNT, INC.  
ROSEMOUNT INCORPORATES  
THIS INFORMATION IN  
ACCORDANCE WITH  
ROSEMOUNT ENGINEERING  
SPECIFICATIONS.  
UNIT NOTES IN INCHES (mm).  
REFERENCE ROSEMOUNT  
PRODUCT SPECIFICATIONS FOR  
PRODUCT SPECIFICATIONS.  
CLICK HERE

3RD ANGLE SIZE D SCALE NTS

**EMERSON**

TITLE ROSEMOUNT THERMOWELLS  
TYPE I DRAWING

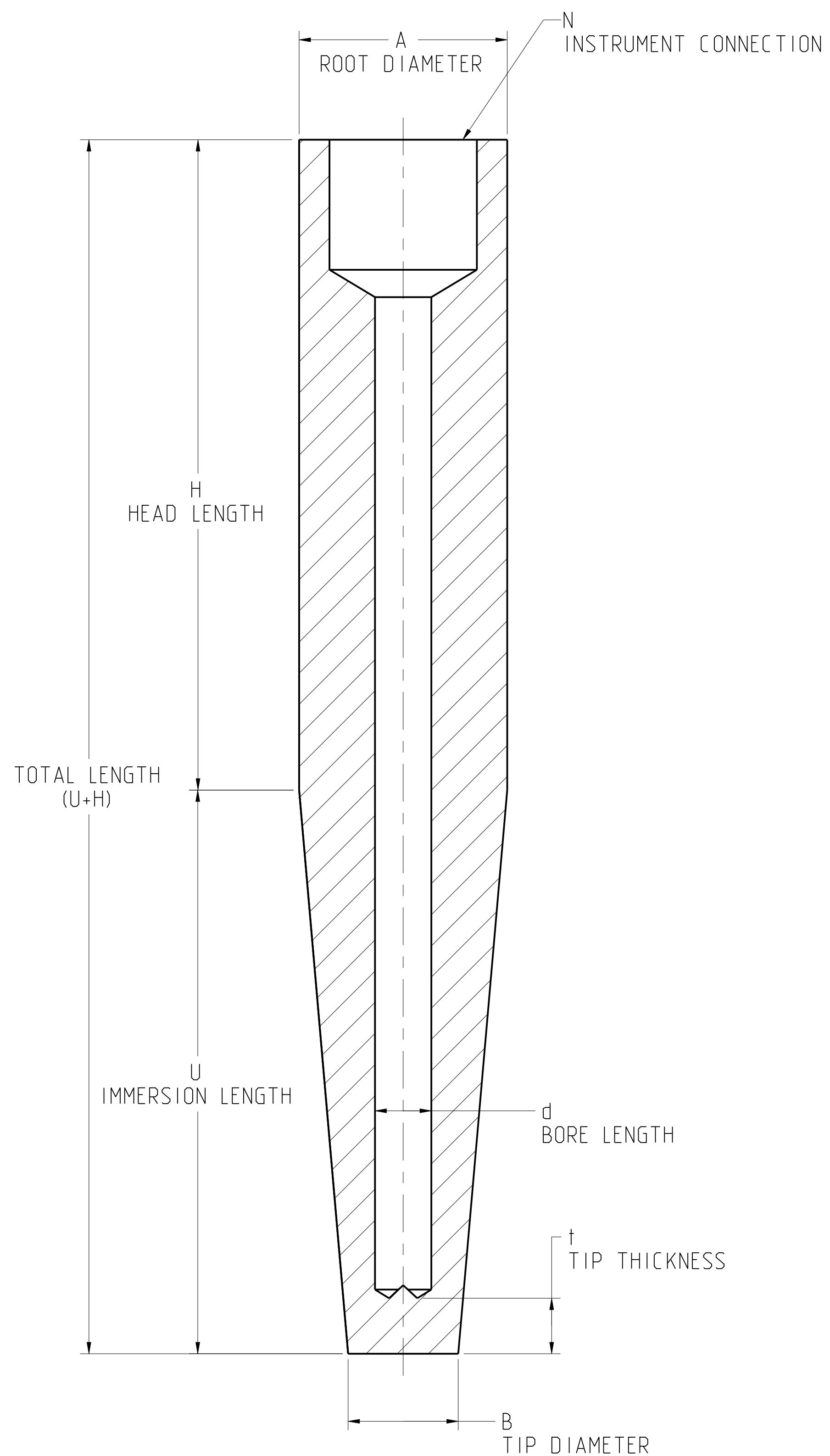
DR. J. ARMSTRONG 5/29/15 DRAWING NO. 00114-7000  
APP'D J. REUVERS 7/25/15

CAD MAINTAINED. (PRO/EI) SHEET 10 OF 12

ROSEMOUNT 114C BARSTOCK THERMOWELL

WELD MOUNT - WELD-IN THERMOWELLS

CODE	CODE	MOUNTING STYLE	ROOT DIAMETER "ØA"	TIP DIAMETER "ØB"
	D	WELDED-WELD-IN PROCESS CONNECTION		
AA		3/4" PIPE	26.67 [1.050]	19 [.748]
AB		1" PIPE	33.40 [1.315]	21.5 [.846]
AC		1 1/4" PIPE	42.16 [1.660]	26.5 [1.043]
AD		1 1/2" PIPE	48.26 [1.900]	31.75 [1.250]
AE		CUSTOM	SPECIFIED BY DESIGN MODIFIER "AXXX"	SPECIFIED BY DESIGN MODIFIER "BXXX"



©2015 ROSEMOUNT, INC.  
ROSEMOUNT INCORPORATES  
THIS DRAWING AS PART OF  
THE PRODUCT OFFERED IN  
ACCORDANCE WITH  
ROSEMOUNT ENGINEERING  
SPECIFICATIONS.  
UNIT NOTES IN INCHES (mm).

REFERENCE ROSEMOUNT  
PRODUCT SHEETS FOR  
PRODUCT SPECIFICATIONS.  
CLICK HERE

3RD ANGLE

EMERSON

TITLE ROSEMOUNT THERMOWELLS  
TYPE I DRAWING

DR. J. ARMSTRONG 5/29/15 DRAWING NO. 00114-7000

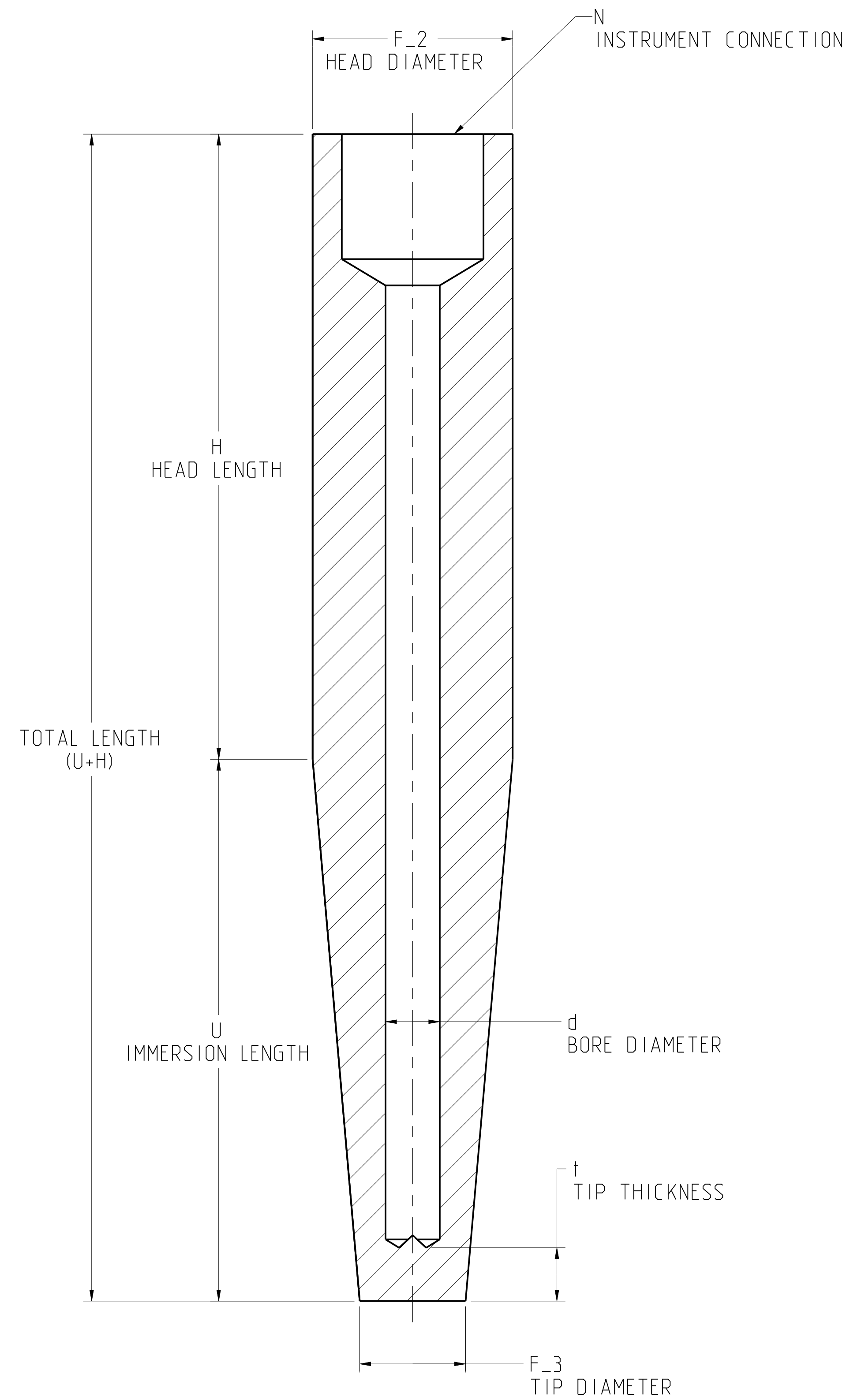
APP'D J. REUVERS 7/25/15

CAD MAINTAINED (PRO/EI) SHEET 11 OF 12

# ROSEMOUNT 114C BARSTOCK THERMOWELL

## WELD MOUNT THERMOWELLS - DIN FORM 4

CODE	CODE	MOUNTING STYLE	HEAD DIAMETER "ØF_2"	TIP DIAMETER "Ø F_3"
	D	WELDED - WELD-IN PROCESS CONNECTION		
DA	DIN 43772-4-7 (18 h7 / 3.5MM BORE / M14)		18 h7 (+0.000/-0.018MM)	9 ±0.27
DB	DIN 43772-4-7 (24 h7 / 7MM BORE / M18)		24 h7 (+0.000/-0.021MM)	12.5 ±0.38
DC	DIN 43772-4-7 (26 h7 / 7MM BORE / G1/2 OR M20)		26 h7 (+0.000/-0.021MM)	12.5 ±0.38
DD	DIN 43772-4-7 (26 h7 / 9MM BORE / G1/2 OR M20)		26 h7 (+0.000/-0.021MM)	15 ±0.38
DE	DIN 43772-4-7 (32 h11 / 11MM BORE / G3/4 OR M27)		32 h11 (+0.000/-0.160MM)	17 ±0.38
DH	CUSTOM		SPECIFIED BY DESIGN MODIFIER "AXXX" (+0.000/-0.021)	SPECIFIED BY DESIGN MODIFIER "BXXX" (±.38)



©2015 ROSEMOUNT, INC.  
ROSEMOUNT INCORPORATES  
THIS DRAWING AS PART OF  
THE PRODUCT OFFERED IN  
ACCORDANCE WITH  
ROSEMOUNT ENGINEERING  
SPECIFICATIONS.  
UNIT NOTES IN INCHES (mm).

REFERENCE ROSEMOUNT  
PRODUCT SPECIFICATIONS FOR  
PRODUCT SPECIFICATIONS.  
CLICK HERE

3RD ANGLE

EMERSON

TITLE ROSEMOUNT THERMOWELLS  
TYPE I DRAWING

DR. J. ARMSTRONG 5/29/15 DRAWING NO. 00114-7000

APP'D J. REUVERS 7/25/15

CAD MAINTAINED: (PRO/EI) SHEET 12 OF 12