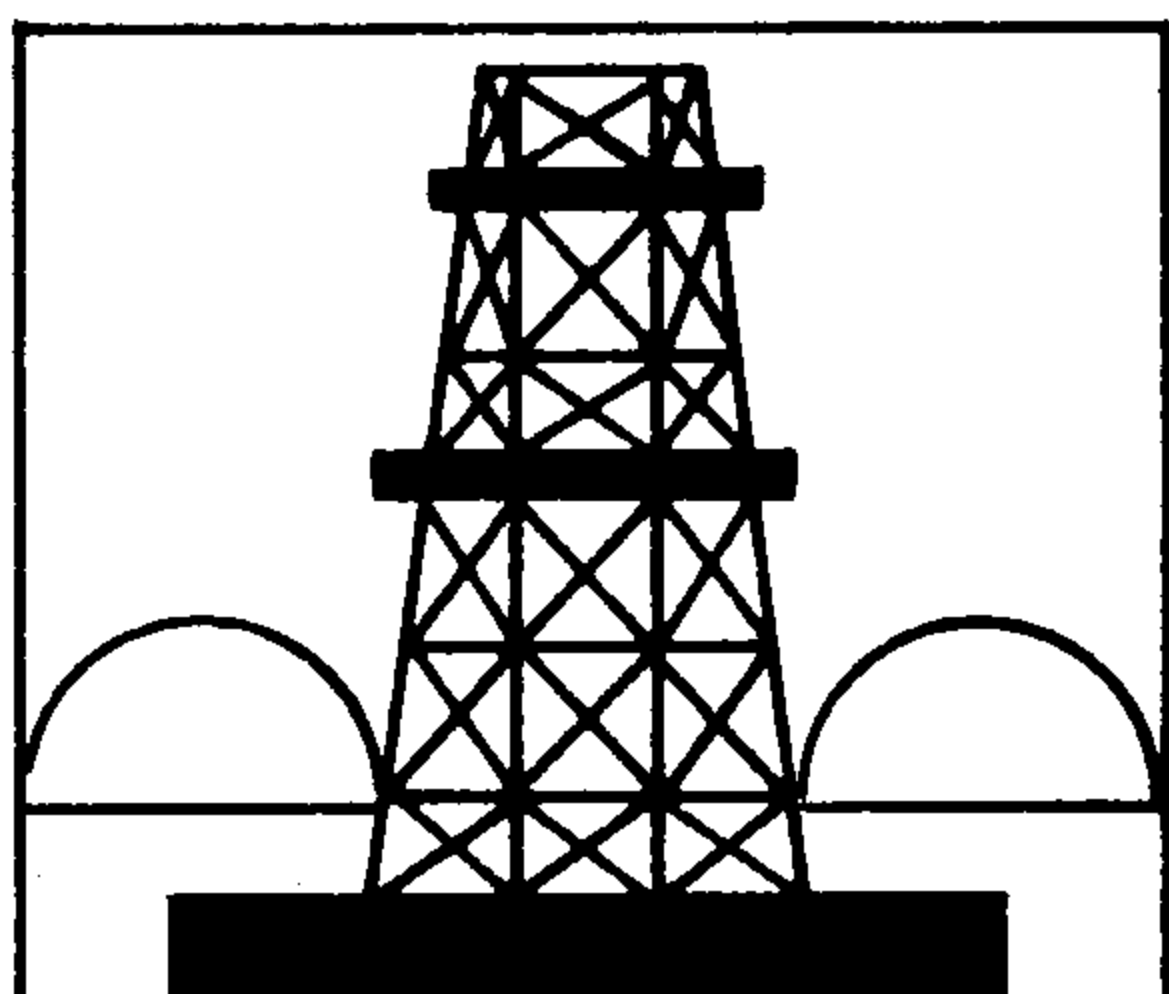
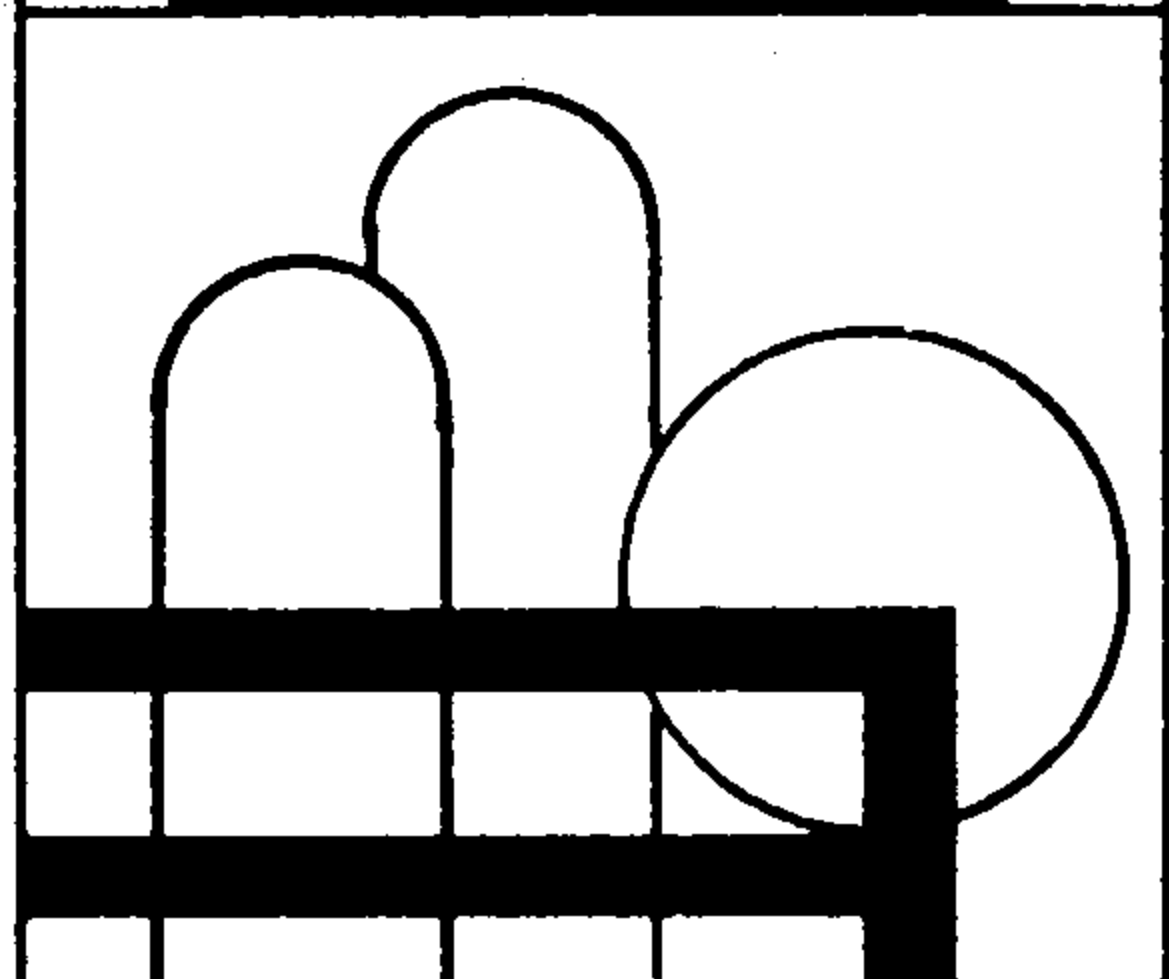


valve

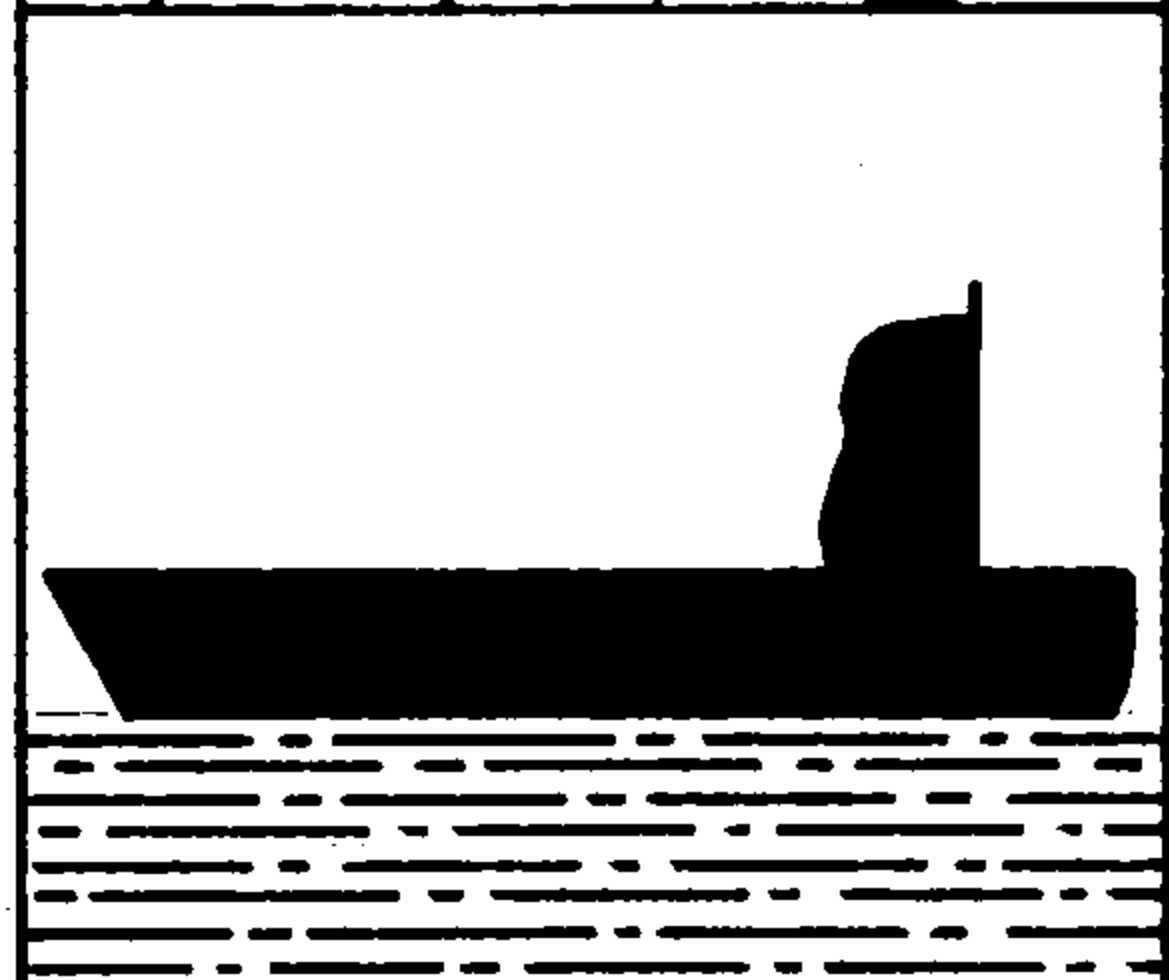
actuators



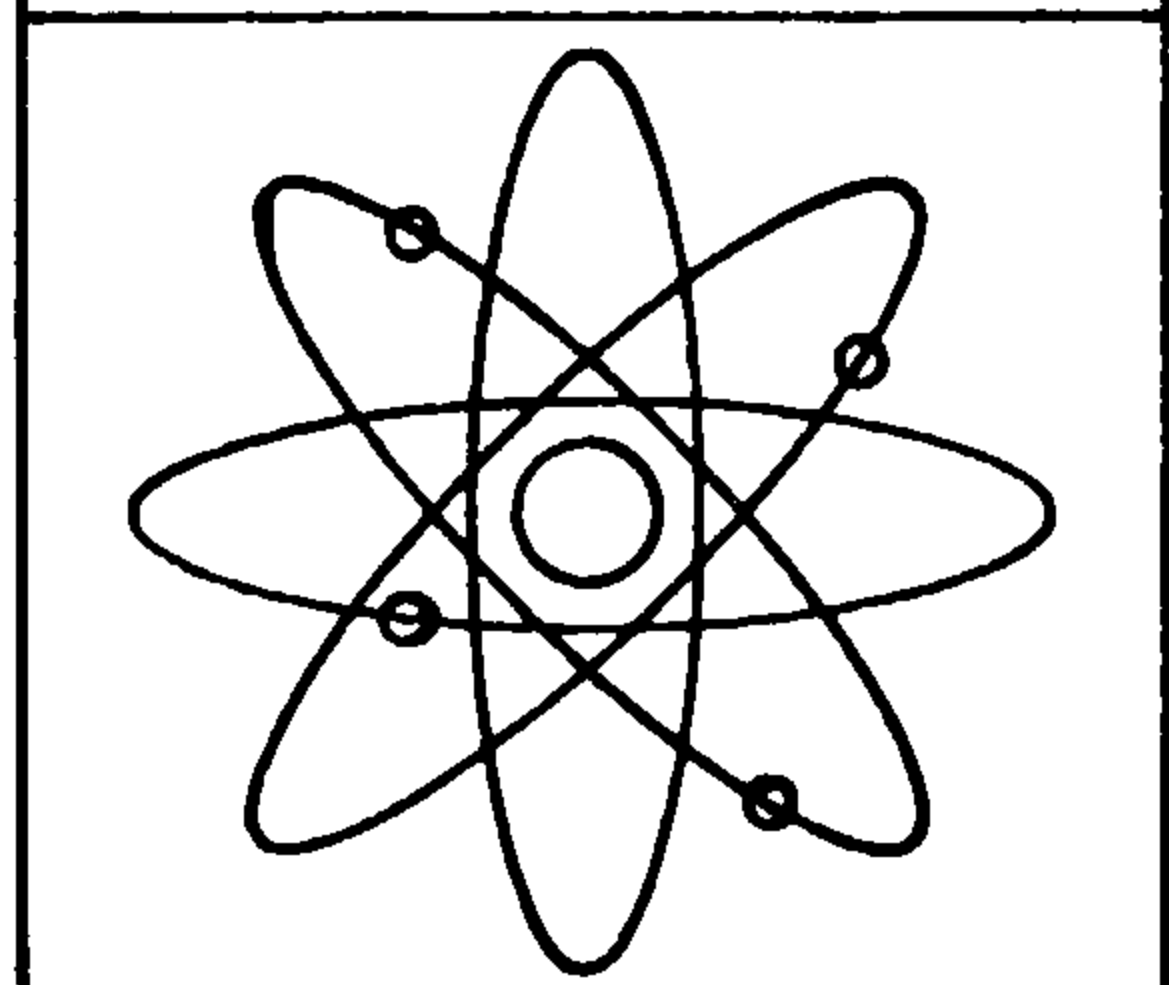
oil/gas



chemical



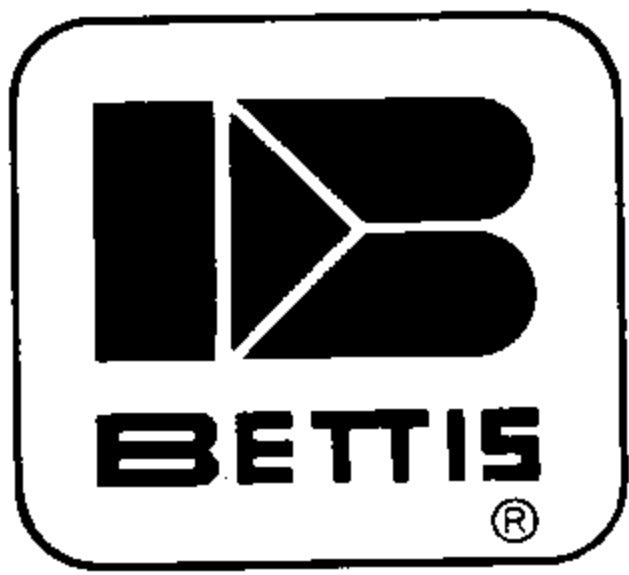
marine



nuclear

"T" SERIES

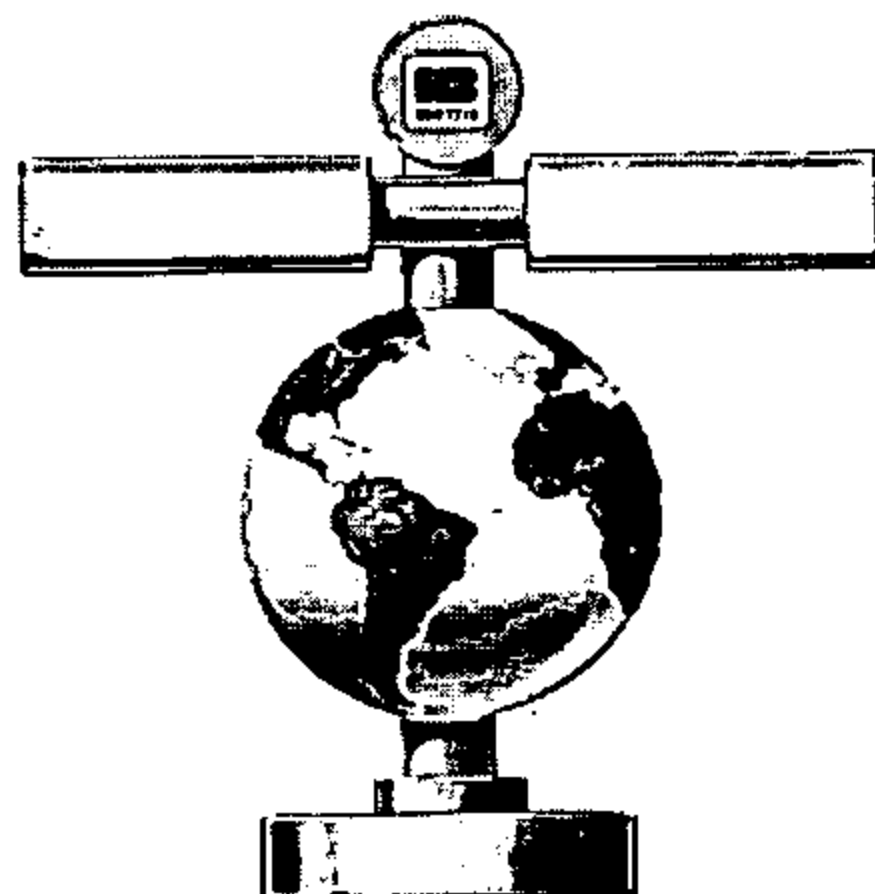




INDEX

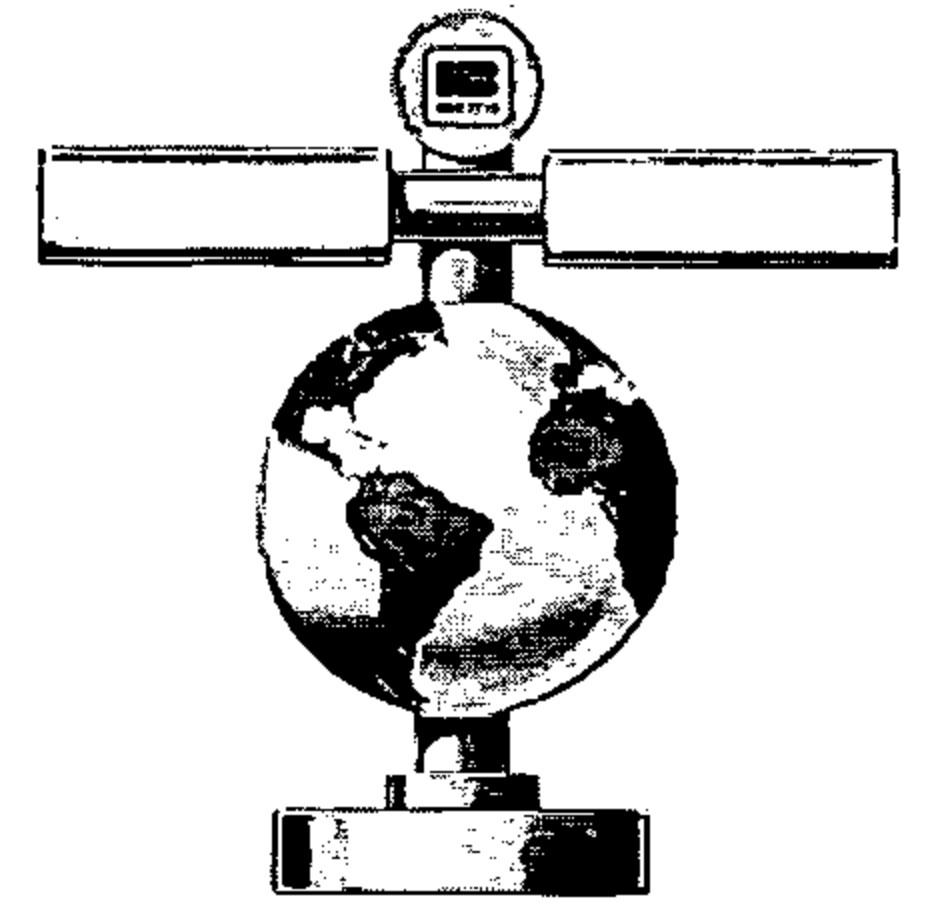
Details and technical data shown in this catalog were correct at time of printing. Due to continual improvements, equipment may vary slightly from details shown. Although extreme care has been taken in compiling this catalog, we cannot assure responsibility for errors or omissions.

CONTENTS	PAGE
GENERAL INFORMATION	1
TORQUE CHART	2
DOUBLE ACTING UNITS	
T-3B DOUBLE ACTING, T-4B DOUBLE ACTING	3
T-5B DOUBLE ACTING, T-8B DOUBLE ACTING	4
T-3B-H W/M4 A HYDRAULIC MANUAL CONTROL	5
T-4B-H W/M4 A HYDRAULIC MANUAL CONTROL	5
T-5B-H W/M4 A HYDRAULIC MANUAL CONTROL	6
T-8B-H W/M4 A HYDRAULIC MANUAL CONTROL	6
T-3B MANUAL	7
SPRING RETURN UNITS	
T-3B SPRING RETURN, T-4B SPRING RETURN	8
T-5B SPRING RETURN, T-8B SPRING RETURN	9
T-3B-SR-M3 (JACKSCREW), T-4B-SR-M3 (JACKSCREW)	10
T-3B-SR-H W/M7A HYDRAULIC CONTROL	11
T-4B-SR-H W/M7A HYDRAULIC CONTROL	11
T-5B-SR-H W/M7A HYDRAULIC CONTROL	12
T-8B-SR-H W/M7A HYDRAULIC CONTROL	12
ACTUATOR DATA	13
DISPLACEMENT PER STROKE	
APPROX. WEIGHT (LBS)	
MAX. TORQUE (IN LBS)	
MAX. WORKING PRESS. (PSIG.)	
MAX. ALLOWABLE WORKING PRESSURE	
MANUAL CONTROL	13
OTHER BETTIS PRODUCTS	BACK COVER





“T” - SERIES ROBOTARM ACTUATOR



The Bettis “T” Series Robotarm actuator is a superior cylinder-type actuator for pneumatic or hydraulic service. Its proven highly efficient design features, the “Guided Track” and the “Guided Piston” provide positive on-off and precise valve positioning service. These rugged, compact and economical actuators provide a reliable method for opening and closing valves without the need of expensive gearing or complicated motor-driven devices.

FEATURES

BODY —All “T” Series actuators have a totally enclosed housing, providing complete protection for all moving parts and eliminates the chance of injury to operating personnel. A special vent fitting has been incorporated in the housing cover to eliminate any possible housing pressurization resulting from thermal expansion or other cause. External field adjustable body stops are provided to insure proper valve opening and closing and eliminates unnecessary load on the valve stops.

INTERNAL TIE-BAR CONSTRUCTION — Eliminates piston scrubbing against the cylinder wall, resulting in longer service life and low maintenance.

GUIDED TRACK DESIGN — Increases efficiency by reducing friction and side loads, resulting in a lighter more compact unit, supplying higher torque outputs at lower operating pressures.

MODELS AND SIZES — “T” Series actuators are available for torque outputs up to 450,000 inch-pounds in double acting units and 177,000 inch-pounds end torque in spring return units.

SERVICE TEMPERATURES — “T” Series actuators are designed to operate from -20°F. to +200°F. Special seals and lubricants are available for temperatures beyond these limits.

PERMANENT LUBRICATION — All wear surfaces and moving parts are permanently lubricated with a special heat cured molybdenum disulfide and resin coating process. Cylinder walls are also lined with a heat cured solid film lubricant and corrosion resistant coating to reduce “break away” friction. All wear surfaces are generously coated with quality lubricants applied during assembly. External grease fittings are provided for lubricating the upper and lower yoke bearings without having to disassemble the actuator for normal routine maintenance.

POSITIVE FAIL-SAFE SPRING RETURN ACTUATORS — Spring return “T” Series actuators provide positive operation where absolute emergency shut-down is imperative. These units may be assembled to either “fail-open” or “fail-close” on loss of operating pressures, as required. These actuators are equipped with “Service-Safe” spring cartridges which makes it easy to service the actuators in the field without danger to personnel or the use of special equipment.



ROBOTARM[®] VALVE ACTUATORS

TORQUE OUTPUT

ALL PUBLISHED TORQUES ARE GUARANTEED MINIMUM VALUES

DOUBLE ACTING

ACTUATOR MODEL	TORQUE OUTPUT INCH-LBS.	OPERATING PRESSURE — LBS./SQ. INCH												
		40	50	60	70	80	90	100	125	150	175	200	225	250
T-310	BREAK	14700	18400	22100	25800	29500	33100	36800	46000	55200				
	RUNNING	8100	10100	12100	14100	16200	18200	20200	25300	30300				
T-312	BREAK	20100	26100	31400	36600	41800	47000	52300						
	RUNNING	11600	14500	17400	20400	23300	26200	29100						
T-410	BREAK	20700	25800	31000	36200	41300	46500	51700	64500	77500	90400	103000		
	RUNNING	11100	13800	16600	19400	22200	25900	28700	34600	41600	50200	57000		
T-412	BREAK	29700	37100	44500	52000	59400	66800	74300	94000	111000				
	RUNNING	16500	20600	24800	28900	33000	37100	41300	51600	62000				
T-416	BREAK	47800	59800	71800	83700	95800	107700							
	RUNNING	26600	33300	40000	46600	53200	59800							
T-516	BREAK	63000	78700	94500	110000	126000	141000	157000	197000					
	RUNNING	35000	43700	52400	61200	70000	78500	87300	109000					
T-520	BREAK	100000	125000	150000	175000	200000	225000							
	RUNNING	55600	69500	83400	97200	110000	125000							
T-816	BREAK	99000	124000	148500	173500	198000	223000	248000	310000	371000	432500			
	RUNNING	55000	69000	82500	96500	110000	124000	137500	172000	206000	240200			
T-820	BREAK	157500	197000	236000	276000	315000	354000	394000						
	RUNNING	87500	109500	131000	153000	175000	197000	219000						

CONSULT FACTORY FOR ACTUATORS CAPABLE OF PRODUCING TORQUES GREATER THAN 400,000 IN./LBS.

SPRING RETURN

		OPERATING PRESSURE — LBS./SQ. INCH												
		40	50	60	70	80	90	100	125	150	175	200	225	250
T-310-SR	ENDING		5	5	5	4	4	4	3	2	2	1	1	1
			1,470	5,170	5,510	7,630	9,570	9,570	13,400	20,200	20,200	21,600	28,100	28,100
T-312-SR	ENDING	5	5	4	4	3	3	2	2	1	1	1		
		4,150	5,510	9,570	9,570	13,400	13,400	19,000	20,200	27,000	28,100	28,100		
T-316-SR	ENDING	4	3	2	2	2	1	1	1					
		9,570	13,400	17,000	20,200	20,200	24,000	28,100	28,100					
T-410-SR	ENDING							5	4	3	3	3	2	2
								13,200	18,300	24,500	29,400	29,400	31,800	41,300
T-412-SR	ENDING				5	5	4	3	3	3	2	1		
					13,300	13,300	19,900	20,800	29,400	29,400	41,300	46,300		
T-416-SR	ENDING	5	5	4	3	3	3	2	1					
		8,800	13,300	19,900	29,400	29,400	29,400	34,000	46,600					
T-420-SR	ENDING	4	3	3	2	1								
		19,900	29,400	29,400	41,300	48,500								
T-516-SR	ENDING				4	3	3	3	2	2	1	1	1	
					39,900	48,000	48,000	48,000	66,200	81,600	92,500	111,000	111,000	
T-520-SR	ENDING	4	3	3	3	2	2	2	1	1				
		35,100	48,000	48,000	48,000	69,000	81,500	81,500	111,000	111,000				
T-816-SR	ENDING				5	5	5	5	4	3	3	2	2	2
					59,600	63,300	63,300	63,300	95,600	129,000	129,000	172,000	177,000	177,000
T-820-SR	ENDING	5	5	5	4	4	3	3	2	2				
		43,000	63,300	63,300	86,100	95,500	129,000	129,000	167,000	177,000				

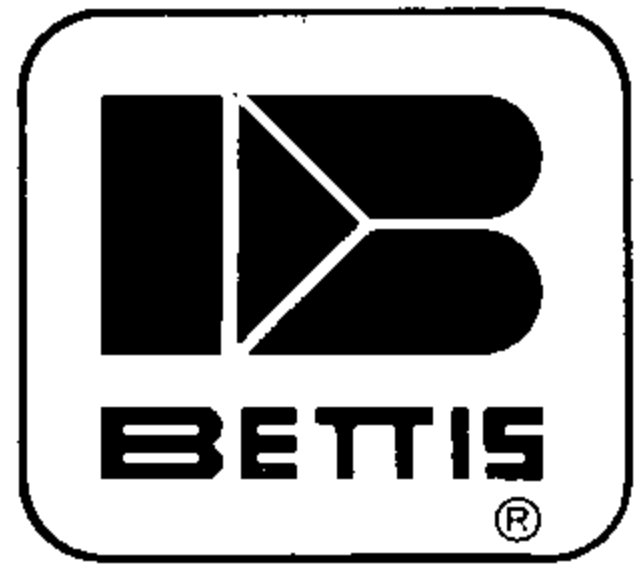
CONSULT FACTORY FOR SPRING RETURN ACTUATORS CAPABLE OF PRODUCING ENDING TORQUES IN EXCESS OF 177,000 IN./LBS.

*LEGEND

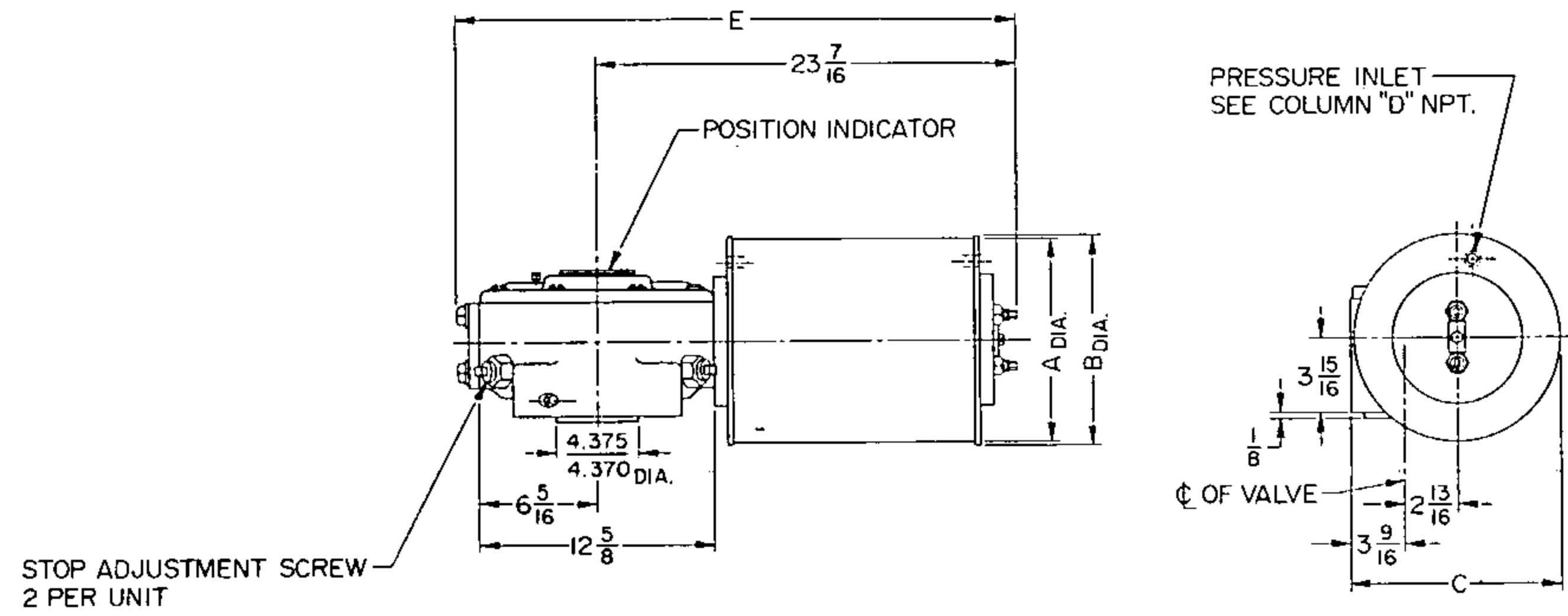
5

 NUMBER IN SMALL SQUARE IS SPRING SIZE AND MUST BE SPECIFIED.
EXAMPLE: T-816-SR5

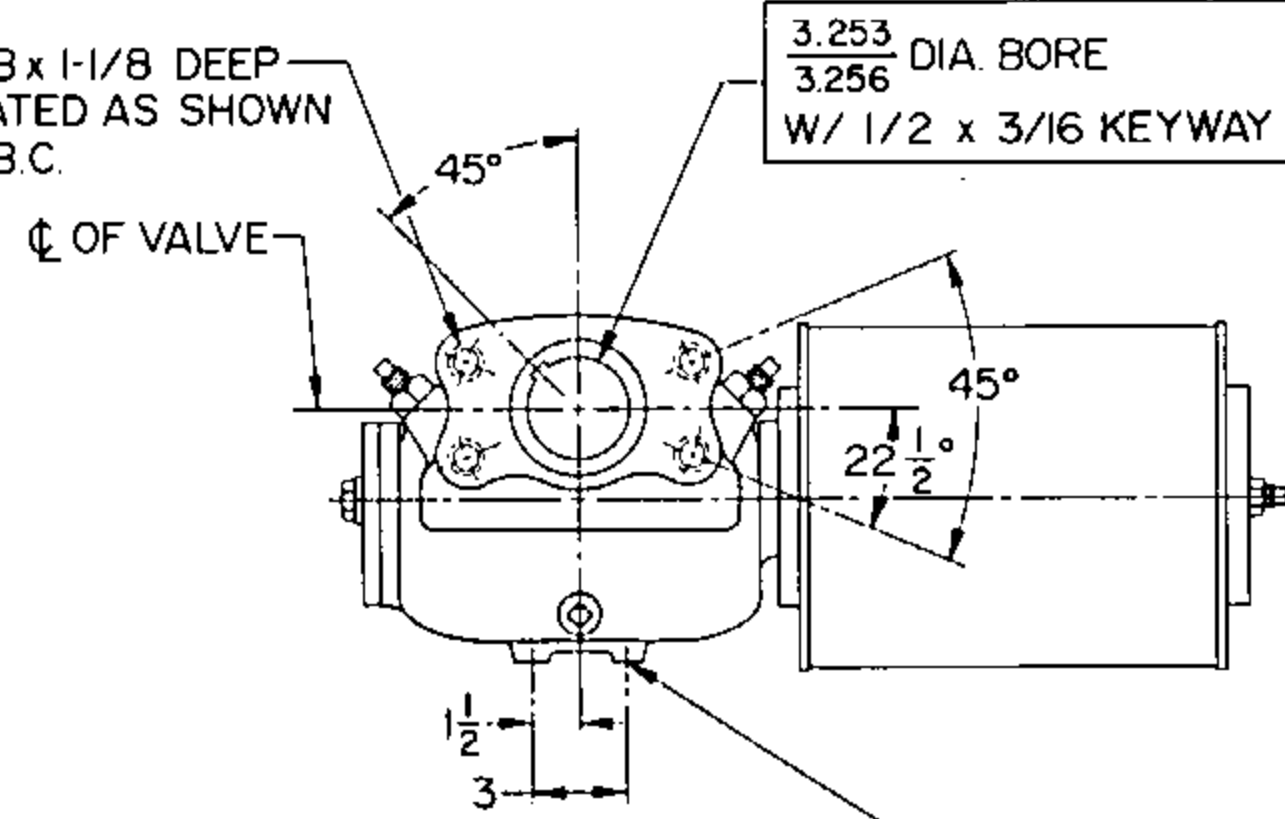
All "T" Series Actuators listed in this Bulletin are designed and manufactured to rigid standards to insure maximum efficiency. Bettis Corporation certifies that the Torque Output Values published above represent true, tested and measured torque capabilities. When you purchase a Bettis Actuator you can be certain that your Actuator will develop the published torque. A properly maintained Actuator will continue to produce the advertised torques after a long service life.



T-3B DOUBLE ACTING



7/8-9 UNC-2B x 1-1/8 DEEP
4 HOLES LOCATED AS SHOWN
ON 7-1/2 DIA. B.C.

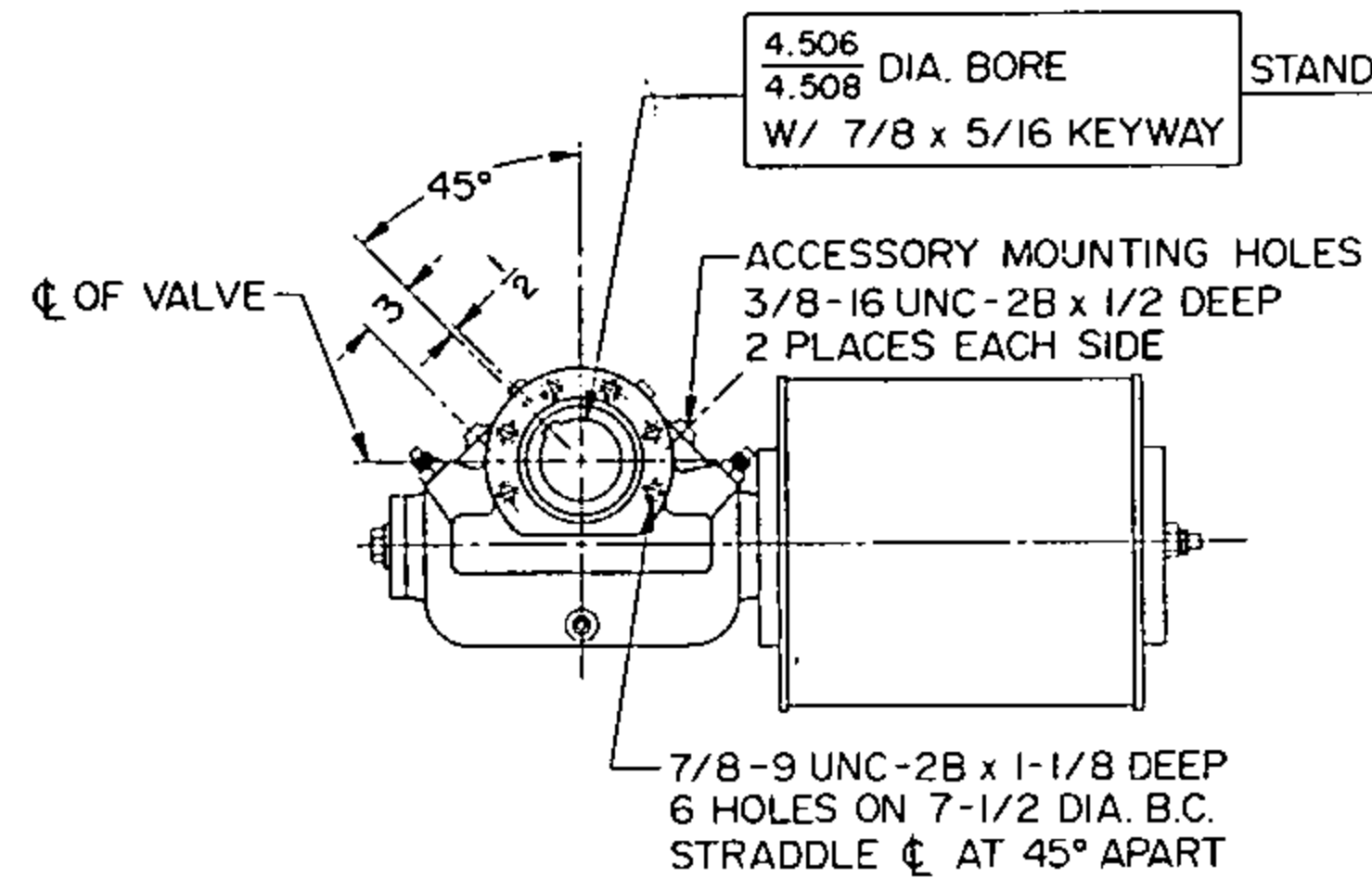
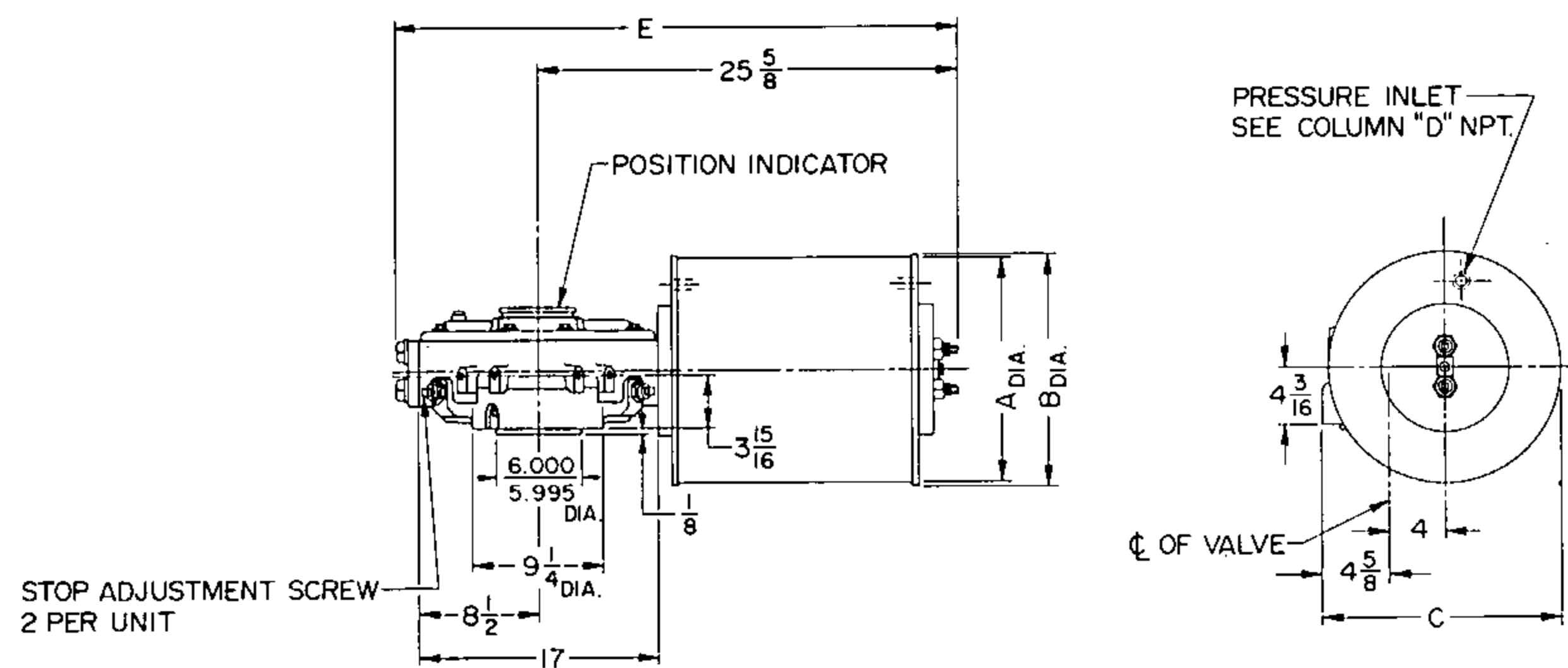


NOTE:
ACTUATOR SHOWN IN FULL CW POSITION
(WHEN VIEWED FROM TOP OF UNIT).

ACCESSORY MOUNTING HOLES
3/8-16 UNC-2B x 7/16 DEEP 2 PLACES
LOCATED 1/4 BELOW ACTUATOR CL.

MODEL	A	B	C	D	E
T-310B	10-3/4	11	11-7/8	1/2	30-15/16
T-312B	12-3/4	13	12-7/8		

T-4B DOUBLE ACTING

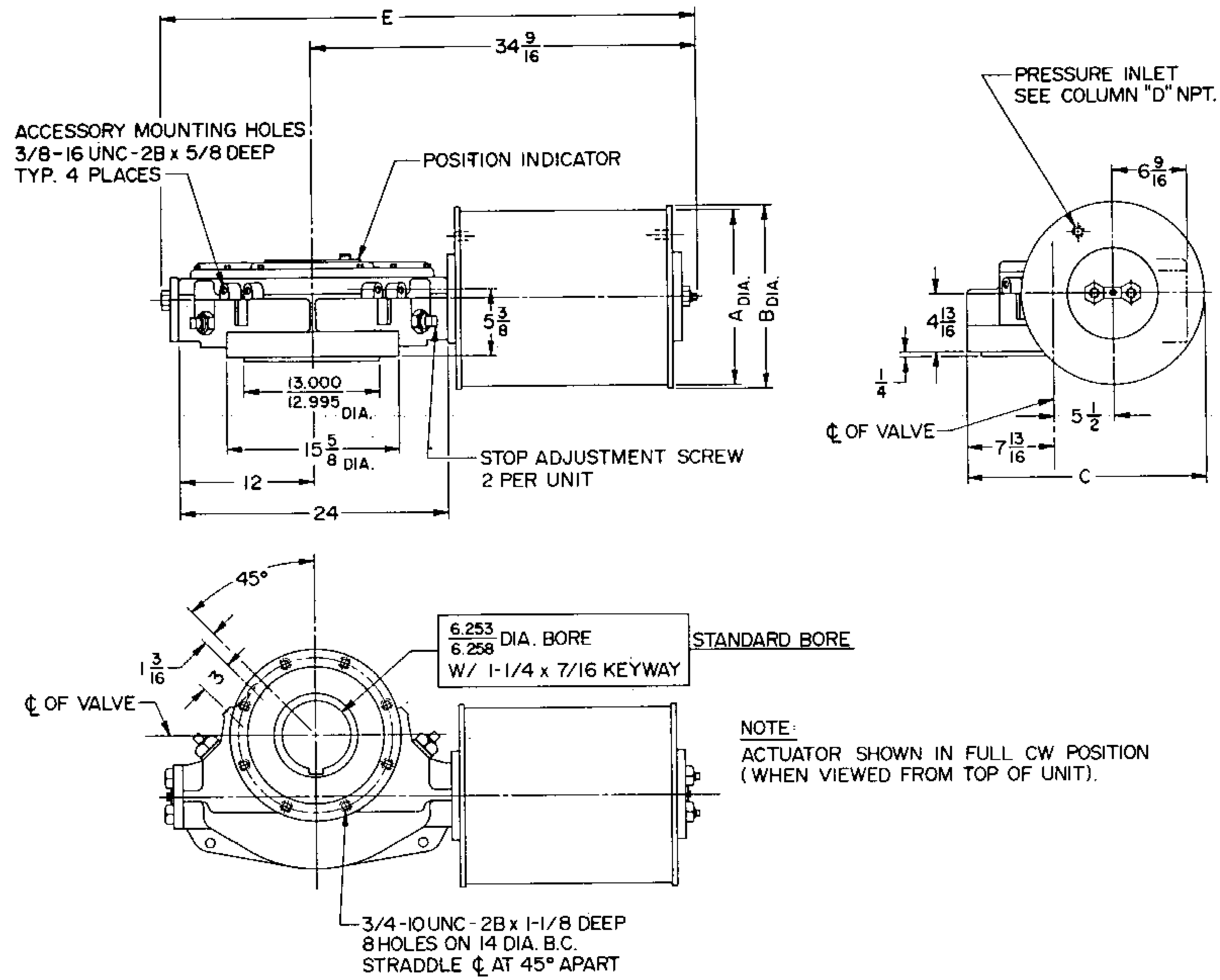


NOTE:
ACTUATOR SHOWN IN FULL CW POSITION
(WHEN VIEWED FROM TOP OF UNIT).

MODEL	A	B	C	D	E
T-410B	10-3/4	11	14-1/8	1/2	35-5/16
T-412B	12-3/4	13	15-1/8	1/2	
T-416B	16	16-1/4	16-3/4	3/4	

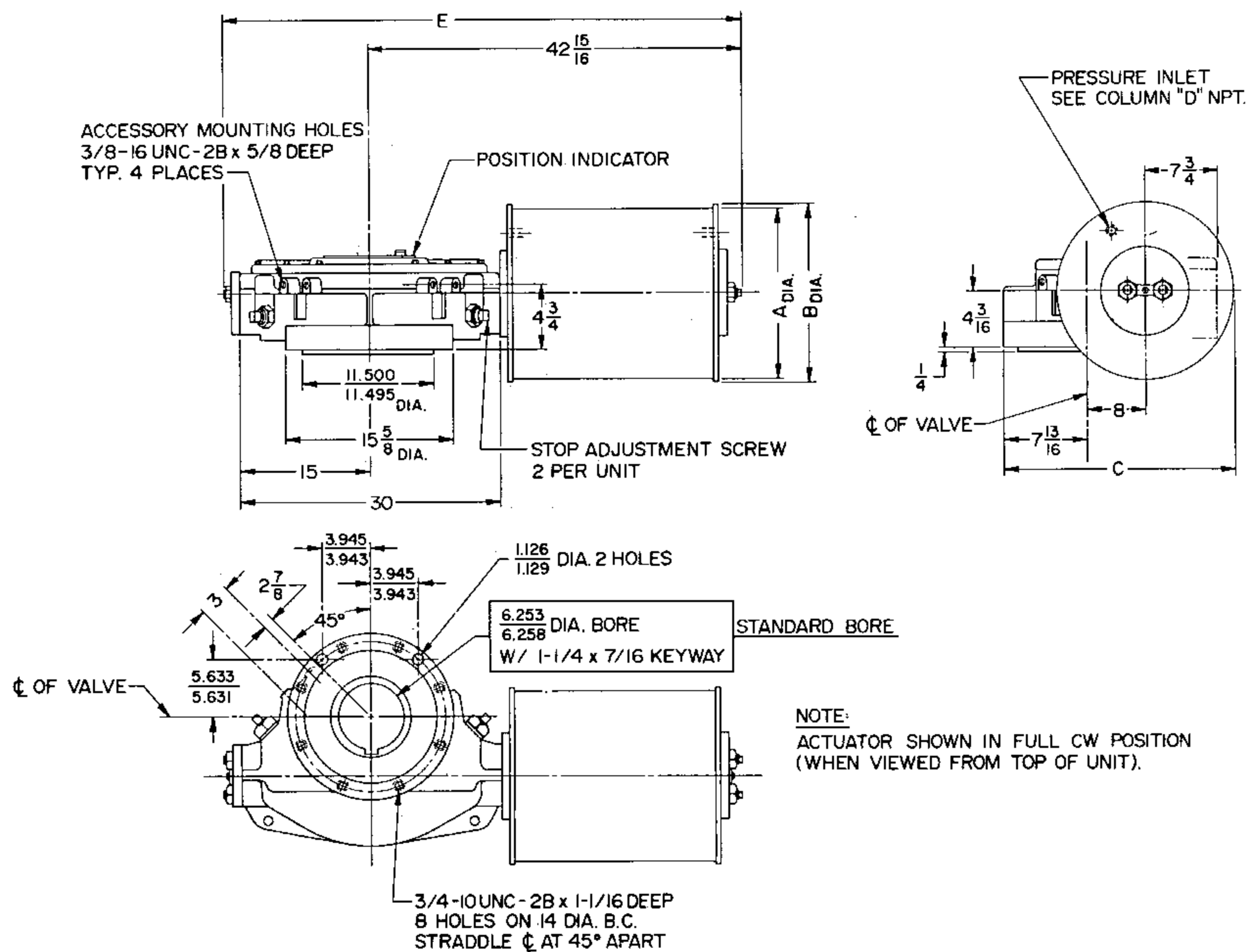


T-5B DOUBLE ACTING



MODEL	A	B	C	D	E
T-516B	16	16-1/4	21-7/16	3/4	47-3/4
T-520B	20	20-1/4	23-7/16		

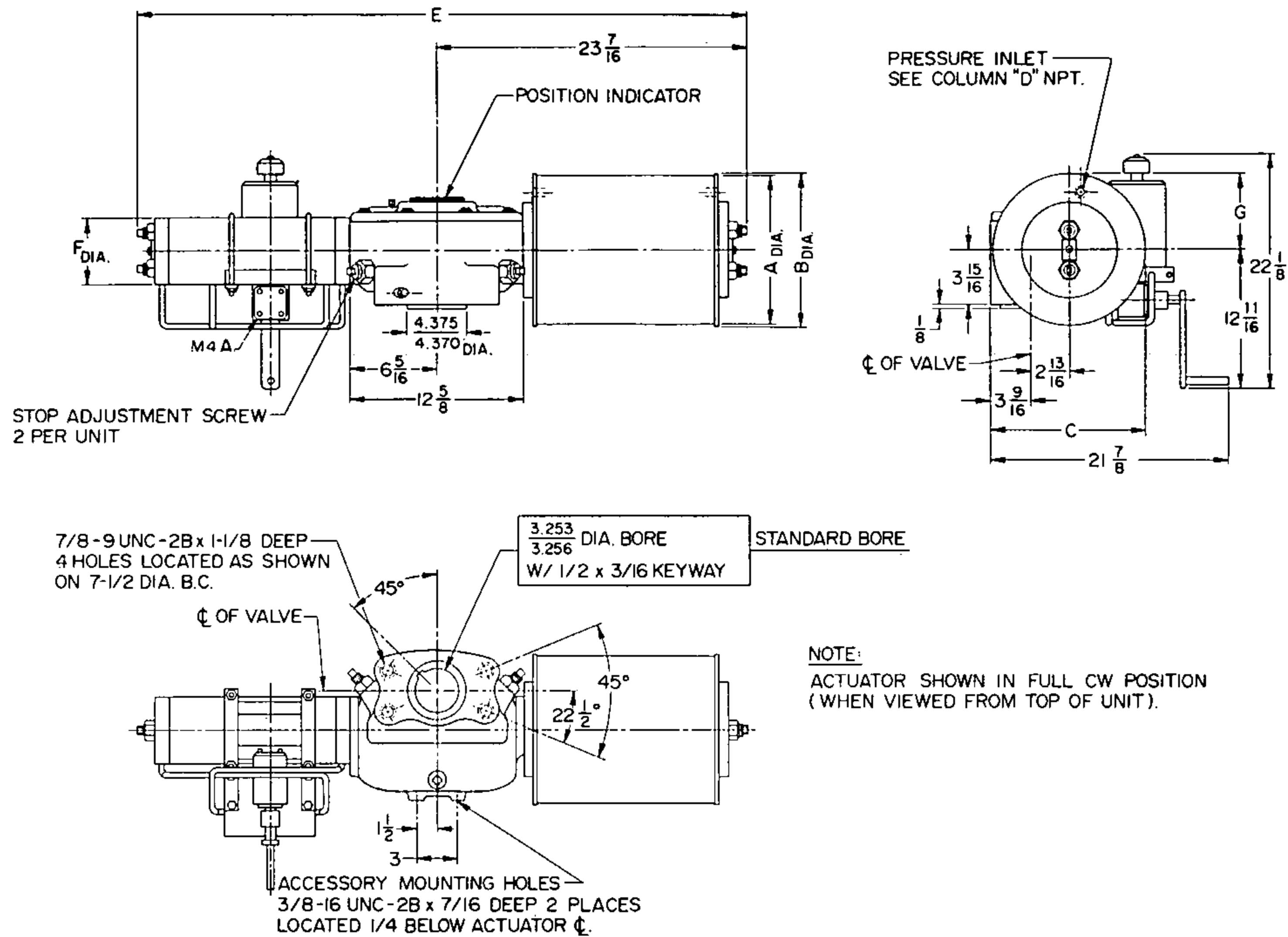
T-8B DOUBLE ACTING



MODEL	A	B	C	D	E
T-816B	16	16-1/4	23-15/16	3/4	60
T-820B	20	20-1/4	25-15/16		

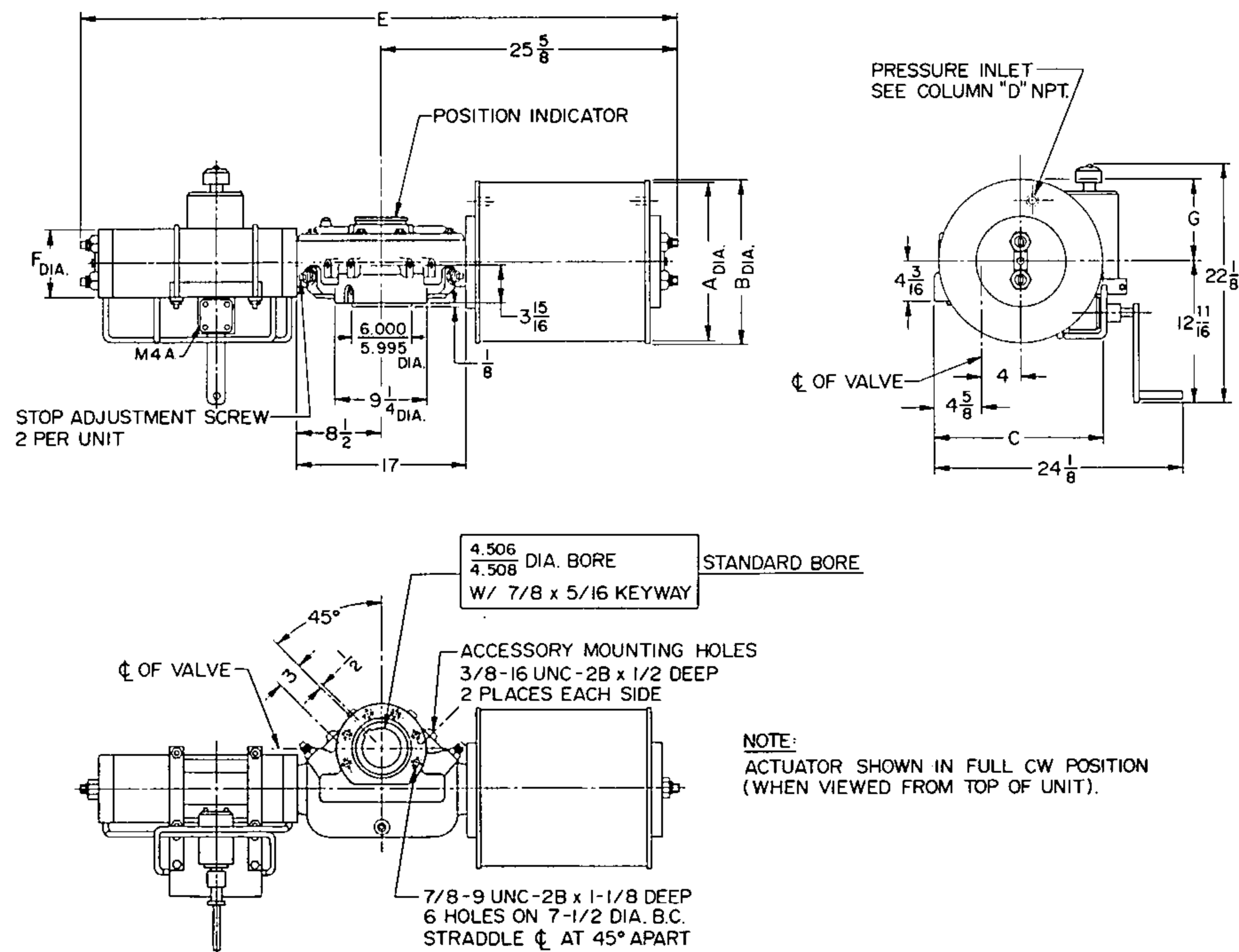


T-3B-H W/M4A HYDRAULIC MANUAL CONTROL



MODEL	A	B	C	D	E	F	G
T-310B	10-3/4	11	11-7/8	1/2	46-7/8	5-3/4	5-1/2
T-312B	12-3/4	13	12-7/8				6-1/2

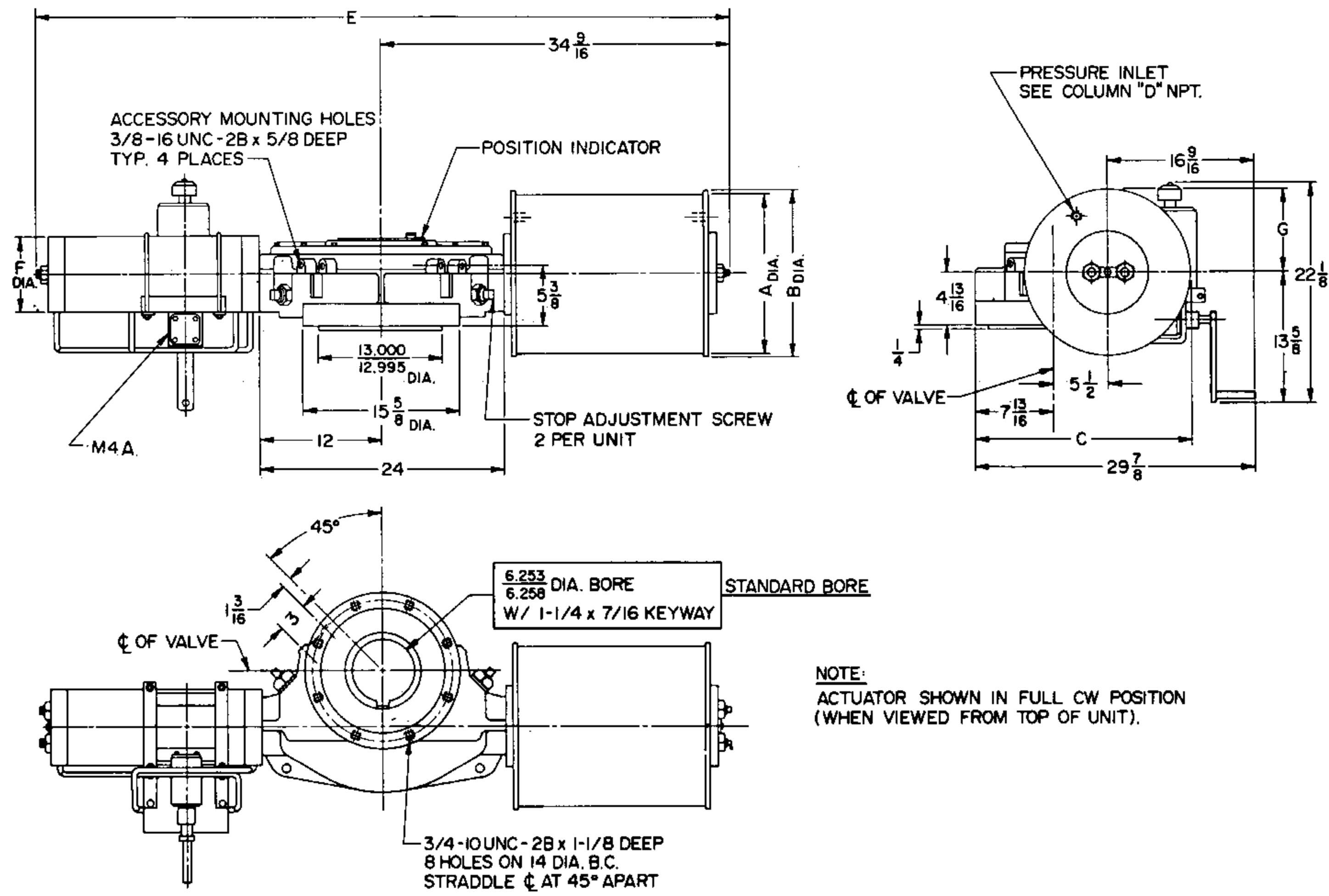
T-4B-H W/M4A HYDRAULIC MANUAL CONTROL



MODEL	A	B	C	D	E	F	G
T-410B	10-3/4	11	14-1/8	1/2	51-1/4	5-3/4	5-1/2
T-412B	12-3/4	13	15-1/8	1/2			6-1/2
T-416B	16	16-1/4	16-3/4	3/4			8-1/8

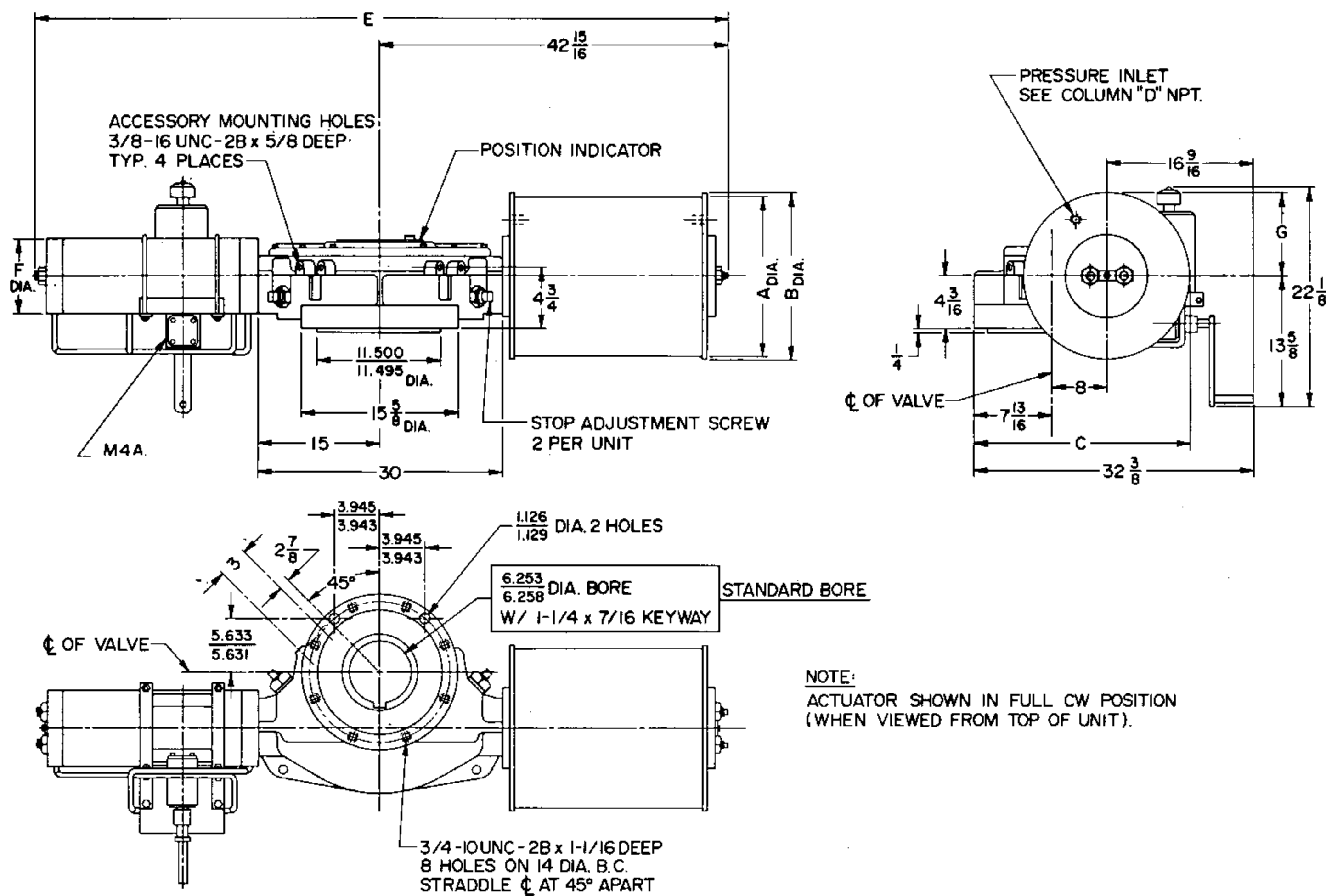


T-5B-H W/M4A HYDRAULIC MANUAL CONTROL



MODEL	A	B	C	D	E	F	G
T-516B	16	16-1/4	21-7/16	3/4	69-1/8	7-3/4	8-1/8
T-520B	20	20-1/4	23-7/16				10-1/8

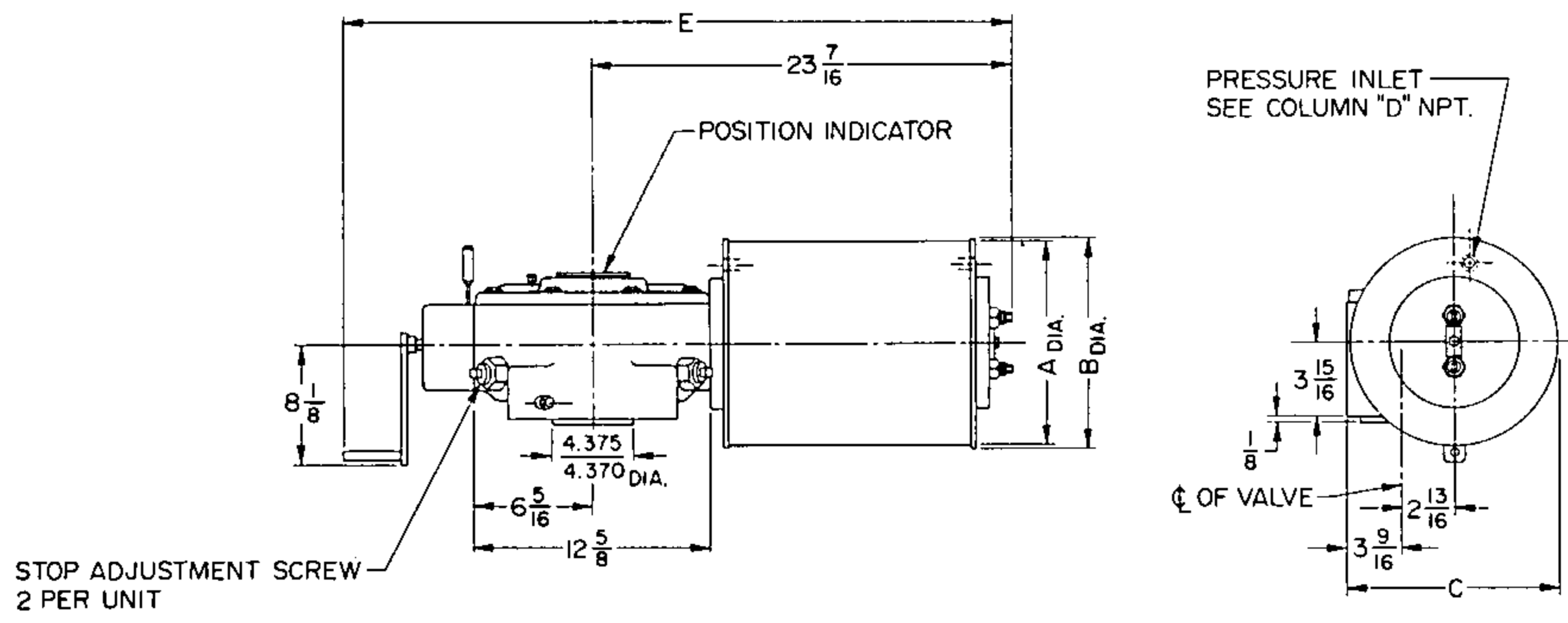
T-8B-H W/M4A HYDRAULIC MANUAL CONTROL



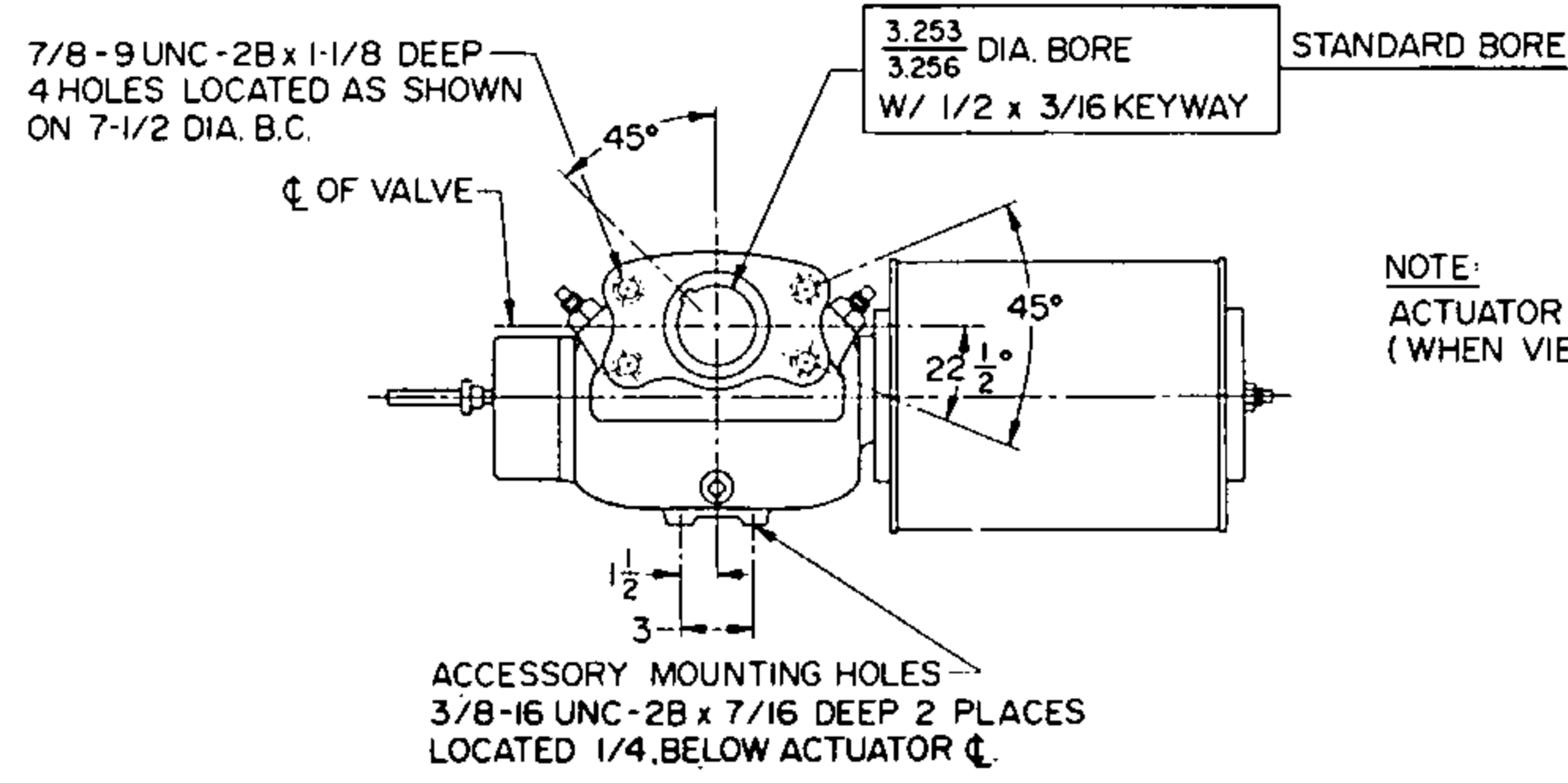
MODEL	A	B	C	D	E	F	G
T-816B	16	16-1/4	23-15/16	3/4	85-13/16	7-3/4	8-1/8
T-820B	20	20-1/4	25-15/16				10-1/8



T-3B MANUAL



STOP ADJUSTMENT SCREW
2 PER UNIT

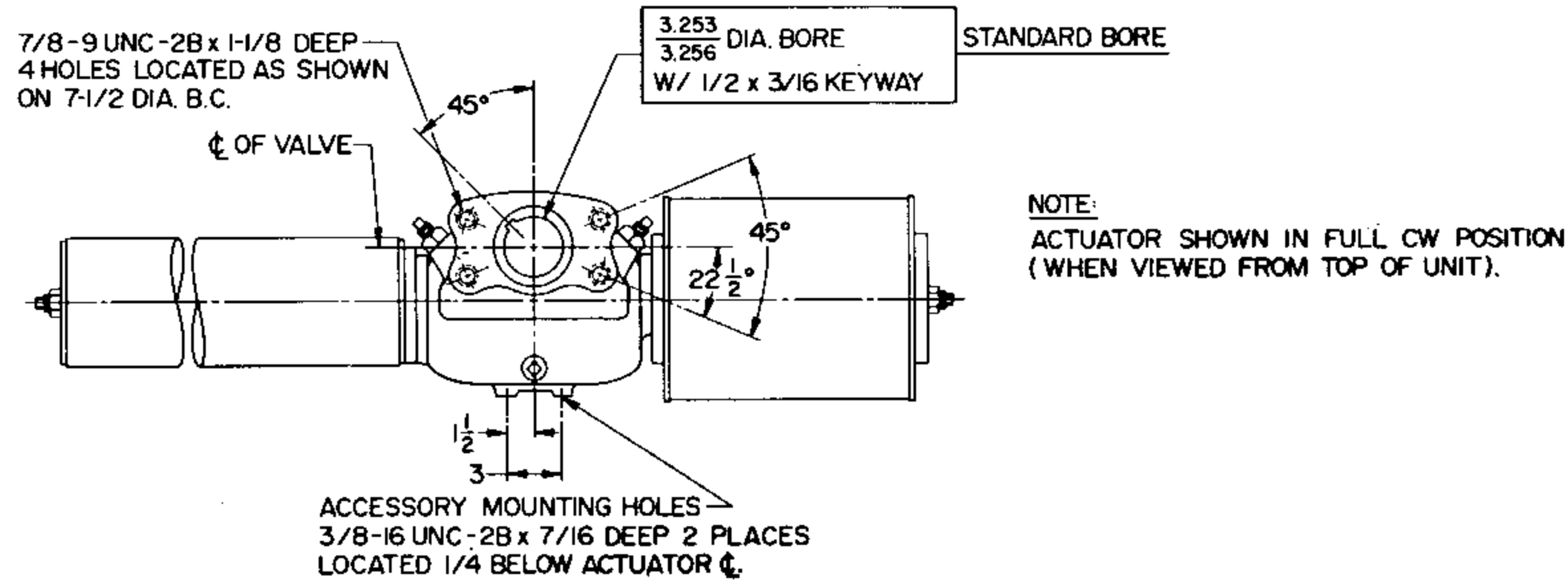
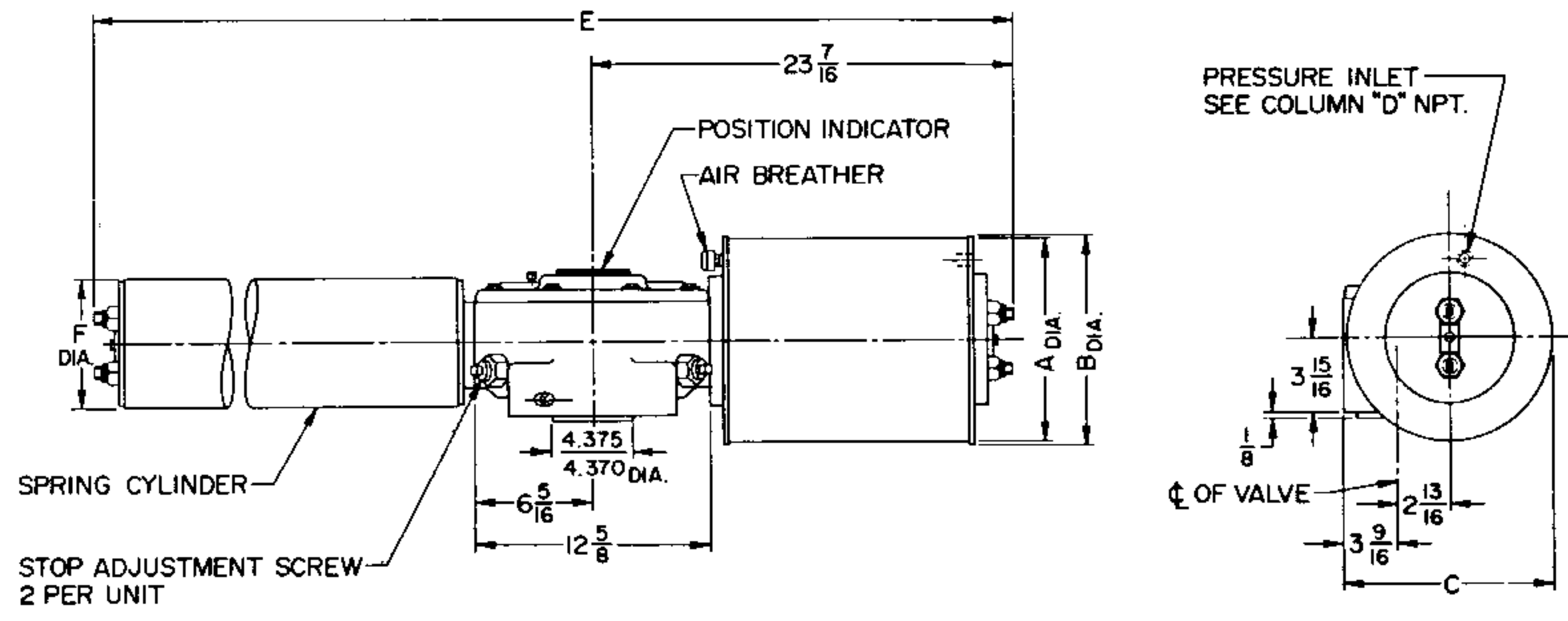


NOTE:
ACTUATOR SHOWN IN FULL CW POSITION
(WHEN VIEWED FROM TOP OF UNIT).

MODEL	A	B	C	D	E
T-310 B-M	10-3/4	11	11-7/8	1/2	37-1/4
T-312 B-M	12-3/4	13	12-7/8		

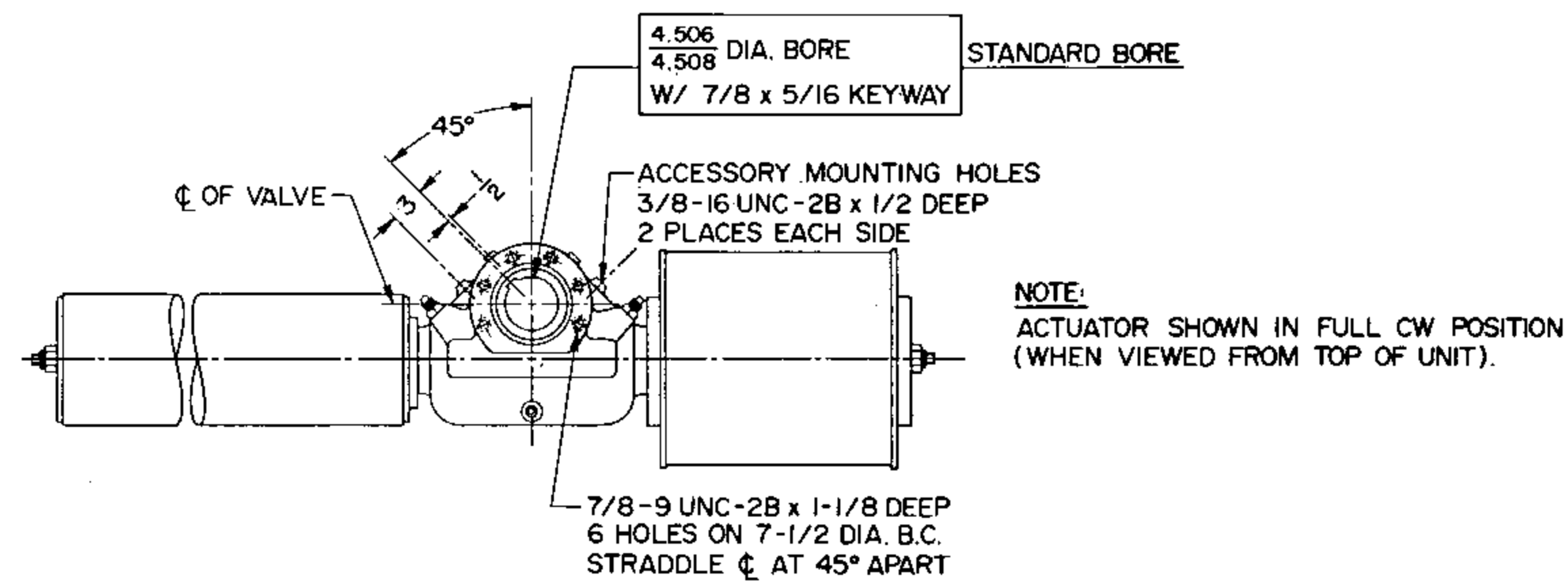
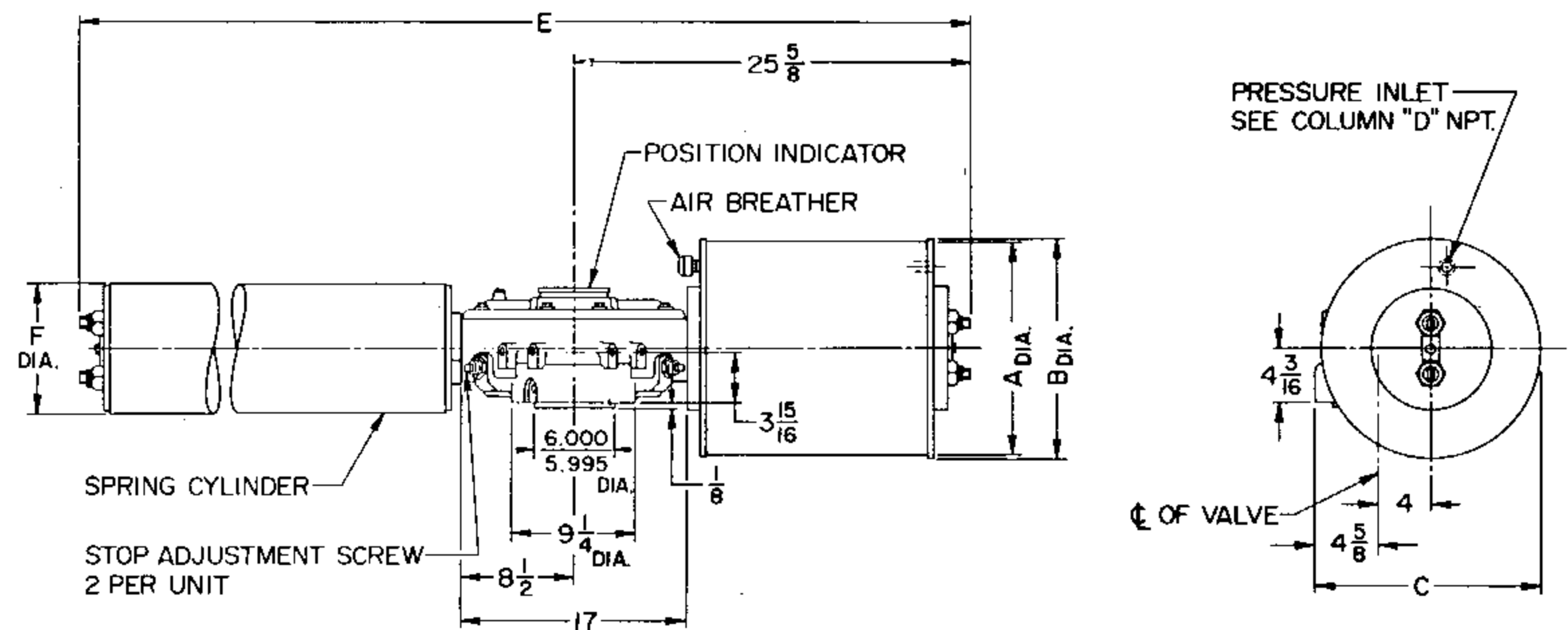


T-3B SPRING RETURN



MODEL	SR1						SR2						SR3									
	A	B	C	D	E	F	A	B	C	D	E	F	A	B	C	D	E	F				
T-310B-SR	10-3/4	11	11-7/8	1/2	68-3/4	11-3/8	10-3/4	11	11-7/8	1/2	59-5/8	10-3/4	10-3/4	11	11-7/8	1/2	61-7/8	7				
T-312B-SR	12-3/4	13	12-7/8	1/2			12-3/4	13	12-7/8	1/2			12-3/4	13	12-7/8	1/2						
T-316B-SR	16	16-1/4	14-1/2	3/4			16	16-1/4	14-1/2	3/4			16	16-1/4	14-1/2	3/4						
MODEL	SR4						SR5															
	A	B	C	D	E	F	A	B	C	D	E	F										
T-310B-SR	10-3/4	11	11-7/8	1/2	61-7/8	7	10-3/4	11	11-7/8	1/2	64-3/4	7										
T-312B-SR	12-3/4	13	12-7/8	1/2			12-3/4	13	12-7/8	1/2			12-3/4	13	12-7/8	1/2						
T-316B-SR	16	16-1/4	14-1/2	3/4			16	16-1/4	14-1/2	3/4			16	16-1/4	14-1/2	3/4						

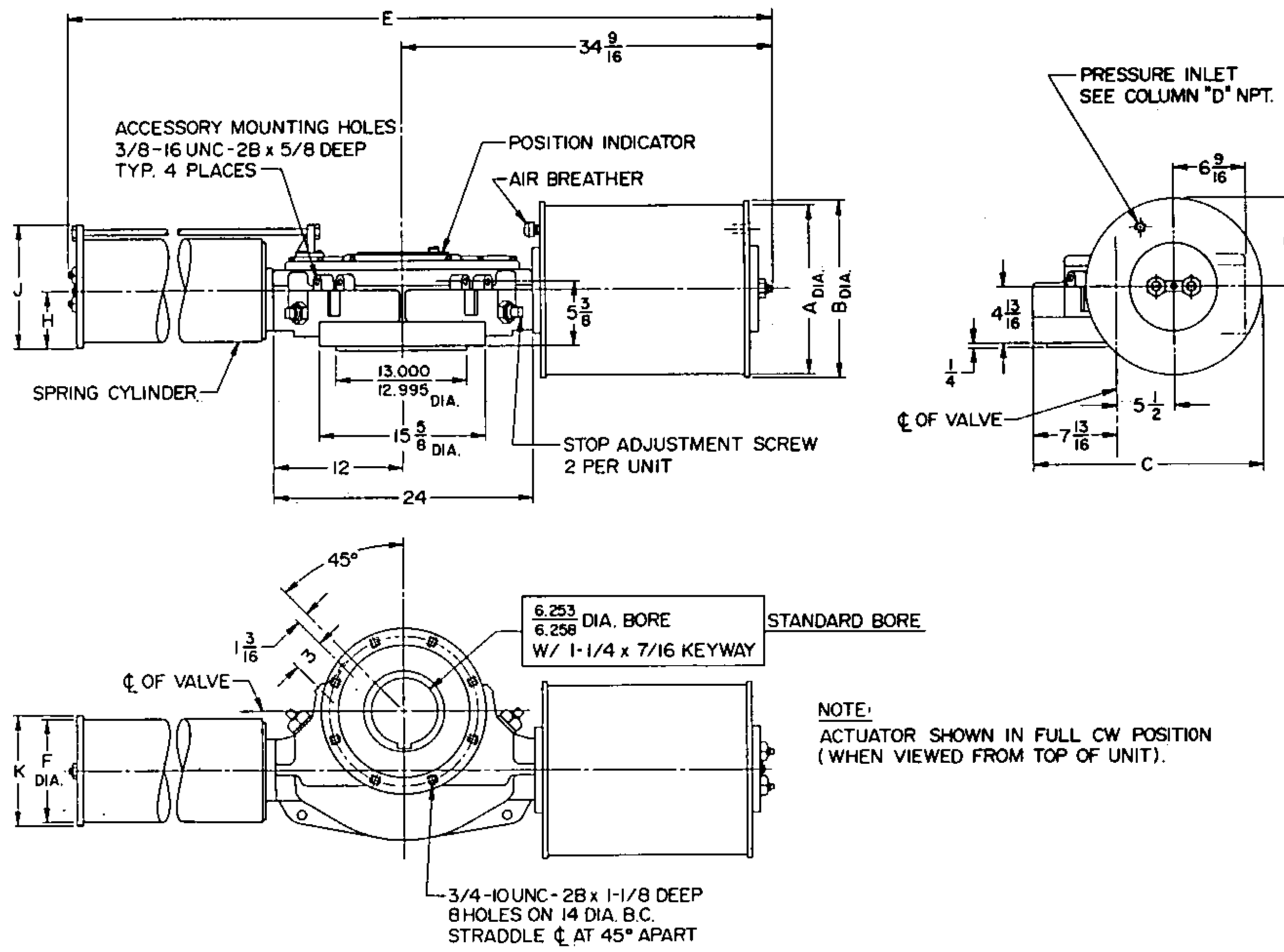
T-4B SPRING RETURN



MODEL	SR1						SR2						SR3									
	A	B	C	D	E	F	A	B	C	D	E	F	A	B	C	D	E	F				
T-410B-SR	10-3/4	11	14-1/8	1/2	69-1/8	11-3/8	10-3/4	11	14-1/8	1/2	73-1/8	11-3/8	10-3/4	11	14-1/8	1/2	64	10-3/4				
T-412B-SR	12-3/4	13	15-1/8	1/2			12-3/4	13	15-1/8	1/2			12-3/4	13	15-1/8	1/2						
T-416B-SR	16	16-1/4	16-3/4	3/4			16	16-1/4	16-3/4	3/4			16	16-1/4	16-3/4	3/4						
T-420B-SR	20	20-1/4	20-1/4	3/4	20	20-1/4	20-1/4	3/4	20	20-1/4	20-1/4	3/4										
MODEL	SR4						SR5															
	A	B	C	D	E	F	A	B	C	D	E	F										
T-410B-SR	10-3/4	11	14-1/8	1/2	66-1/4	7	10-3/4	11	14-1/8	1/2	69-1/8	7										
T-412B-SR	12-3/4	13	15-1/8	1/2			12-3/4	13	15-1/8	1/2			12-3/4	13	15-1/8	1/2						
T-416B-SR	16	16-1/4	16-3/4	3/4			16	16-1/4	16-3/4	3/4			16	16-1/4	16-3/4	3/4						
T-420B-SR	20	20-1/4	20-1/4	3/4	20	20-1/4	20-1/4	3/4	20	20-1/4	20-1/4	3/4										

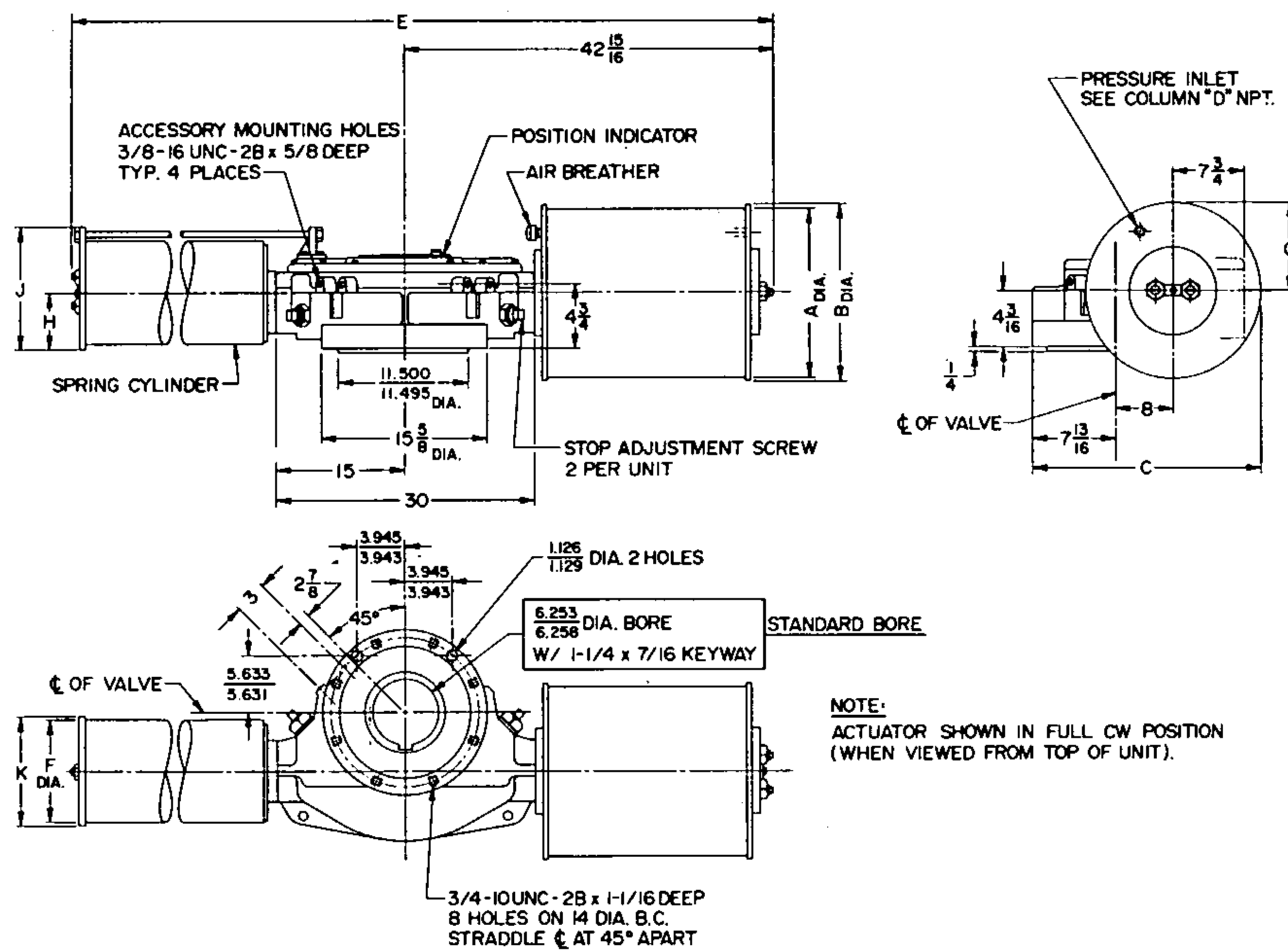


T-5B SPRING RETURN



MODEL	SR1										SR2										SR3									
	A	B	C	D	E	F	G	H	J	K	A	B	C	D	E	F	G	H	J	K	A	B	C	D	E	F	G	H	J	K
T-516B-SR	16	16-1/4	21-7/16	3/4	121-3/16	12-1/8	8-1/8	6-5/16	13-9/16	14-1/2	16	16-1/4	21-7/16	3/4	111-3/16	11-3/8	8-1/8	5-15/16	13-3/16	14-1/2	16	16-1/4	21-7/16	3/4	98-13/16	10-5/8	8-1/8	5-9/16	12-13/16	14-1/2
T-520B-SR	20	20-1/4	23-7/16				10-1/8				20	20-1/4	23-7/16				10-1/8				20	20-1/4	23-7/16				10-1/8			
MODEL	SR4										SR5										DISCONTINUED									
	A	B	C	D	E	F	G	H	J	K	A	B	C	D	E	F	G	H	J	K										
T-516B-SR	16	16-1/4	21-7/16	3/4	103-7/16	10-5/8	8-1/8	5-9/16	12-13/16	14-1/2																				
T-520B-SR	20	20-1/4	23-7/16				10-1/8																							

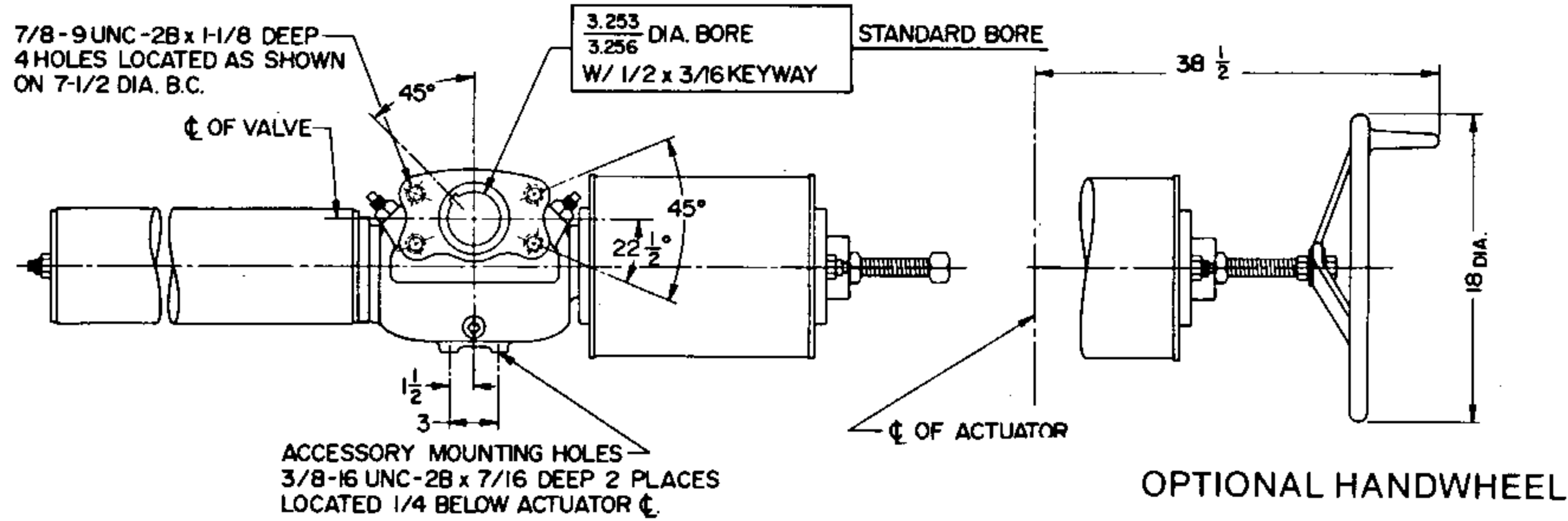
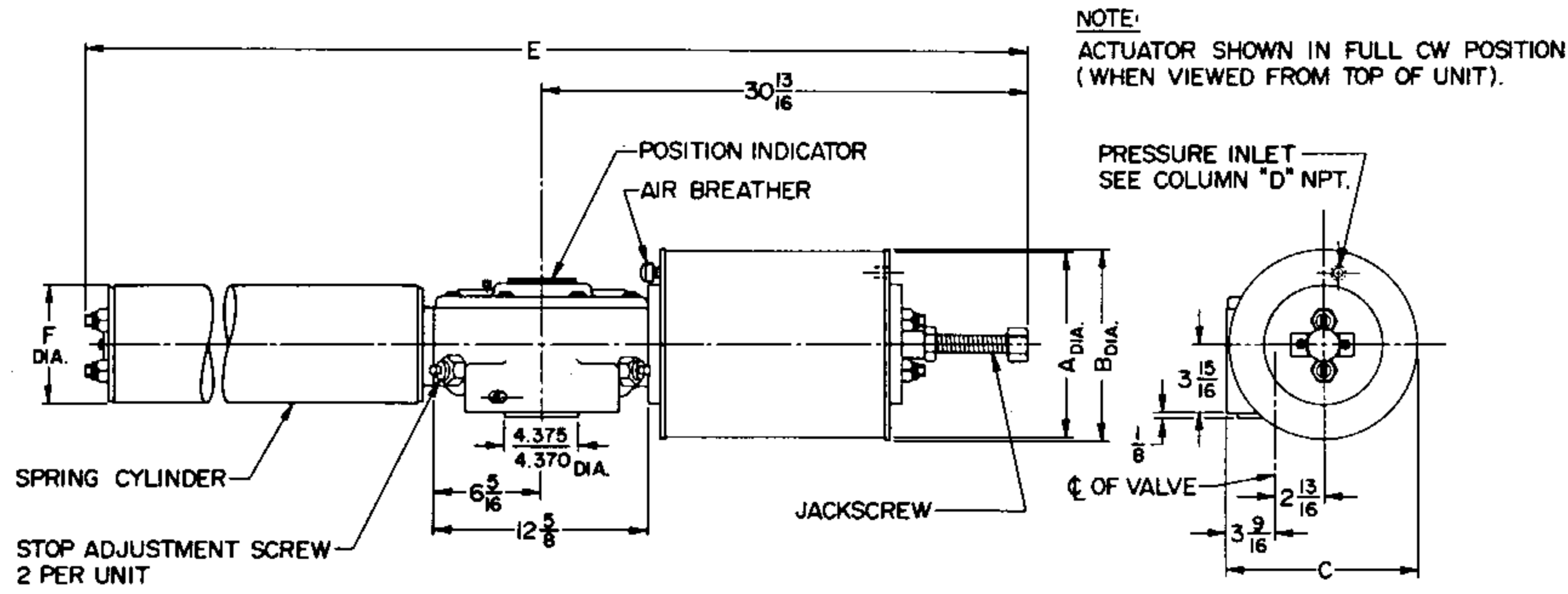
T-8B SPRING RETURN



MODEL	SR1										SR2										SR3									
	A	B	C	D	E	F	G	H	J	K	A	B	C	D	E	F	G	H	J	K	A	B	C	D	E	F	G	H	J	K
T-816B-SR											16	16-1/4	23-15/16	3/4	133-1/8	12-1/8	8-1/8	6-5/16	13-9/16	14-1/2	16	16-1/4	23-15/16	3/4	123-1/8	11-3/8	8-1/8	5-15/16	13-3/16	14-1/2
T-820B-SR											20	20-1/4	25-15/16				10-1/8				20	20-1/4	25-15/16				10-1/8			
MODEL	SR4										SR5										DISCONTINUED									
	A	B	C	D	E	F	G	H	J	K	A	B	C	D	E	F	G	H	J	K										
T-816B-SR	16	16-1/4	23-15/16	3/4	132-1/8	11-3/8	8-1/8	5-15/16	13-3/16	14-1/2	16	16-1/4	23-15/16	3/4	115-3/8	10-5/8	8-1/8	5-9/16	12-13/16	14-1/2										
T-820B-SR	20	20-1/4	25-15/16				10-1/8				20	20-1/4	25-15/16				10-1/8													

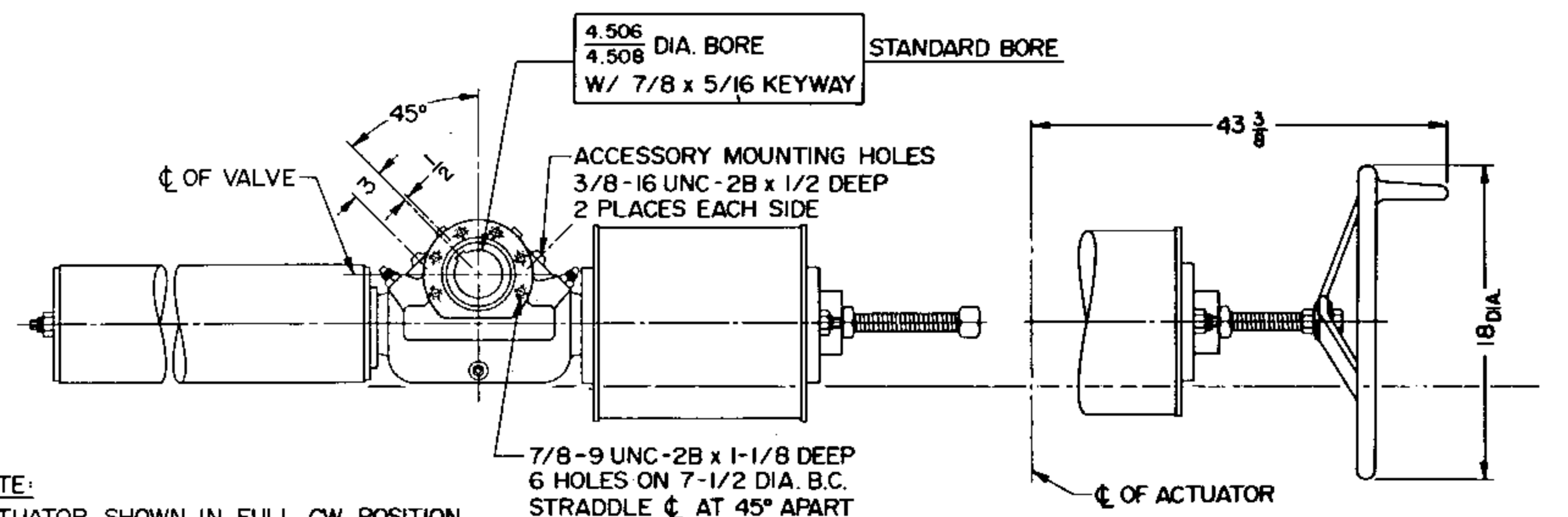
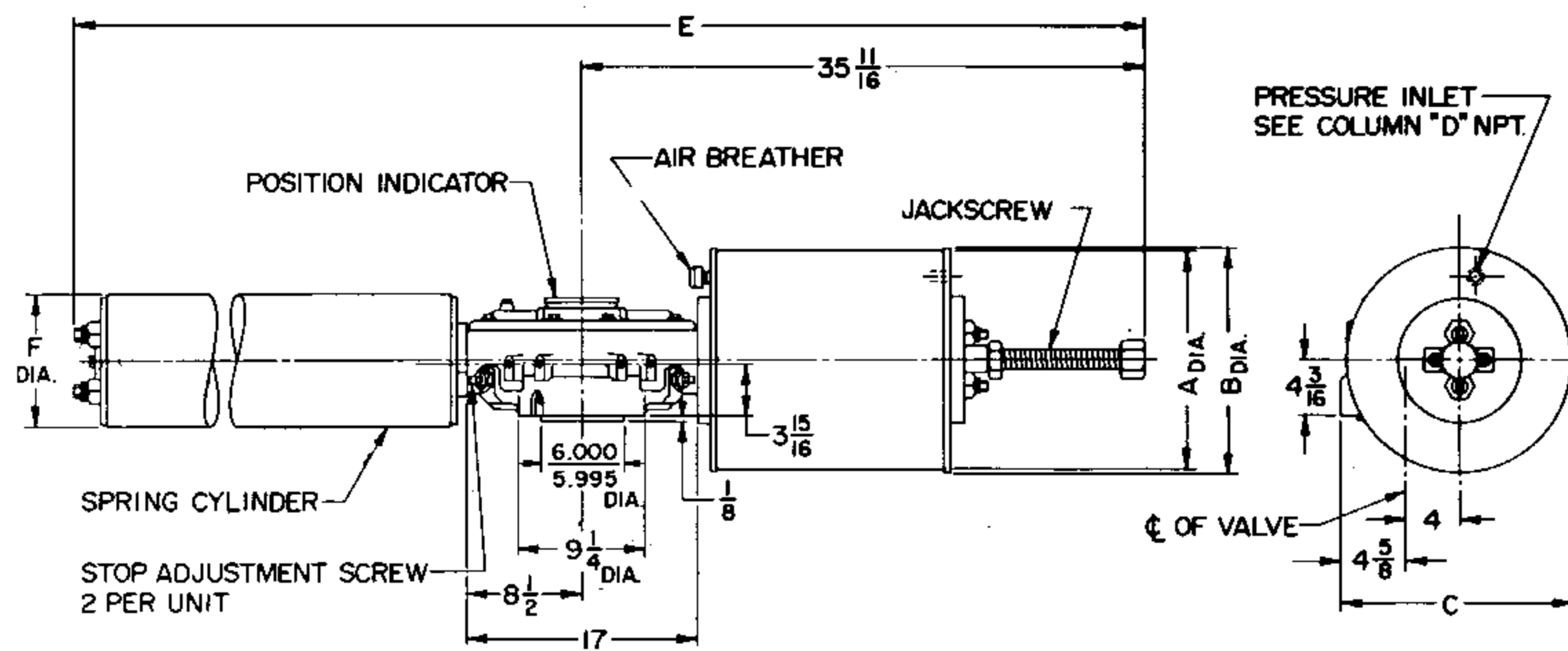


T-3B-SR-M3 (JACKSCREW)



MODEL	SR1						SR2						SR3					
	A	B	C	D	E	F	A	B	C	D	E	F	A	B	C	D	E	F
T-310B-SR	10-3/4	11	11-7/8	1/2	76-1/8	11-3/8	10-3/4	11	11-7/8	1/2	67	10-3/4	10-3/4	11	11-7/8	1/2	69-1/4	7
T-312B-SR	12-3/4	13	12-7/8	1/2			12-3/4	13	12-7/8	1/2			12-3/4	13	12-7/8	1/2		
T-316B-SR	16	16-1/4	14-1/2	3/4			16	16-1/4	14-1/2	3/4			16	16-1/4	14-1/2	3/4		
MODEL	SR4						SR5											
	A	B	C	D	E	F	A	B	C	D	E	F						
T-310B-SR	10-3/4	11	11-7/8	1/2	69-1/4	7	10-3/4	11	11-7/8	1/2	72-1/8	7						
T-312B-SR	12-3/4	13	12-7/8	1/2			12-3/4	13	12-7/8	1/2								
T-316B-SR	16	16-1/4	14-1/2	3/4			16	16-1/4	14-1/2	3/4								

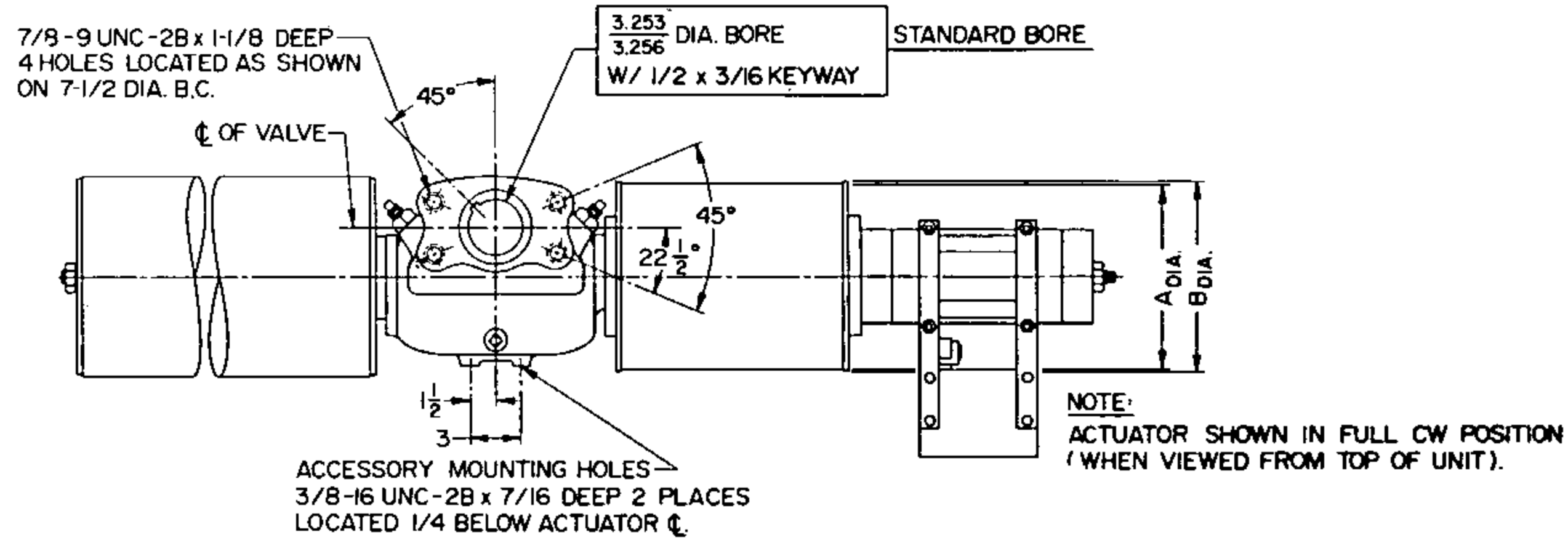
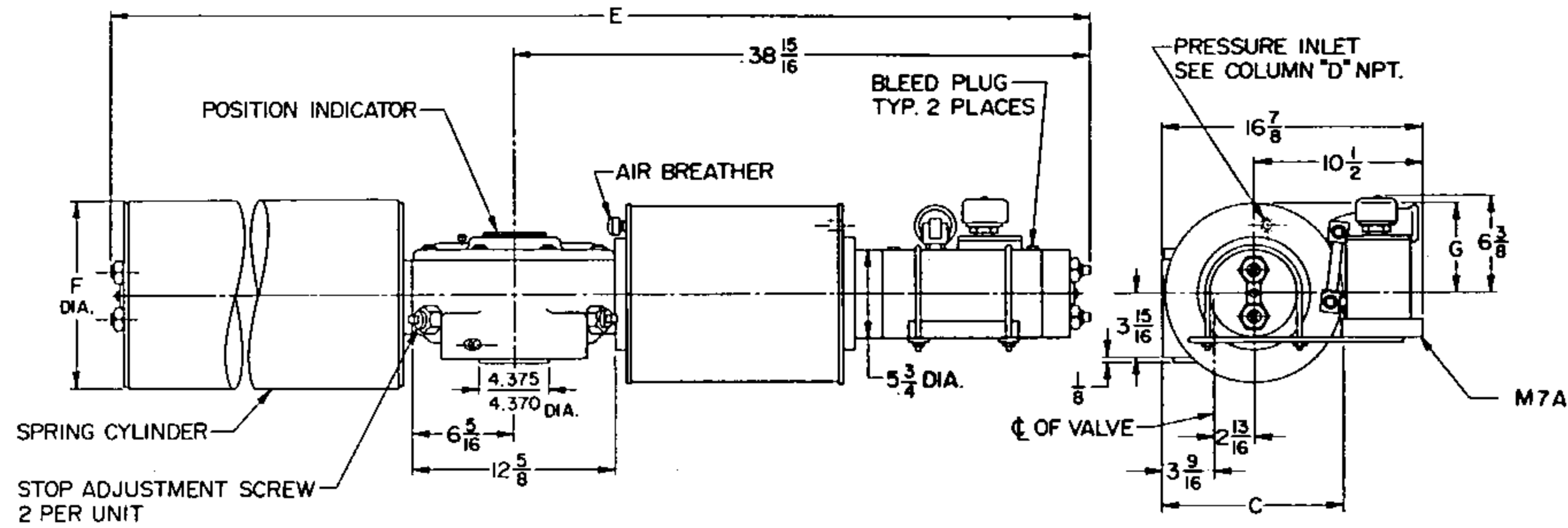
T-4B-SR-M3 (JACKSCREW)



MODEL	SR1						SR2						SR3								
	A	B	C	D	E	F	A	B	C	D	E	F	A	B	C	D	E	F			
T-410B-SR	10-3/4	11	14-1/8	1/2	79-3/16	11-3/8	10-3/4	11	14-1/8	1/2	83-3/16	11-3/8	10-3/4	11	14-1/8	1/2	74-1/16	10-3/4			
T-412B-SR	12-3/4	13	15-1/8	16-3/4			12-3/4	13	15-1/8				12-3/4	13	15-1/8				12-3/4	13	15-1/8
T-416B-SR	16	16-1/4	16-3/4				16	16-1/4	16-3/4				16	16-1/4	16-3/4				16	16-1/4	16-3/4
T-420B-SR	20	20-1/4	20-1/4	3/4	20	20-1/4	20-1/4	3/4	20	20-1/4	20-1/4	3/4	20	20-1/4	20-1/4	3/4	20	20-1/4	20-1/4		
MODEL	SR4						SR5														
	A	B	C	D	E	F	A	B	C	D	E	F									
T-410B-SR	10-3/4	11	14-1/8	1/2	76-5/16	7	10-3/4	11	14-1/8	1/2	79-3/16	7									
T-412B-SR	12-3/4	13	15-1/8	16-3/4			12-3/4	13	15-1/8				12-3/4	13	15-1/8	12-3/4	13	15-1/8			
T-416B-SR	16	16-1/4	16-3/4				16	16-1/4	16-3/4				16	16-1/4	16-3/4	16	16-1/4	16-3/4			
T-420B-SR	20	20-1/4	20-1/4	3/4	20	20-1/4	20-1/4	3/4	20	20-1/4	20-1/4	3/4									



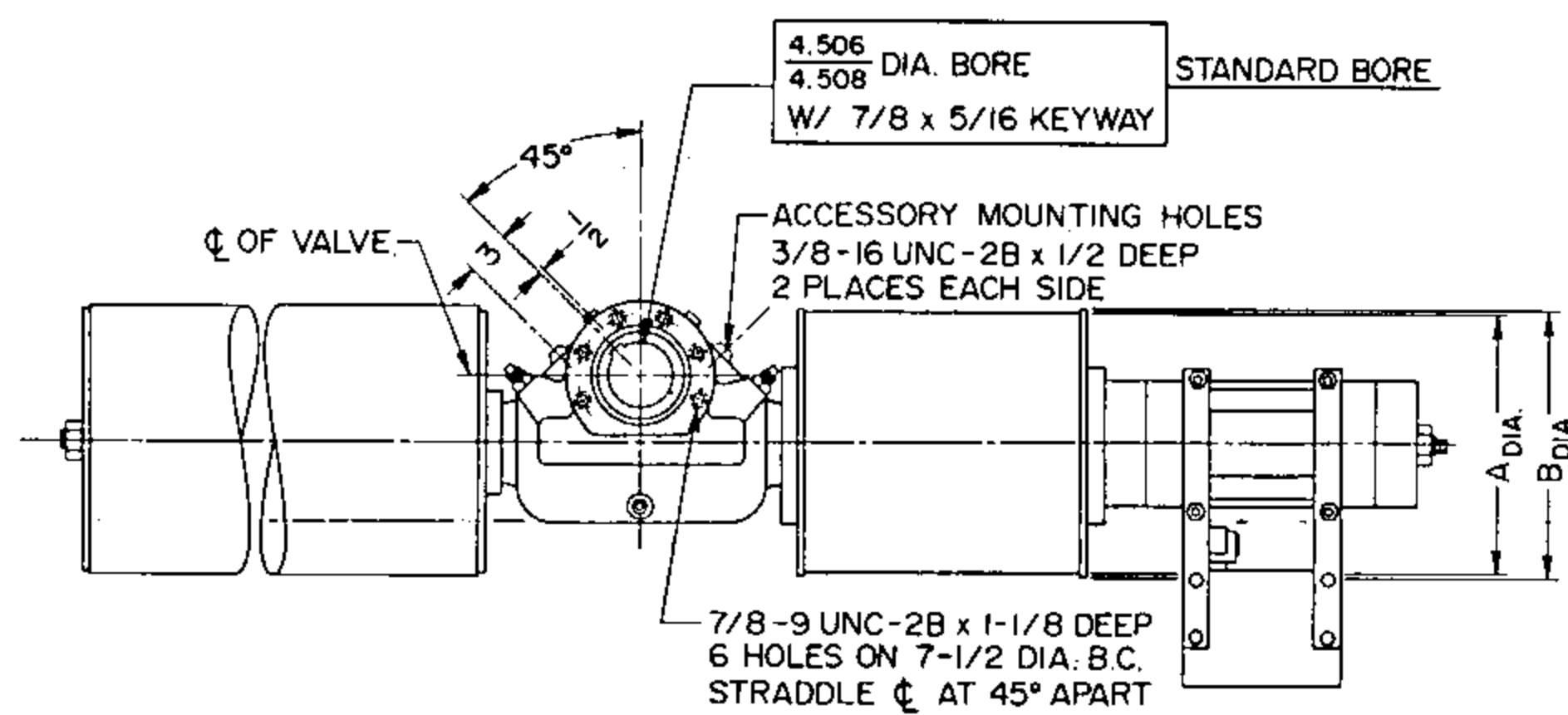
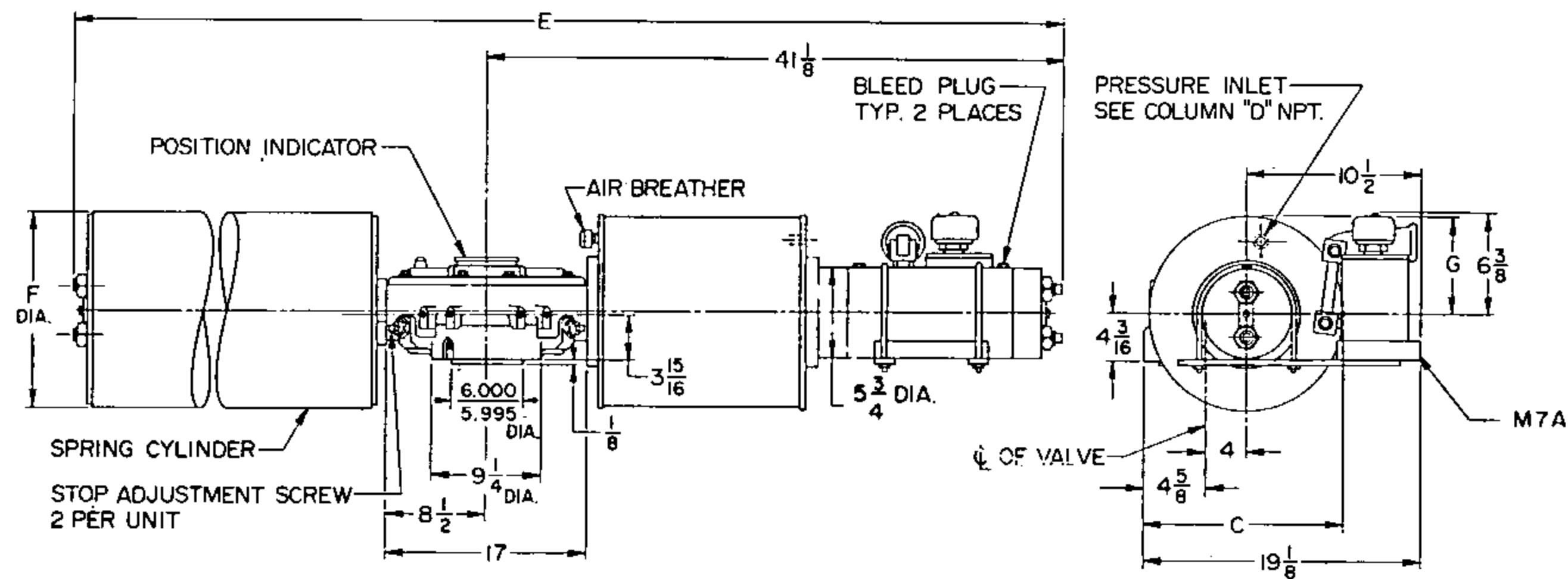
T-3B-SR-H W/M7A HYDRAULIC CONTROL



MODEL	SR1							SR2							SR3						
	A	B	C	D	E	F	G	A	B	C	D	E	F	G	A	B	C	D	E	F	G
T-310B-SR	10-3/4	11	11-7/8	1/2			5-1/2	10-3/4	11	11-7/8	1/2			5-1/2	10-3/4	11	11-7/8	1/2			5-1/2
T-312B-SR	12-3/4	13	12-7/8	1/2	84-1/4	11-3/8	6-1/2	12-3/4	13	12-7/8	1/2	75-1/8	10-3/4	6-1/2	12-3/4	13	12-7/8	1/2	77-3/8	7	6-1/2
T-316B-SR	16	16-1/4	14-1/2	3/4			8-1/8	16	16-1/4	14-1/2	3/4			8-1/8	16	16-1/4	14-1/2	3/4			8-1/8

MODEL	SR4							SR5						
	A	B	C	D	E	F	G	A	B	C	D	E	F	G
T-310B-SR	10-3/4	11	11-7/8	1/2			5-1/2	10-3/4	11	11-7/8	1/2			5-1/2
T-312B-SR	12-3/4	13	12-7/8	1/2	77-3/8	7	6-1/2	12-3/4	13	12-7/8	1/2	80-1/4	7	6-1/2
T-316B-SR	16	16-1/4	14-1/2	3/4			8-1/8	16	16-1/4	14-1/2	3/4			8-1/8

T-4B-SR-H W/M7A HYDRAULIC CONTROL

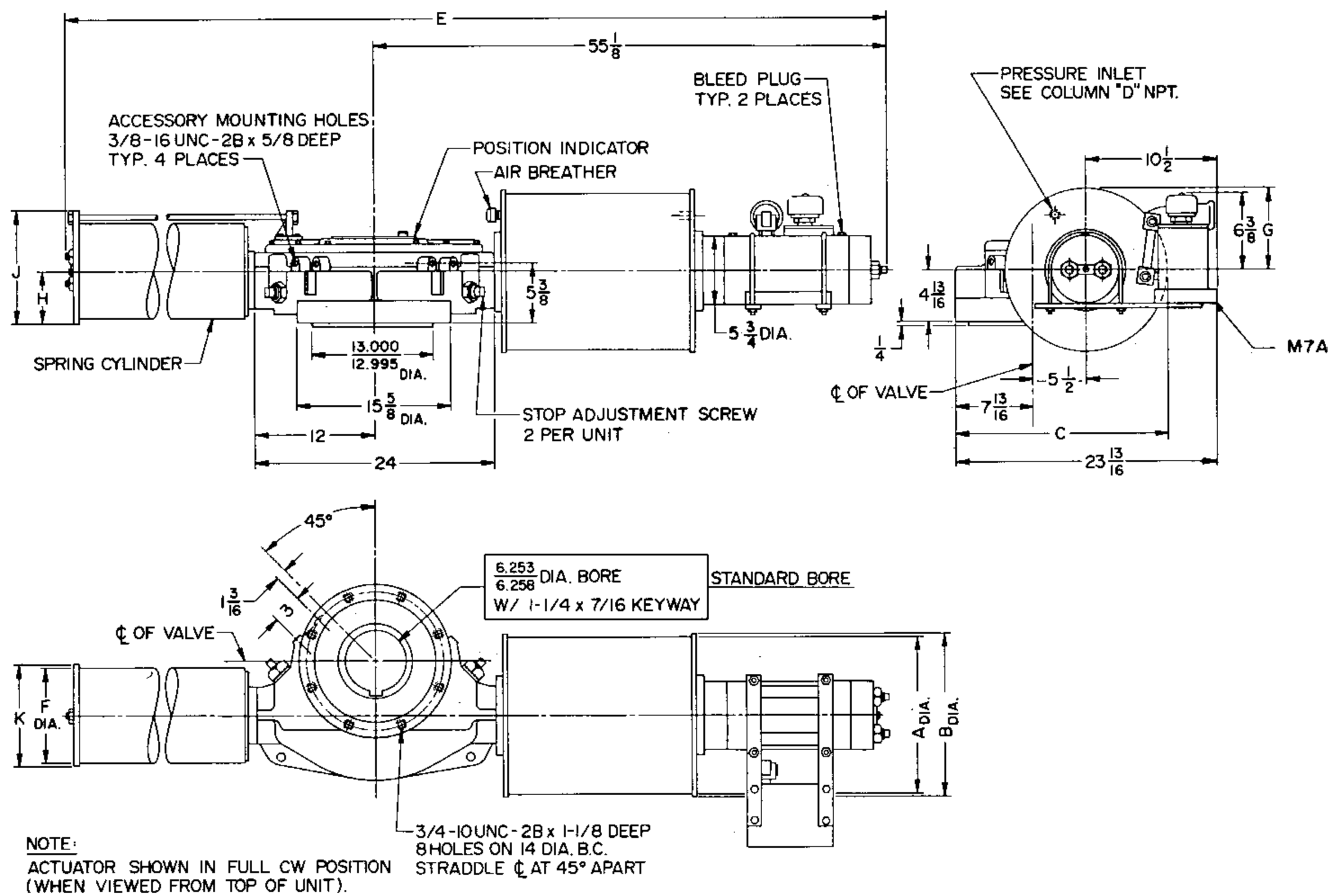


MODEL	SR1							SR2							SR3						
	A	B	C	D	E	F	G	A	B	C	D	E	F	G	A	B	C	D	E	F	G
T-410B-SR	10-3/4	11	14-1/8	1/2			5-1/2	10-3/4	11	14-1/8	1/2			5-1/2	10-3/4	11	14-1/8	1/2			5-1/2
T-412B-SR	12-3/4	13	15-1/8	1/2	84-5/8	11-3/8	6-1/2	12-3/4	13	15-1/8	1/2	88-5/8	11-3/8	6-1/2	12-3/4	13	15-1/8	1/2	79-1/2	10-3/4	6-1/2
T-416B-SR	16	16-1/4	16-3/4	3/4			8-1/8	16	16-1/4	16-3/4	3/4			8-1/8	16	16-1/4	16-3/4	3/4			8-1/8
T-420B-SR	20	20-1/4	20-1/4	3/4			10-1/8	20	20-1/4	20-1/4	3/4			10-1/8	20	20-1/4	20-1/4	3/4			10-1/8

MODEL	SR4							SR5						
	A	B	C	D	E	F	G	A	B	C	D	E	F	G
T-410B-SR	10-3/4	11	14-1/8	1/2			5-1/2	10-3/4	11	14-1/8	1/2			5-1/2
T-412B-SR	12-3/4	13	15-1/8	1/2	81-3/4	7	6-1/2	12-3/4	13	15-1/8	1/2	84-5/8	7	6-1/2
T-416B-SR	16	16-1/4	16-3/4	3/4			8-1/8	16	16-1/4	16-3/4	3/4			8-1/8
T-420B-SR	20	20-1/4	20-1/4	3/4			10-1/8	20	20-1/4	20-1/4	3/4			10-1/8

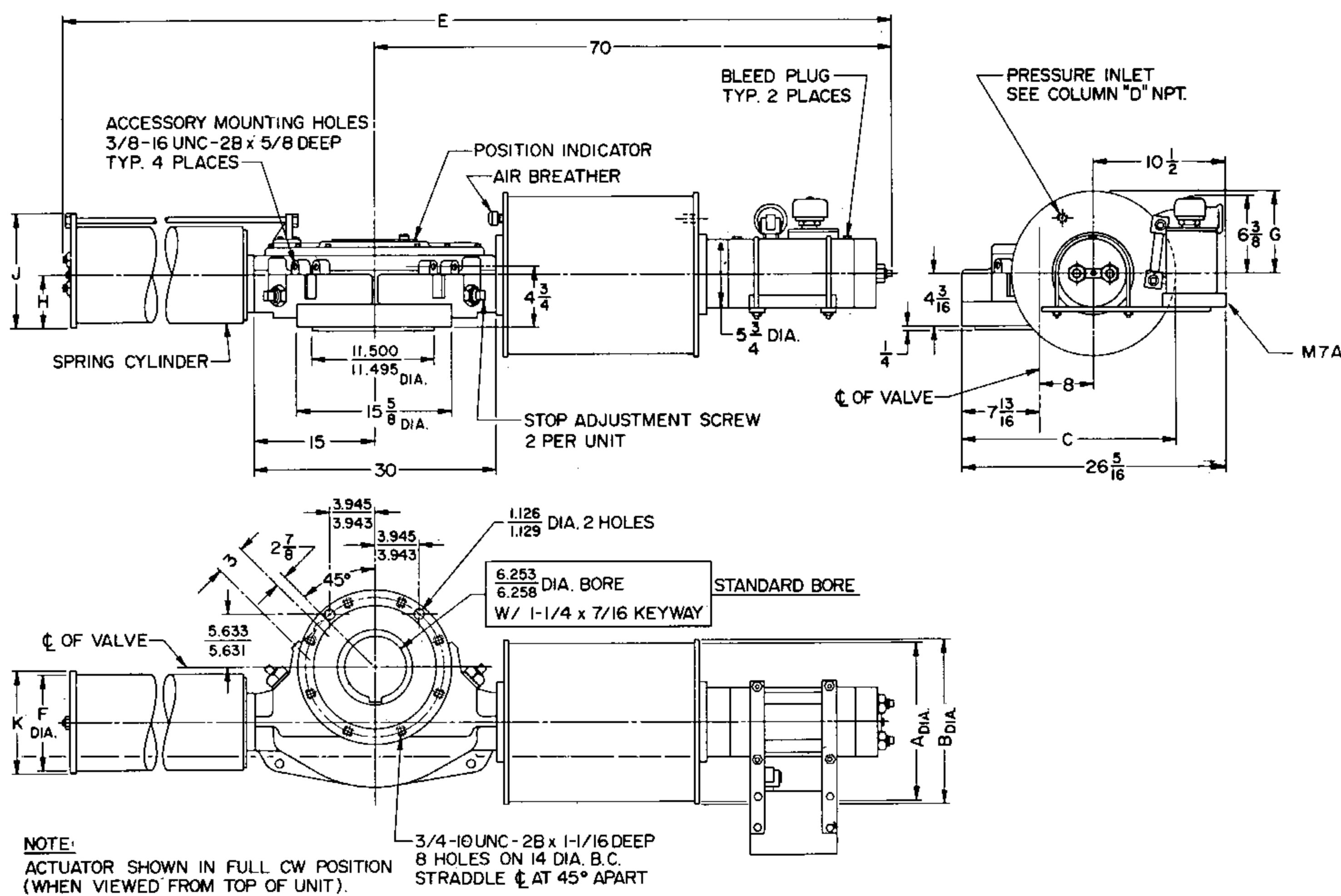


T-5B-SR-H W/M7A HYDRAULIC CONTROL



MODEL	SR1										SR2										SR3									
	A	B	C	D	E	F	G	H	J	K	A	B	C	D	E	F	G	H	J	K	A	B	C	D	E	F	G	H	J	K
T-516B-SR	16	16-1/4	21-7/16	3/4	142-1/2	12-1/8	8-1/8	6-5/16	13-9/16	14-1/2	16	16-1/4	21-7/16	3/4	131-3/4	11-3/8	8-1/8	5-15/16	13-3/16	14-1/2	16	16-1/4	21-7/16	3/4	117-3/8	10-5/8	8-1/8	5-9/16	12-13/16	14-1/2
T-520B-SR	20	20-1/4	23-7/16			10-1/8					20	20-1/4	23-7/16				10-1/8				20	20-1/4	23-7/16				10-1/8			
MODEL	SR4										SR5										DISCONTINUED									
	A	B	C	D	E	F	G	H	J	K	A	B	C	D	E	F	G	H	J	K										
T-516B-SR	16	16-1/4	21-7/16	3/4	124	10-5/8	8-1/8	5-9/16	12-13/16	14-1/2	DISCONTINUED																			
T-520B-SR	20	20-1/4	23-7/16			10-1/8					DISCONTINUED																			

T-8B-SR-H W/M7A HYDRAULIC CONTROL



MODEL	SR1										SR2										SR3									
	A	B	C	D	E	F	G	H	J	K	A	B	C	D	E	F	G	H	J	K	A	B	C	D	E	F	G	H	J	K
T-816B-SR	16	16-1/4	23-15/16	3/4	158-5/8	11-3/8	8-1/8	5-15/16	13-3/16	14-1/2	16	16-1/4	23-15/16	3/4	160-3/8	12-1/8	8-1/8	6-5/16	13-9/16	14-1/2	16	16-1/4	23-15/16	3/4	149-5/8	11-3/8	8-1/8	5-15/16	13-3/16	14-1/2
T-820B-SR	20	20-1/4	25-15/16			10-1/8					20	20-1/4	25-15/16				10-1/8				20	20-1/4	25-15/16				10-1/8			
MODEL	SR4										SR5										DISCONTINUED									
	A	B	C	D	E	F	G	H	J	K	A	B	C	D	E	F	G	H	J	K										
T-816B-SR	16	16-1/4	23-15/16	3/4	158-5/8	11-3/8	8-1/8	5-15/16	13-3/16	14-1/2	16	16-1/4	23-15/16	3/4	141-7/8	10-5/8	8-1/8	5-9/16	12-13/16	14-1/2	DISCONTINUED									
T-820B-SR	20	20-1/4	25-15/16			10-1/8					20	20-1/4	25-15/16				10-1/8				DISCONTINUED									



ACTUATOR DATA

MODEL	DISPLACEMENT		WEIGHT (LBS.)	W/MANUAL ADD	MAX. TORQ. (IN LBS)	**MAX. OPERATING PRESSURE	*MAX. ALLOW. WORK.PRESS.
	CU. IN.	CU. FT.					
T-310B	665	.386	130	16#	60,000	160	200
T-312B	950	.550	160			115	150
T-410B	665	.386	255	100#	115,000	215	300
T-412B	950	.550	285			150	200
T-416B	1510	.875	375			95	125
T-516B	2100	1.215	690	120#	225,000	140	200
T-520B	3325	1.922	820			90	125
T-816B	3050	1.763	785		450,000	180	250
T-820B	4820	2.786	986			115	150

** Maximum operating pressure is the pressure required to produce the maximum rated torque of a double acting actuator.

* Maximum allowable working pressure is the maximum static pressure that may be applied to a fully stroked actuator against the travel stops.

NOTE: Pressures applied to only one end of the cylinder in excess of the maximum allowable working pressure may result in permanent deformation of the torque producing mechanism of the actuator.

Test pressure is 1.25 times the maximum allowable working pressure when applied to both sides of the cylinder simultaneously.

MODEL	DISPLACEMENT		WEIGHT					W/MAN. ADD	MAX. TORQUE IN. LB.	MAX. ALLOW. WK.PRESS.
	CU.IN.	CU.FT.	SR1	SR2	SR3	SR4	SR5			
T-310B-SR	665	.386	425	356	250	260	260	100#	28,800	325
T-312B-SR	950	.550	455	395	280	290	290			225
T-316B-SR	1510	.875	535	475	360	370	370			130
T-410B-SR	665	.386	560	555	495	380	385		55,500	325
T-412B-SR	950	.550	590	585	525	410	415			225
T-416B-SR	1510	.875	680	675	615	500	505			150
T-420B-SR	2389	1.366	805	800	740	625	630	90		
T-516B-SR	2100	1.215	1430	1230	1060	1075		120#	112,500	250
T-520B-SR	3325	1.922	1560	1360	1190	1205			150	
T-816B-SR	3050	1.763	—	1525	1325	1355	1170	177,000	250	
T-820B-SR	4820	2.786	—	1665	1465	1495	1310		150	

“T” - SERIES MANUAL CONTROLS

“M” — An Internal Mechanical Manual is available on T-3B Double Acting Units.

M3 — Jackscrew Manual is available on T-3B and T-4B Spring Return units. The Jackscrew is an integral part of the Actuator.

M4A — Hydraulic Manual Control is a Bi-Directional Hydraulic Manual with Speed Control, available on T-3B thru T-8B Double Acting Units. Pat. No. 877347

M7A — Hydraulic Manual Control is a Uni-Directional Hydraulic Manual with Speed Control, available on T-3B thru T-8B Spring Return Units.

HYDRAULIC SPEED CONTROL

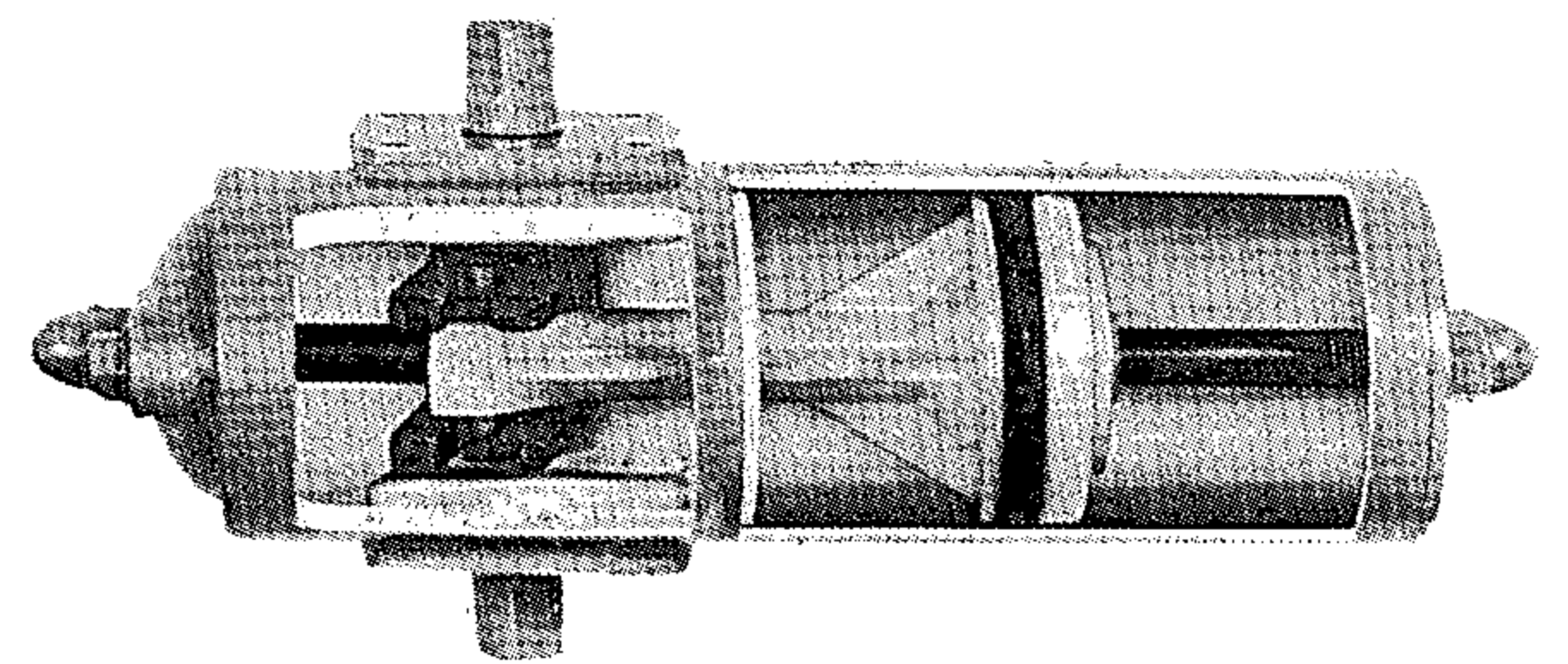
M8A — Hydraulic Speed Control for operation in either direction is available on all Double Acting or Spring Return Units, T-3B thru T-8B.



OTHER BETTIS PRODUCTS

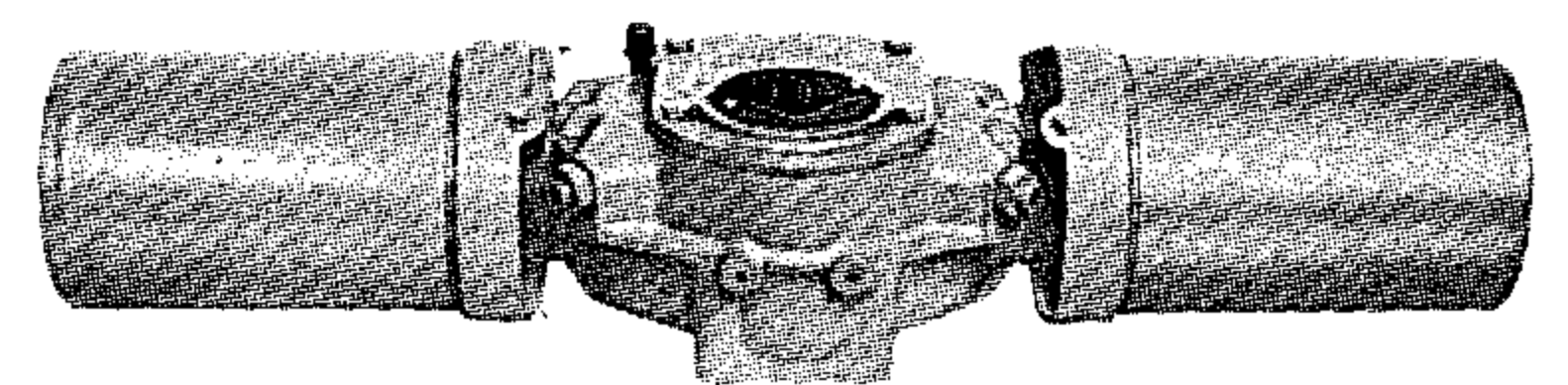
"CB" SERIES

The Robotarm Model "CB" Series Actuator is a gas or air-driven cylinder-type operator that gives positive remote control for any of 90-degree rotary operation. The model "CB" Robotarm is one of the most economical and compact rotary actuators available. Standard units are manufactured in several sizes from 300 to 9240 inch-pounds torque output for double acting and 200 to 3800 inch-pounds torque output for spring return units. Standard operating pressures are 40 to 120 PSIG



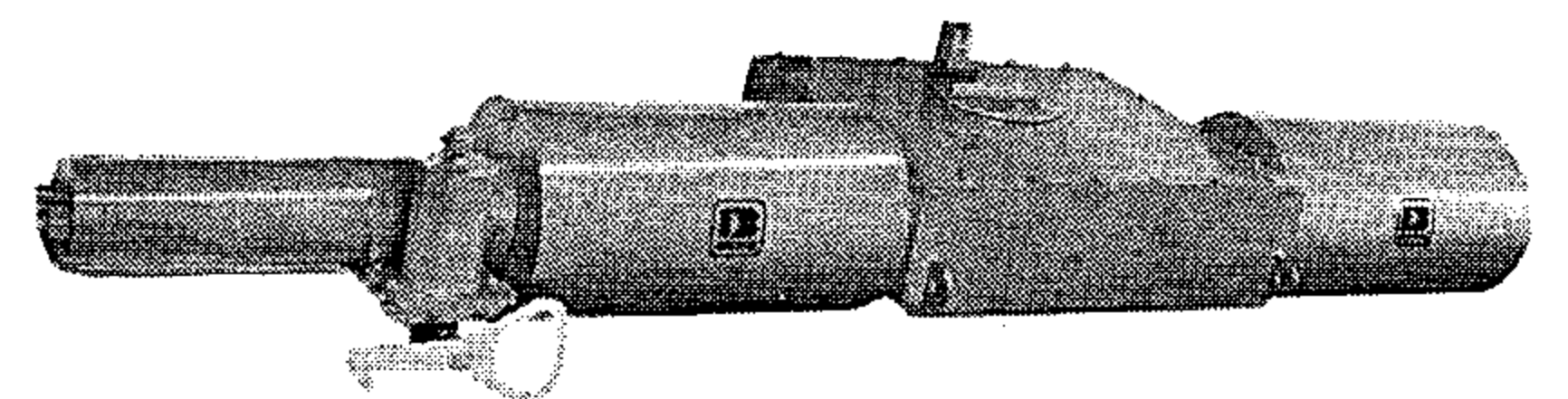
HEAVY DUTY SERIES

The Bettis Heavy Duty Series, Scotch Yoke Robotarm Actuator, is a superior cylinder-type actuator for pneumatic or hydraulic service. Its proven design offers positive control for operation of ball, butterfly or plug valves and many other 90° rotating mechanisms. Double acting HD series actuators are available for torque outputs of 2,000 to 60,000 in-pounds. Spring return actuators are available for torque outputs of 800 to 15,000 in-pounds.



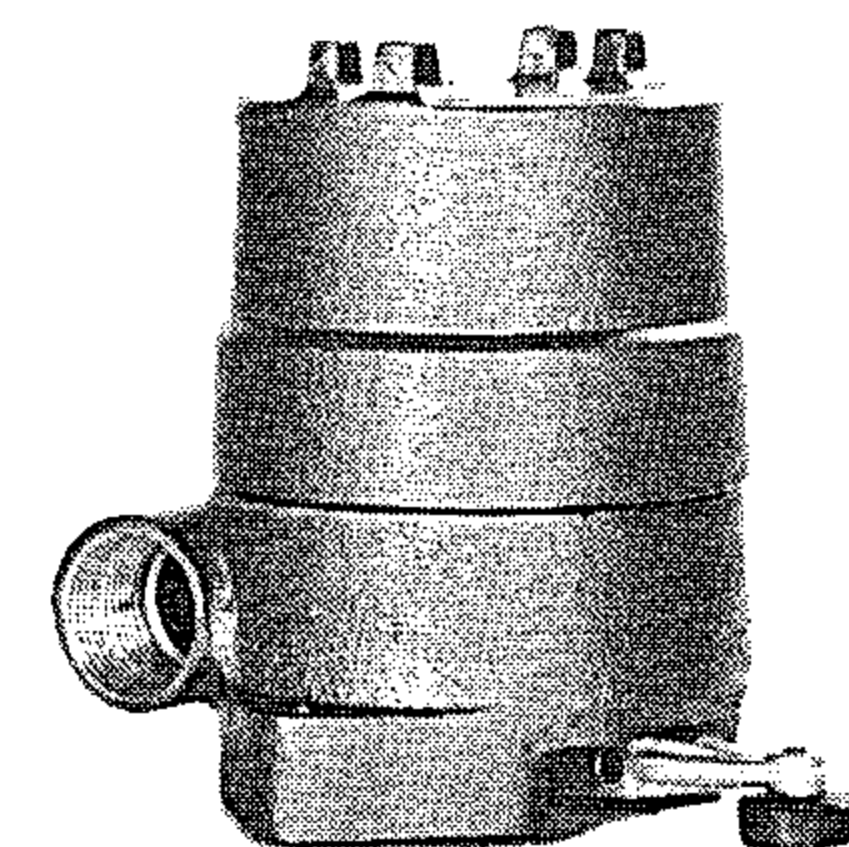
"TR" & "TRQ" SERIES

The "TR" (Track-Guide Rail) and "TRQ" (Track-Guide Rail - Quad Body) Series represents a further extension of the line of high torque Robotarm actuators. Designed with the same quality and rugged features as the other series Bettis actuator, these units are available for torques up to 2,000,000 inch-pounds.



BETTISWITCH

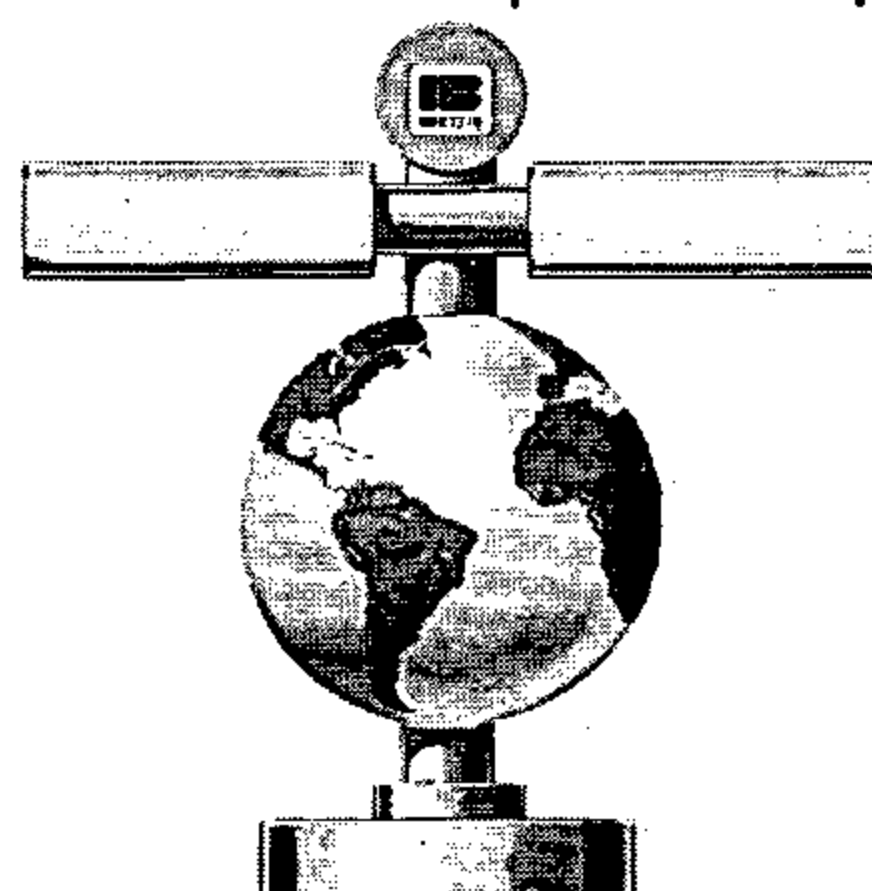
The Bettiswitch is a versatile position-indicating switch designed primarily for use with Bettis valve actuators. The Bettiswitch is especially adaptable to sequence cycling or automated systems, with a choice of operating mechanisms, direct-coupled or three position lever/roller operations. All switches are weather and explosion proof.



HOME OFFICE:

BETTIS CORPORATION
7031 Grand Boulevard
P. O. Box 14689, Houston, Texas
Telephone: (713) 748-1143
Telex: 762713

Subsidiary of
Galveston-Houston Company



BETTIS ACTUATORS & CONTROLS LTD.

20/36 Empress Road
Southampton SO2 OJU
Hampshire, England
Telephone: Southampton 32414
Telex: 47493

PRINTED IN U.S.A.