

Sonifier Cell Disruptor

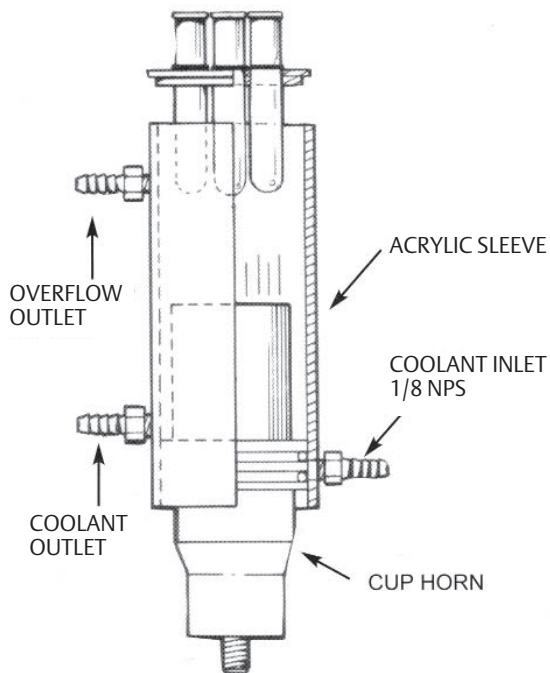
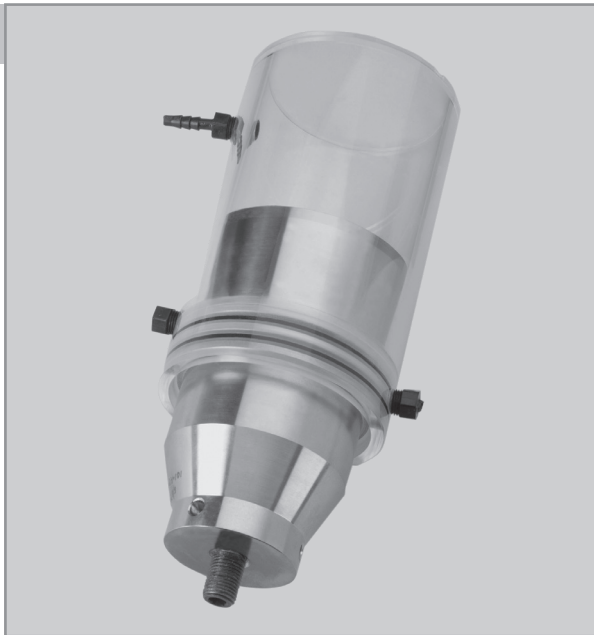
2" and 3" Diameter Cup Horn for Ultrasonic Cell Disruptors *(Indirect method of sonification for open and closed vessels)*

OVERVIEW

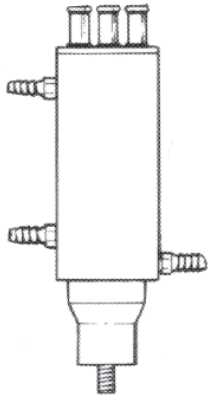
The cup horn enables sonification of a sample without the horn coming in contact with the solution. It can simultaneously process a number of sealed vials or test tubes with identical parameters.

TYPICAL APPLICATIONS

- Liposomes preparation
- Processes samples in complete isolation
- Precludes the possibility of any titanium migration
- Ideal for minute volume processing - down to 0.3 mL
- Processing of viruses, radioactive materials



Sonifier Cell Disruptor



◀ **CUP HORN** processes multiple samples in sealed vessels
 2" dia. Part No. 101-147-047
 3" dia. Part No. 101-147-048



◀ **CONVERTER** receives electrical energy from power supply and converts to 20,000 Hz (20 kHz) mechanical vibration.



Model SFX550 shown

◀ **POWER SUPPLY** converts standard 60 Hz line voltage to high frequency electrical power of 20,000 Hz.

Cup horns compatible with SFX250 and SFX550, Digital 250 and 450, Analog 250 and 450.

Americas

Branson Ultrasonics Corp.
 41 Eagle Road
 Danbury, CT 06813-1961
 T: 203-796-0400
 F: 203-796-9838
www.Emerson.com/Branson

Europe

Branson Ultraschall
 Niederlassung der Emerson
 Technologies GmbH & Co. OHG
 Waldstrasse 53-55
 63128 Dietzenbach, Germany
 T: +49-6074-497-0
 F: +49-6074-497-199
www.Emerson.com/Branson

Asia

Branson Ultrasonics (Shanghai) Co., Ltd.
 758 Rong Le Dong Road
 Song Jiang, Shanghai, PRC, 201613
 T: 86-21-3781-0588
 F: 86-21-5774-5100
www.Emerson.com/Branson