

# Sonifier Cell Disruptor



## 1" Diameter High-Intensity Cup Horn

### OVERVIEW

Branson's water-jacketed cup horn ultrasonically processes samples in a test tube or a sealed vessel, thereby isolating the horn from the solution. One-piece solid titanium construction is utilized, allowing isolation of samples for treatment.

High-intensity cavitation is possible due to the horn's concaved shape. This design permits disruption of many cells and is used for emulsification, dispersion, creation of lipid vesicles, suspension, homogenization, and degassing.

### Approximate

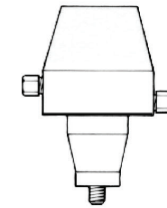
**Overall Length:** 7" (180mm)

**Body Diameter:** 3-9/16" (91mm)

**Cavity Size:** 1-3/4" (43mm)

**Tapered Wall:** 1-1/4" D (33mm)

Flow-thru horn compatible with SFX250 and SFX550, Digital 250 and 450, Analog 250 and 450.



← **HIGH-INTENSITY CUP HORN FOR PROCESSING SINGLE SEALED VESSELS**  
(Part No. 101-147-046)



← **CONVERTER** receives electrical energy from power supply and converts to 20,000 Hz mechanical vibration.



**POWER SUPPLY** provides electrical energy to converter which produces 20 kHz mechanical vibration.



Model SFX550 shown

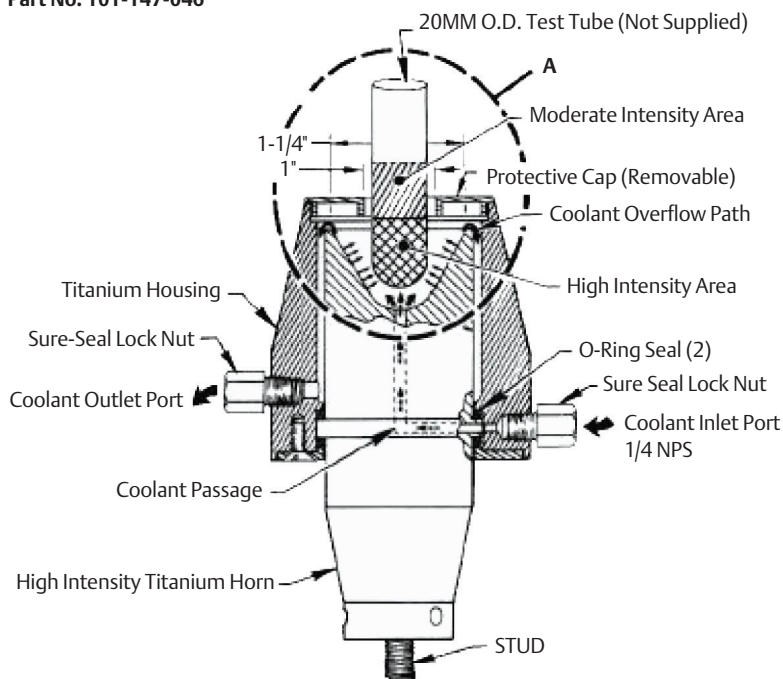
# Sonifier Cell Disruptor

## TYPICAL APPLICATIONS

- Blood chemistry
- HPLC solvent degassing
- Lipid vesicle preparation
- Pigment dispersion
- Tablet dispersion
- Tissue culture
- Waste homogenization
- Infectious solutions

## SONIFIER® CUP HORN

Part No. 101-147-046



### Americas

Branson Ultrasonics Corp.  
41 Eagle Road  
Danbury, CT 06813-1961  
T: 203-796-0400  
F: 203-796-9838  
[www.Emerson.com/Branson](http://www.Emerson.com/Branson)

### Europe

Branson Ultraschall  
Niederlassung der Emerson  
Technologies GmbH & Co. OHG  
Waldstrasse 53-55  
63128 Dietzenbach, Germany  
T: +49-6074-497-0  
F: +49-6074-497-199  
[www.Emerson.com/Branson](http://www.Emerson.com/Branson)

### Asia

Branson Ultrasonics (Shanghai) Co., Ltd.  
758 Rong Le Dong Road  
Song Jiang, Shanghai, PRC, 201613  
T: 86-21-3781-0588  
F: 86-21-5774-5100  
[www.Emerson.com/Branson](http://www.Emerson.com/Branson)