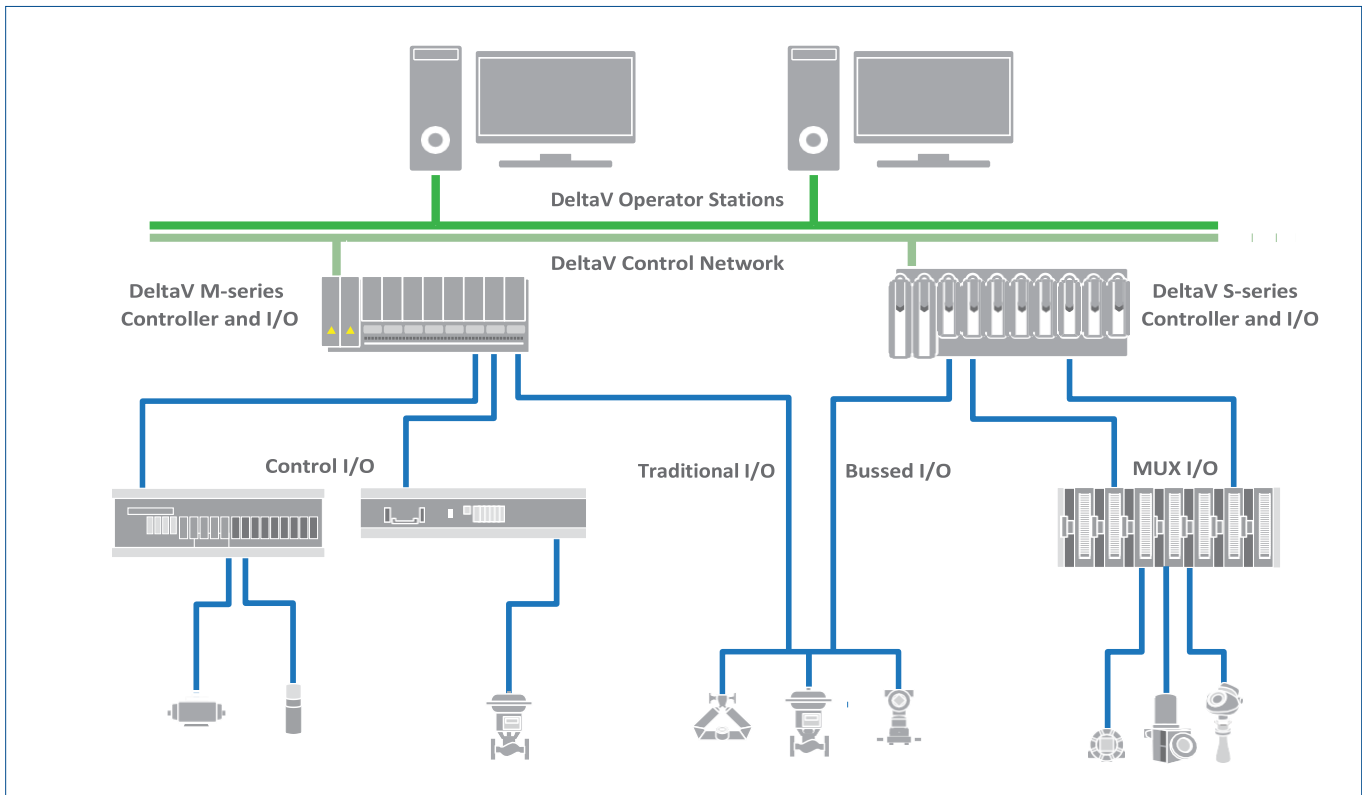


DeltaV™ Flex.Connect Solutions for PROVOX™ MUX I/O



DeltaV™ Flex.Connect Solutions for PROVOX™ MUX I/O.

- Reduce business risks by minimizing process downtime
- Save 75% of installation costs
- Preserve HART® signals

Introduction

If concerns about downtime and wiring costs are preventing you from migrating your PROVOX™ system to a new DeltaV™ system, then consider DeltaV Flex.Connect solutions for PROVOX MUX I/O.

Benefits

Reduce business risks by minimizing process downtime. This solution brings device signals to DeltaV I/O from existing PROVOX MUX I/O terminations. Keeping device wires intact accelerates the new system startup, enabling you to rapidly resume production.

Save 75% of installation costs. Eliminating new field wiring saves money and reduces the risk of errors. Time and materials savings are significant.

Product Description and Specification

DeltaV Flex.Connect solutions provide direct connection from replacement PROVOX MUX I/O migration adaptor cards to M-series or S-series DeltaV I/O card mass-connection termination or standard terminal blocks.

The following PROVOX point types have DeltaV Flex.Connect solutions as described here:

Analog Inputs (AI)

Eight PROVOX 4-20mA Analog Input single-ended connects to one 8 channel DeltaV AI HART card or one 16 channel DeltaV AI HART card.

Eight PROVOX 0-10 / 1-5 V Analog Input connects to two 4 channel DeltaV AI Isolated cards.

Analog Outputs (AO)

Four PROVOX 4-20mA Analog Outputs connects to one 8 channel DeltaV AO HART card or one 16 channel AO HART card.



Digital Inputs (DI)

Eight PROVOX 24 VDC dry contact Digital Inputs connects to one 8 channel DeltaV DI 24 VDC card dry contact or one 32 channel DI 24 VDC dry contact card.

Digital Outputs (DO)

Eight PROVOX 24 VDC Digital Outputs connects to one 8 channel DeltaV DO high-side 24 VDC card or one 32 channel DO high-side 24 VDC card.

Ordering Information

For inquiries and ordering information, please contact your local Emerson sales office. Please specify required cable lengths on your request. Please specify if conformation coating is required on the migration adaptors. For reference, DeltaV Flex.Connect solutions for specific PROVOX MUX I/O models are indicated in the following table:

Flex.Connect Solution #	PROVOX MUX I/O Models	PROVOX Signals	DeltaV I/O Card Types	Flex.Connect Solutions Model Numbers	Solution Type
FC-P1-SOL-2-10	Analog Input, DM6321 ⁽¹⁾	8 AI, 4-20mA	8 HART AI 16 HART AI	DIA-AI-01 -1 & Required Cabling solutions	Migration Adaptors and Cables
FC-P1-SOL-2-11	Analog Input, DM6311 Analog Input, 4-wire, DM6321 ⁽¹⁾	8 AI, 0-10V, 1-5V 8 AI, 4-20mA	4 AI Isolated (x2) 8 HART AI 16 HART AI	DIA-AI-02-1 & Required Cabling solutions	
FC-P1-SOL-1-20	Analog Output, DM6421	4 AO, 4-20mA	8 HART AO 16 HART AO	DIA-AO-01-1 & Required Cabling solutions	
FC-P1-SOL-1-21	Analog Output, DM6411	4 AO, 1-5V	8 HART AO 16 HART AO	DIA-AO-02-1 & Required Cabling solutions	
FC-P1-SOL-2-50	Discrete Input, DM6362	8 DI, 24 VDC, Dry Contact	8 DI 32 DI	DIA-DI-01-1 & Required Cabling solutions	
FC-P1-SOL-2-60	Discrete Output, DM6461	8 DO, 24 VDC	8 DO 32 DO	DIA-DO-01-1 & Required Cabling solutions	
FC-P1-SOL-2-61	Discrete Relay Output, DM6462	8 DO	8 DO 32 DO	DIA-DO-02-1 and -2 & Required Cabling solutions	

Notes:

⁽¹⁾The 250-ohm range-resistors must be removed from the terminal block.

Prerequisites

A preliminary site visit is required to survey installed control system architecture and electrical grounding practices, to document I/O models and numbers of each, and to review schedule constraints and turnaround objectives. Qualified Emerson engineers or technicians perform site reviews.

Services

For help in planning, justifying, or implementing your system migration, contact your local Emerson representative. Expert consultants are available to advise you on a variety of concerns including safety system design, implementation and standards compliance: digital buses, wireless applications, control performance and process optimization.

Emerson

North America, Latin America:

1100 W. Louis Henna Blvd. Round
Rock, TX 78681-7430

☎ +1 800 833 8314 or

☎ +1 512 832 3774

Asia Pacific:

☎ +65 6777 8211

Europe, Middle East:

☎ +41 41 768 6111

🌐 www.emerson.com/deltav

©2024, Emerson. All rights reserved.

The Emerson logo is a trademark and service mark of Emerson Electric Co. The DeltaV logo is a mark of one of the Emerson family of companies. All other marks are the property of their respective owners.

The contents of this publication are presented for informational purposes only, and while every effort has been made to ensure their accuracy, they are not to be construed as warranties or guarantees, express or implied, regarding the products or services described herein or their use or applicability. All sales are governed by our terms and conditions, which are available on request. We reserve the right to modify or improve the designs or specifications of our products at any time without notice.