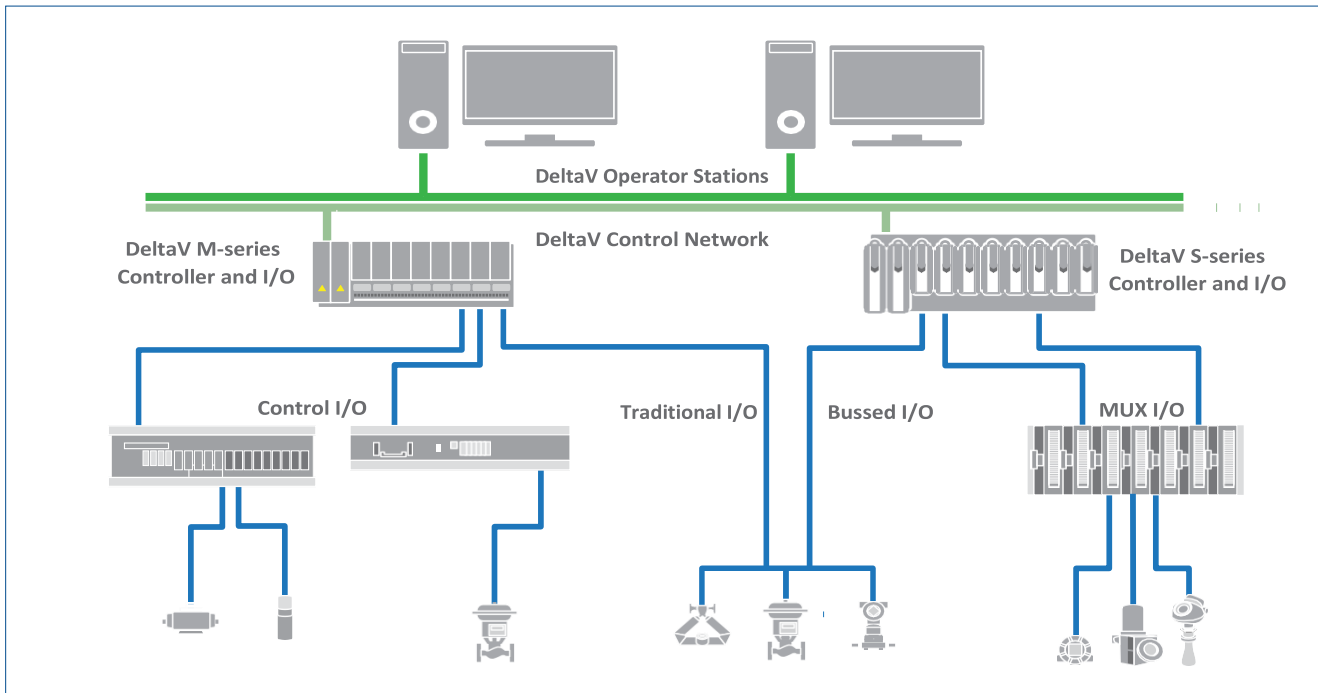


DeltaV™ Flex.Connect Solutions for PROVOX™ Control I/O



DeltaV™ Flex.Connect Solutions for PROVOX™ Control I/O.

- Reduce business risks by minimizing process downtime
- Save 75% of installation costs
- Preserve HART® signals

Introduction

If concerns about downtime and wiring costs are preventing you from migrating your PROVOX™ system to a new DeltaV™ system, then consider DeltaV Flex.Connect solutions for PROVOX Control I/O.

Benefits

Reduce business risks by minimizing process downtime. This solution brings device signals to DeltaV I/O from existing PROVOX I/O terminations. Keeping device wires intact accelerates the new system startup, enabling you to rapidly resume production.

Save 75% of installation costs. Eliminating new field wiring saves money and reduces the risk of errors. Time and materials savings are significant.

Preserve HART signals. Use HART® Pass-through for complete diagnostics at the DeltaV Operator Station.

Product Description and Specification

DeltaV Flex.Connect solutions provide direct connection from PROVOX Control I/O termination assemblies to M-series or S-series DeltaV I/O card terminal blocks.

The following PROVOX point types have DeltaV Flex.Connect solutions as described here:

Analog Inputs (AI)

Sixteen PROVOX Analog / SMART Inputs cable connects to two 8 channel DeltaV AI HART cards or one 16 channel DeltaV AI HART card.

Analog Outputs (AO)

Eight PROVOX Analog / SMART Outputs cable connects to an 8 channel DeltaV AO HART card.

Digital Inputs (DI)

Sixteen PROVOX Digital Inputs cable connects to two 8 channel DeltaV DI cards or one 32 channel DI⁽²⁾ card.

Digital Outputs (DO)

Sixteen PROVOX Digital Outputs connects to two 8 channel DeltaV DO cards or one 32 channel DO card.

Digital Inputs / Outputs (DIO)

Sixteen PROVOX Digital Inputs or Outputs connects to two 32 channel DeltaV DI⁽²⁾/DO cards.

Ordering Information

For inquiries and ordering information, please contact your local Emerson sales office. Please specify required cable lengths on your request. For reference, DeltaV Flex.Connect solutions for specific PROVOX termination panel models are indicated in the following table: (Note: DeltaV Flex.Connect solutions drawings are available upon request.)

Flex.Connect Solution #	PROVOX Control I/O Models	PROVOX Signals	DeltaV I/O Card Types	Flex.Connect Solutions Drawing Numbers	Solution Type
FC-P2-CBL-3-10	Analog Input CL6861, 62, 95 ⁽¹⁾ , 96 ⁽¹⁾ SMART Input CL6881, 82, 95 ⁽¹⁾ , 96 ⁽¹⁾	16 AI	16 HART AI 8 HART AI (two)	FC-P2-AI FC-P2-CAB-AI	Cable Only
FC-P2-CBL-2-20	Analog Output CL6871, 72, 85, 86 SMART Output CL6885, 86	8 AO	8 HART AO	FC-P2-AO FC-P2-CAB-AO	
FC-P2-CBL-3-53	Discrete Input CL6781, 83, 84, 87, 88	16 DI	32 DI ⁽²⁾ , 8 DI (two)	FC-P2-DI FC-P2-CAB-DI	
FC-P2-SOL-3-62	Discrete Output CL6781, 83, 84, 87, 88	16 DO	8 DO (two)	FC-P2-123-DO FC-UC-5302	Cable and Interface Panel
FC-P2-SOL-3-82	Discrete Input / Output CL6781, 83, 84, 87, 88	16 DIO	32 DI ⁽²⁾ , 32 DO	FC-P2-124-DIO FC-UC-5305	
FC-P2-SOL-3-63	Discrete Output CL6781, 83, 84, 87, 88, Relay Output CL6773, 74, 75, 76	16 DO	32 DO	FC-P2-126-DO FC-UC-5305	

Notes:

- (1) The CL6895 and CL6896 Analog / SMART input termination panels require CL6859 dual channel SMART input modules to be installed. Analog input single-ended modules will not pass the field signal to the DeltaV AI card; if these type of input modules are present on the termination panels they must be upgraded to SMART input modules.
- (2) The DI solutions are not compatible with the new 32-channel Series 2 Plus 24 VDC DI card. The older 32-channel Series 2 DI 24 VDC card or the 8-channel DI 24 VDC card must be utilized with these solutions.

Prerequisites

A preliminary site visit is required to survey installed control system architecture and electrical grounding practices, to document I/O models and numbers of each, and to review schedule constraints and turnaround objectives. Qualified Emerson engineers or technicians perform site reviews.

Services

For help in planning, justifying, or implementing your system migration, contact your local Emerson representative. Expert consultants are available to advise you on a variety of concerns including safety system design, implementation and standards compliance; digital buses, wireless applications, control performance and process optimization.

Emerson

North America, Latin America:

1100 W. Louis Henna Blvd. Round
Rock, TX 78681-7430

☎ +1 800 833 8314 or

☎ +1 512 832 3774

Asia Pacific:

☎ +65 6777 8211

Europe, Middle East:

☎ +41 41 768 6111

🌐 www.emerson.com/deltav

©2024, Emerson. All rights reserved.

The Emerson logo is a trademark and service mark of Emerson Electric Co. The DeltaV logo is a mark of one of the Emerson family of companies. All other marks are the property of their respective owners.

The contents of this publication are presented for informational purposes only, and while every effort has been made to ensure their accuracy, they are not to be construed as warranties or guarantees, express or implied, regarding the products or services described herein or their use or applicability. All sales are governed by our terms and conditions, which are available on request. We reserve the right to modify or improve the designs or specifications of our products at any time without notice.