

Rosemount™ 8750W Magnetic Flowmeter Sensor



1 Handling and Lifting Safety

CAUTION

To reduce the risk of personal injury or damage to equipment, follow all lifting and handling instructions.

- Handle all parts carefully to prevent damage. Whenever possible, transport the system to the installation site in the original shipping container.
 - PTFE-lined sensors are shipped with end covers that protect it from both mechanical damage and normal unrestrained distortion. Remove the end covers just before installation.
 - Keep the shipping plugs in the conduit ports until you are ready to connect and seal them. Appropriate care should be taken to prevent water ingress.
 - The sensor should be supported by the pipeline. Pipe supports are recommended on both the inlet and outlet sides of the sensor pipeline. There should be no additional support attached to the sensor.
 - Use proper PPE (Personal Protection Equipment) including safety glasses and steel toed shoes.
 - Do not lift the meter by holding the electronics housing or junction box.
 - The sensor liner is vulnerable to handling damage. Never place anything through the sensor for the purpose of lifting or gaining leverage. Liner damage can render the sensor useless.
 - Do not drop the device from any height.
-

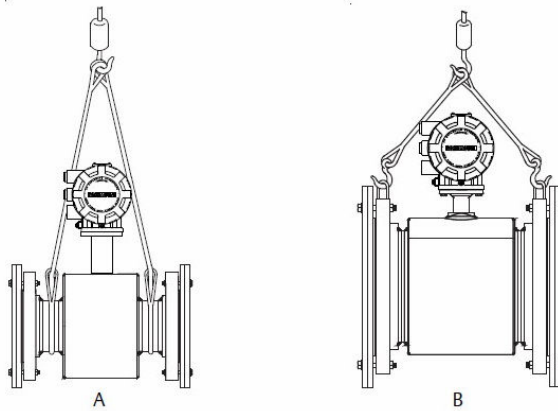
1.1 Lifting lugs

⚠ CAUTION

If provided, use the lifting lugs on each flange to handle the Magnetic Flowmeter when it is transported and lowered into place at the installation site. If lifting lugs are not provided, the Magnetic Flowmeter must be supported with a lifting sling on each side of the housing.

- Standard pressure 3-in. through 48-in. flanged magnetic flowmeters come with lifting lugs.

Figure 1-1: Example lifting without and with lifting lugs



A. Without lifting lugs

B. With lifting lugs

2 Introduction

This document provides basic installation guidelines for the Rosemount 8750W Magnetic Flowmeter sensor.

- For transmitter installation instructions, refer to the appropriate document:

Product model number	Document number ⁽¹⁾
8750WDMTxAxxx / 8750WDMRxAxxx	00825-01xx-4444
8750WDMTxFxxx / 8750WDMRxFxxx	00825-05xx-4444
8750WDMTxMxxx / 8750WDMRzMxxx	00825-04xx-4444
8750WDMWxAxxx	00825-01xx-4445
8750WDMWxFxxx	00825-05xx-4445
8750WDMWxMxxx	00825-04xx-4445
8750WDEWxAxxx	00825-01xx-4664

(1) "xx" in the second segment of the document number indicates the language. See [Table 2-1](#).

Table 2-1: Document language codes

Code	Language
00	English
02	Italian
03	French
05	German
06	Chinese (Simplified)
07	Russian
09	Spanish
15	Korean
22	Portuguese (Brazilian)

- For additional installation information, configuration, maintenance, and troubleshooting, refer to the appropriate reference manual.

All user documentation can be found at www.emerson.com. For more contact information see [Emerson Flow customer service](#).

2.1 Return policy

Emerson procedures must be followed when returning equipment. These procedures ensure legal compliance with government transportation agencies and help provide a safe working environment for Emerson employees. Failure to follow Emerson procedures will result in your equipment being refused delivery.

2.2 Emerson Flow customer service

Email:

- Worldwide: flow.support@emerson.com
- Asia-Pacific: APflow.support@emerson.com

Telephone:

North and South America		Europe and Middle East		Asia Pacific	
United States	800 522 6277	U.K.	0870 240 1978	Australia	800 158 727
Canada	+1 303 527 5200	The Netherlands	+31 (0) 704 136 666	New Zealand	099 128 804
Mexico	+41 (0) 41 7686 111	France	0800 917 901	India	800 440 1468
Argentina	+54 11 4837 7000	Germany	0800 182 5347	Pakistan	888 550 2682
Brazil	+55 15 3413 8000	Italy	8008 77334	China	+86 21 2892 9000
Venezuela	+58 26 1731 3446	Central & Eastern	+41 (0) 41 7686 111	Japan	+81 3 5769 6803
		Russia/CIS	+7 495 981 9811	South Korea	+82 2 3438 4600
		Egypt	0800 000 0015	Singapore	+65 6 777 8211
		Oman	800 70101	Thailand	001 800 441 6426
		Qatar	431 0044	Malaysia	800 814 008
		Kuwait	663 299 01		
		South Africa	800 991 390		
		Saudi Arabia	800 844 9564		
		UAE	800 0444 0684		

3 Location and Position

3.1 Environmental considerations

To ensure maximum transmitter life, avoid extreme temperatures and excessive vibration. Typical problem areas include the following:

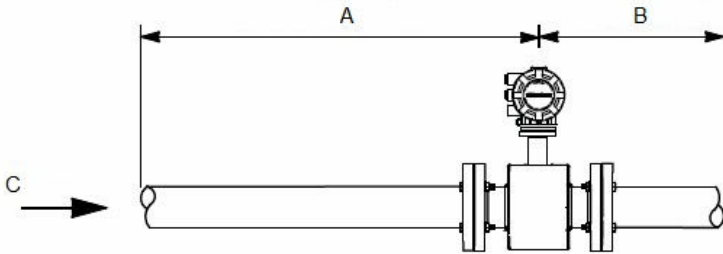
- High-vibration lines with integrally mounted transmitters
- Tropical/desert installations in direct sunlight
- Outdoor installations in arctic climates

Remote mounted transmitters may be installed in the control room to protect the electronics from the harsh environment and to provide easy access for configuration or service.

3.2 Upstream and downstream piping

To ensure specified accuracy over widely varying process conditions, install the sensor with a minimum of five straight pipe diameters upstream and two pipe diameters downstream from the electrode plane.

Figure 3-1: Upstream and downstream straight pipe diameters



- A. Five pipe diameters (upstream)
- B. Two pipe diameters (downstream)
- C. Flow direction

Installations with reduced upstream and downstream straight runs are possible. In reduced straight run installations, the meter may not meet accuracy specifications. Reported flow rates will still be highly repeatable.

3.3 Flow direction

The sensor should be mounted so that the arrow points in the direction of flow.

Figure 3-2: Flow direction arrow

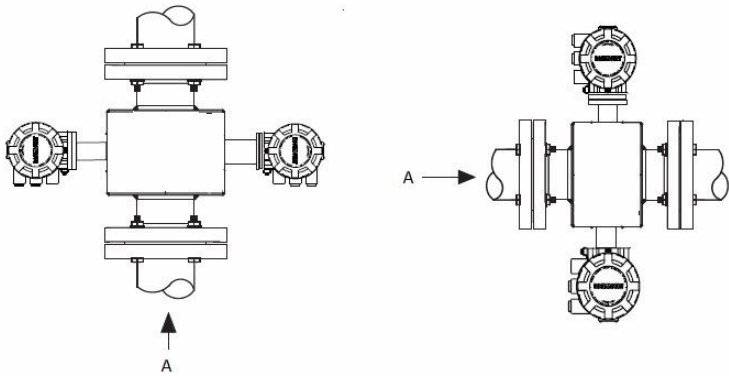


3.4 Sensor piping location and orientation

The sensor should be installed in a location that ensures it remains full during operation. Depending on where it is installed, orientation must also be considered.

- Vertical installation with upward process fluid flow keeps the cross-sectional area full, regardless of flow rate.
- Horizontal installation should be restricted to low piping sections that are normally full.

Figure 3-3: Sensor orientation

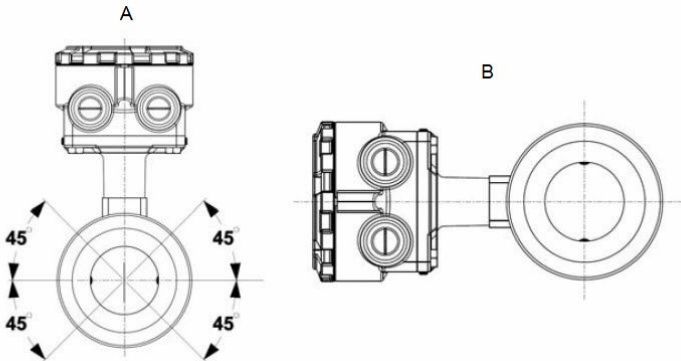


A. Flow direction

3.5 Electrode orientation

The electrodes in the sensor are properly oriented when the two measurement electrodes are in the 3 and 9 o'clock positions or within 45 degrees from the horizontal, as shown on the left side of [Figure 3-4](#). Avoid any mounting orientation that positions the top of the sensor at 90 degrees from the vertical position as shown on the right of [Figure 3-4](#).

Figure 3-4: Electrode orientation



- A. *Correct orientation*
- B. *Incorrect orientation*

The sensor may require a specific orientation to comply with Hazardous Area T-code rating. Refer to the appropriate reference manual for any potential restrictions.

4 Sensor installation

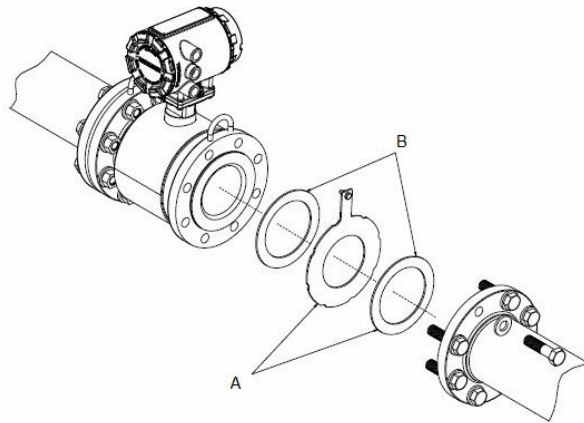
Gaskets

The sensor requires a gasket at each process connection. The gasket material must be compatible with the process fluid and operating conditions. Gaskets are required on each side of a grounding ring (see [Figure 4-1](#)). All other applications (including sensors with lining protectors or a grounding electrode) require only one gasket on each process connection.

Note

Metallic or spiral-wound gaskets should not be used as they will damage the liner face of the sensor. If spiral wound or metallic gaskets are required for the application, lining protectors must be used.

Figure 4-1: Gasket placement for flanged sensors



- A. Grounding ring and gasket (optional)
- B. Customer-supplied gasket

Bolts

Note

Do not bolt one side at a time. Tighten both sides simultaneously. Example:

1. Snug upstream
2. Snug downstream
3. Tighten upstream
4. Tighten downstream

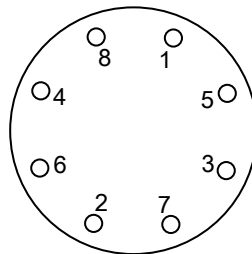
Do not snug and tighten the upstream side and then snug and tighten the downstream side. Failure to alternate between the upstream and downstream flanges when tightening bolts may result in liner damage.

Suggested torque values by sensor line size and liner type are listed in [Table 4-2](#) for ASME B16.5 flanges and [Table 4-3](#) or [Table 4-4](#) for EN flanges. Consult the factory if the flange rating of the sensor is not listed. Tighten flange bolts on the upstream side of the sensor in the incremental sequence shown in [Figure 4-2](#) to 20% of the suggested torque values. Repeat the process on the downstream side of the sensor. For sensors with greater or fewer flange bolts, tighten the bolts in a similar crosswise sequence. Repeat this entire tightening sequence at 40%, 60%, 80%, and 100% of the suggested torque values.

If leakage occurs at the suggested torque values, the bolts can be tightened in additional 10% increments until the joint stops leaking, or until the measured torque value reaches the maximum torque value of the bolts. Practical consideration for the integrity of the liner often leads to distinct torque values to stop leakage due to the unique combinations of flanges, bolts, gaskets, and sensor liner material.

Check for leaks at the flanges after tightening the bolts. Failure to use the correct tightening methods can result in severe damage. While under pressure, sensor materials may deform over time and require a second tightening 24 hours after the initial installation.

Figure 4-2: Flange bolt torquing sequence



Prior to installation, identify the lining material of the flow sensor to ensure the suggested torque values are applied.

Table 4-1: Lining material

Fluoropolymer liners	Non-fluoropolymer liners
T - PTFE	P - Polyurethane

Table 4-2: Suggested flange bolt torque values for Rosemount 8750W (ASME)

Size code	Line size	Fluoropolymer liners		Other liners	
		Class 150 (lb-ft)	Class 300 (lb-ft)	Class 150 (lb-ft)	Class 300 (lb-ft)
005	0.5 inch (15 mm)	8	8	N/A	N/A
010	1 inch (25 mm)	8	12	6	10
015	1.5 inch (40 mm)	13	25	7	18
020	2 inch (50 mm)	19	17	14	11
025	2.5 inch (65 mm)	22	24	17	16
030	3 inch (80 mm)	34	35	23	23
040	4 inch (100 mm)	26	50	17	32
050	5 inch (125 mm)	36	60	25	35
060	6 inch (150 mm)	45	50	30	37
080	8 inch (200 mm)	60	82	42	55
100	10 inch (250 mm)	55	80	40	70
120	12 inch (300 mm)	65	125	55	105
140	14 inch (350 mm)	85	110	70	95
160	16 inch (400 mm)	85	160	65	140
180	18 inch (450 mm)	120	170	95	150
200	20 inch (500 mm)	110	175	90	150
240	24 inch (600 mm)	165	280	140	250
300	30 inch (750 mm)	195	415	165	375
360	36 inch (900 mm)	280	575	245	525

Table 4-3: Suggested flange bolt torque values for Rosemount 8750W sensors with fluoropolymer liners (EN 1092-1)

Size code	Line size	Fluoropolymer liners (in Newton-meters)			
		PN 10	PN 16	PN 25	PN 40
005	0.5 inch (15 mm)	N/A	N/A	N/A	10
010	1 inch (25 mm)	N/A	N/A	N/A	20
015	1.5 inch (40 mm)	N/A	N/A	N/A	50
020	2 inch (50 mm)	N/A	60	N/A	60
025	2.5 inch (65 mm)	N/A	50	N/A	50

Table 4-3: Suggested flange bolt torque values for Rosemount 8750W sensors with fluoropolymer liners (EN 1092-1) (continued)

Size code	Line size	Fluoropolymer liners (in Newton-meters)			
		PN 10	PN 16	PN 25	PN 40
030	3 inch (80 mm)	N/A	50	N/A	50
040	4 inch (100 mm)	N/A	50	N/A	70
050	5.0 inch (125 mm)	N/A	70	N/A	100
060	6 inch (150mm)	N/A	90	N/A	130
080	8 inch (200 mm)	130	90	130	170
100	10 inch (250 mm)	100	130	190	250
120	12 inch (300 mm)	120	170	190	270
140	14 inch (350 mm)	160	220	320	410
160	16 inch (400 mm)	220	280	410	610
180	18 inch (450 mm)	190	340	330	420
200	20 inch (500 mm)	230	380	440	520
240	24 inch (600 mm)	290	570	590	850

Table 4-4: Suggested flange bolt torque values for Rosemount 8750W sensors with non-fluoropolymer liners (EN 1092-1)

Size code	Line size	Non-fluoropolymer liners (in Newton-meters)			
		PN 10	PN 16	PN 25	PN 40
005	0.5 inch (15 mm)	N/A	N/A	N/A	20
010	1 inch (25 mm)	N/A	N/A	N/A	30
015	1.5 inch (40 mm)	N/A	N/A	N/A	40
020	2 inch (50 mm)	N/A	30	N/A	30
025	2.5 inch (65 mm)	N/A	35	N/A	35
030	3 inch (80 mm)	N/A	30	N/A	30
040	4 inch (100 mm)	N/A	40	N/A	50
050	5.0 inch (125 mm)	N/A	50	N/A	70
060	6 inch (150mm)	N/A	60	N/A	90
080	8 inch (200 mm)	90	60	90	110
100	10 inch (250 mm)	70	80	130	170
120	12 inch (300 mm)	80	110	130	180

Table 4-4: Suggested flange bolt torque values for Rosemount 8750W sensors with non-fluoropolymer liners (EN 1092-1) (continued)

Size code	Line size	Non-fluoropolymer liners (in Newton-meters)			
		PN 10	PN 16	PN 25	PN 40
140	14 inch (350 mm)	110	150	210	288
160	16 inch (400 mm)	150	190	280	410
180	18 inch (450 mm)	130	230	220	280
200	20 inch (500 mm)	150	260	300	350
240	24 inch (600 mm)	200	380	390	560

Table 4-5: Suggested flange bolt torque values for Rosemount 8750W with fluoropolymer liners (AWWA C207)

Size code	Line size	Class D (lb-ft)	Class E (lb-ft)	Class F (lb-ft)
300	30 inch (750 mm)	195	195	195
360	36 inch (900 mm)	280	280	280

Table 4-6: Suggested flange bolt torque values for Rosemount 8750W with non-fluoropolymer liners (AWWA C207)

Size code	Line size	Class D (lb-ft)	Class E (lb-ft)	Class F (lb-ft)
300	30 inch (750 mm)	165	165	165
360	36 inch (900 mm)	245	245	245
400	40 inch (1000 mm)	757	757	N/A
420	42 inch (1050 mm)	839	839	N/A
480	48 inch (1200 mm)	872	872	N/A

5 Process reference connection

The figures shown in this section illustrate best practice installations for process reference connections only. For installations in conductive, unlined pipe it may be acceptable to use one ground ring or one lining protector to establish a process reference connection. Earth safety ground is also required as part of this installation, but is not shown in the figures. Follow national, local, and plant electrical codes for safety ground.

Use [Table 5-1](#) to determine which process reference option to follow for proper installation.

Table 5-1: Process reference options

Type of pipe	Grounding straps	Grounding rings	Reference electrode	Lining protectors
Conductive unlined pipe	See Figure 5-1	See Figure 5-2	See Figure 5-4	See Figure 5-2
Conductive lined pipe	Insufficient grounding	See Figure 5-2	See Figure 5-1	See Figure 5-2
Non-conductive pipe	Insufficient grounding	See Figure 5-3	Not recommended	See Figure 5-3

Note

For line sizes 10-inch and larger the ground strap may come attached to the sensor body near the flange. See [Figure 5-5](#).

Figure 5-1: Grounding straps in conductive unlined pipe or reference electrode in lined pipe

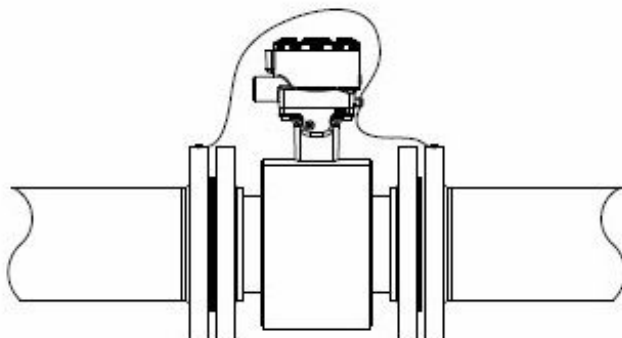
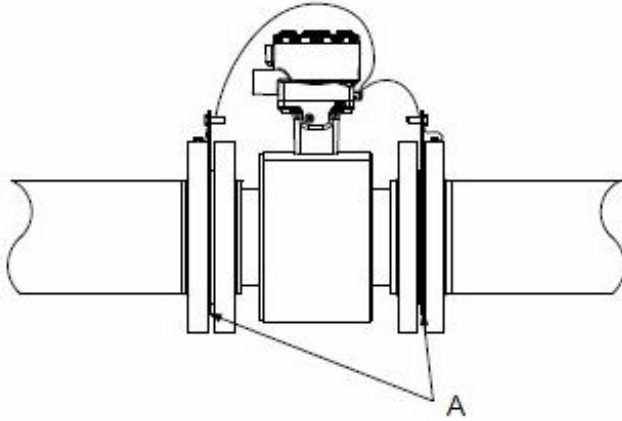
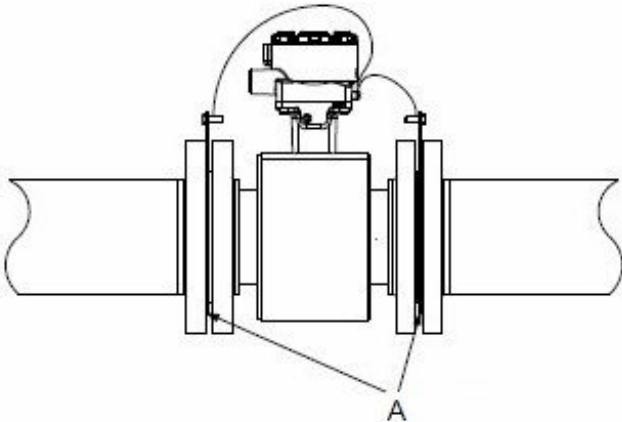


Figure 5-2: Grounding with grounding rings or lining protectors in conductive pipe



A. Grounding rings or lining protectors

Figure 5-3: Grounding with grounding rings or lining protectors in non-conductive pipe



A. Grounding rings or lining protectors

Figure 5-4: Grounding with reference electrode in conductive unlined pipe

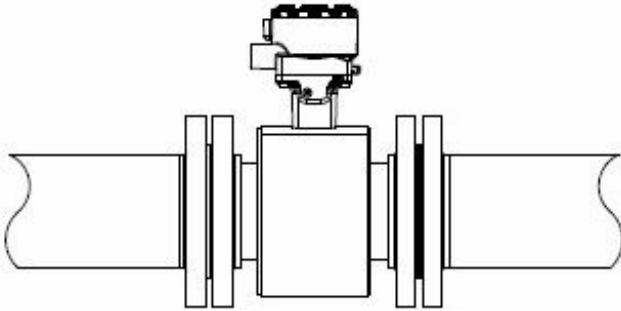
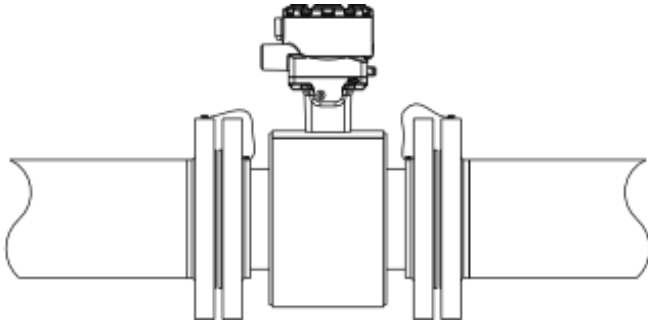


Figure 5-5: Grounding for line sizes 10-in. and larger



6 Installation and wiring drawings

THIS SHEET FOR 872EM OR 8750EMW TRANSMITTER WIRING USING COMPONENT CABLES

MODEL 8721 FLOWTUBES

MODEL 8705 FLOWTUBES

TO POWER SUPPLY

DETAIL 'A'

17 ELECTRO SHIELD-DRAIN
W/O ILLUMINATED CONDUCTORS
FOR MAINTENANCE OF THE SHIELD FROM SHORTS

0.89"/22.5mm
0.283"/7.1mm
0.283"/7.1mm
0.283"/7.1mm

DETAIL 'B'

17M 450D OMB INSULATED CONDUCTORS
OVERLAPPING
FOIL SHIELD
0.283"/7.1mm
0.283"/7.1mm

TERMINAL NUMBER AND CONDUCTOR INSULATOR COLOR

TERMINAL	INSULATOR	WIRE COLOR
1	RED	RED
2	ORANGE	ORANGE
3	YELLOW	YELLOW
4	GREEN	GREEN
5	BLUE	BLUE
6	PURPLE	PURPLE
7	BROWN	BROWN
8	BLACK	BLACK
9	WHITE	WHITE
10	GRAY	GRAY
11	PINK	PINK
12	TEAL	TEAL
13	LAVENDER	LAVENDER
14	SLATE	SLATE
15	OLIVE	OLIVE
16	INDIGO	INDIGO
17	VIOLET	VIOLET
18	BROWN	BROWN
19	BLACK	BLACK

WIRING NOTE

TERMINALS 1-19 ARE IDENTIFIED BY THE COLOR OF THE WIRE INSULATOR AND THE NUMBER OF THE TERMINAL IS NOT CONNECTED TO THE WIRE END IN THE WIRE INSTALLATION.

AN ADDITIONAL CONNECTED SAFETY GROUND CONDUCTOR WILL BE REQUIRED IN INSTALLATIONS REQUIRING SHIELDS AT EACH END OF THE SAFETY GROUND AT THE DEVICE WITHIN THE SAFETY GROUND.

SEE DETAIL 'A' FOR THE CABLE WITH THE CONDUCTORS.

SEE DETAIL 'B' FOR THE CABLE WITH THE CONDUCTORS.

CABLE WIRING REQUIRE USING LABEL GRIDS INSTALLED IN WIRING CONNECTS. LIMITED CONNECTS SHOULD BE USED.

OUTPUT DETAIL

OUTPUT	MAXIMUM AVAILABLE CURRENT	WIRING REQUIREMENTS
1	100mA	18 AWG
2	100mA	18 AWG
3	100mA	18 AWG
4	100mA	18 AWG
5	100mA	18 AWG
6	100mA	18 AWG
7	100mA	18 AWG
8	100mA	18 AWG
9	100mA	18 AWG
10	100mA	18 AWG
11	100mA	18 AWG
12	100mA	18 AWG
13	100mA	18 AWG
14	100mA	18 AWG
15	100mA	18 AWG
16	100mA	18 AWG
17	100mA	18 AWG
18	100mA	18 AWG
19	100mA	18 AWG

⚠️ REPLACE SAFETY CAPS BEFORE USE.

⚠️ OUTPUT IS RELATIVELY INSENSITIVE.

REVISION TABLE

REVISION	DATE	BY	REASON
1	05/15/19

TERMINAL NUMBER AND CONDUCTOR INSULATOR COLOR

TERMINAL	INSULATOR	WIRE COLOR
1	RED	RED
2	ORANGE	ORANGE
3	YELLOW	YELLOW
4	GREEN	GREEN
5	BLUE	BLUE
6	PURPLE	PURPLE
7	BROWN	BROWN
8	BLACK	BLACK
9	WHITE	WHITE
10	GRAY	GRAY
11	PINK	PINK
12	TEAL	TEAL
13	LAVENDER	LAVENDER
14	SLATE	SLATE
15	OLIVE	OLIVE
16	INDIGO	INDIGO
17	VIOLET	VIOLET
18	BROWN	BROWN
19	BLACK	BLACK

7 Product Certifications

For detailed approval certification information and installation drawings, please see the appropriate document listed below:

- Document number 00825-MA00-0004: *Rosemount 8750W Approval Document - IECEx and ATEX*
- Document number 00825-MA00-0005: *Rosemount 8750W Approval Document – Class Division*
- Document number 00825-MA00-0006: *Rosemount 8750W Approval Document – North America Zone*



Quick Install Guide
00825-0100-4750, Rev. DC
May 2019

Emerson Automation Solutions USA

7070 Winchester Circle
Boulder, Colorado USA 80301
T +1 303-527-5200
T +1 800-522-6277
F +1 303-530-8459
www.emerson.com

Emerson Automation Solutions Asia

1 Pandan Crescent
Singapore 128461
Republic of Singapore
T +65 6363-7766
F +65 6770-8003

Emerson Automation Solutions Europe

Neonstraat 1
6718 WX Ede
The Netherlands
T +31 (0) 70 413 6666
F +31 (0) 318 495 556
www.micromotion.nl

Emerson Automation Solutions United Kingdom

Emerson Process Management Limited
Horsfield Way
Bredbury Industrial Estate
Stockport SK6 2SU U.K.
T +44 0870 240 1978
F +44 0800 966 181

©2019 Rosemount, Inc. All rights reserved.

The Emerson logo is a trademark and service mark of Emerson Electric Co. Rosemount, 8600, 8700, 8800 marks are marks of one of the Emerson Automation Solutions family of companies. All other marks are property of their respective owners.