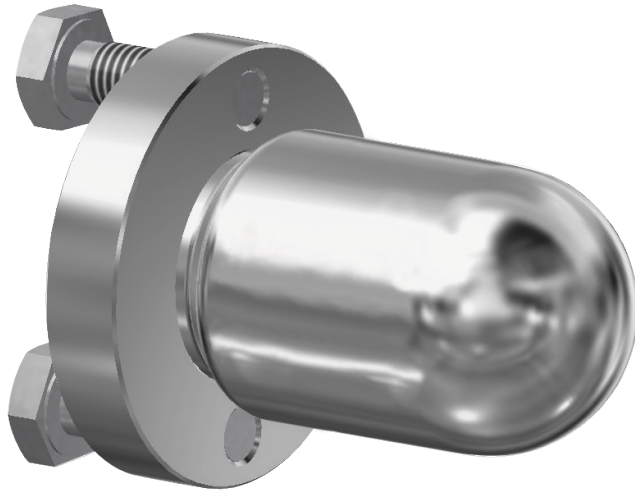




## YARWAY UB300 BIMETALLIC STEAM TRAP

For use with universal connectors



### FEATURES

- Sealed, non-repairable
- Modulating discharge
- Discharges condensate below steam temperature
- Excellent air discharge
- Operates on superheated steam
- Unaffected by water hammer and vibration

### GENERAL APPLICATION

UB300 complete stainless steel, maintenance-free, sealed bimetallic steam traps and air eliminators are simple and robust traps, recommended for drip service, steam tracing and other applications where condensate sensible heat can be recovered.

These traps fit the Yarway universal connectors.

### TECHNICAL DATA

|                   |                                  |
|-------------------|----------------------------------|
| Options:          | Different operating limits       |
| Use:              | Saturated and superheated steam  |
| Available Models: | UB300                            |
| Sizes:            | Based on the universal connector |
| Installation:     | In any position                  |

# YARWAY UB300 BIMETALLIC STEAM TRAP

## FLOW RATE CAPACITY IN lb/h

| Model     | DIFFERENTIAL PRESSURE (psi) |      |      |      |      |      |      |      |      |      |
|-----------|-----------------------------|------|------|------|------|------|------|------|------|------|
|           | 7.25                        | 14.5 | 29   | 58   | 87   | 116  | 145  | 174  | 203  | 247  |
| UB300 (A) | 276                         | 441  | 705  | 904  | 981  | 1069 | 1102 | 1190 | 1279 | 1323 |
| UB300 (B) | 992                         | 1543 | 2205 | 2690 | 2954 | 3197 | 3439 | 3638 | 3294 | 4079 |

**A** = Condensate discharge at 50°F below saturation temperature. **B** = Cold water capacity at about 68°F.

## FLOW RATE CAPACITY IN kg/h

| Model     | DIFFERENTIAL PRESSURE (bar) |     |      |      |      |      |      |      |      |      |
|-----------|-----------------------------|-----|------|------|------|------|------|------|------|------|
|           | 0.5                         | 1   | 2    | 4    | 6    | 8    | 10   | 12   | 14   | 17   |
| UB300 (A) | 125                         | 200 | 320  | 410  | 445  | 485  | 500  | 540  | 580  | 600  |
| UB300 (B) | 450                         | 700 | 1000 | 1220 | 1340 | 1450 | 1560 | 1650 | 1780 | 1850 |

**A** = Condensate discharge at 10°C below saturation temperature. **B** = Cold water capacity at about 20°C.

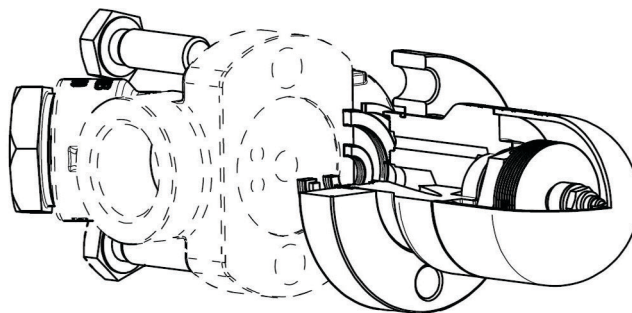
## BODY LIMITING CONDITIONS

| ANSI 300           |      |                     |          |
|--------------------|------|---------------------|----------|
| Allowable Pressure |      | Related Temperature |          |
| psi                | bar  | °F                  | °C       |
| 693                | 47.8 | 14 / 122            | -10 / 50 |
| 593                | 40.9 | 212                 | 100      |
| 499                | 34.4 | 392                 | 200      |
| 444                | 30.6 | 572                 | 300      |
| 415                | 28.6 | 752                 | 400      |

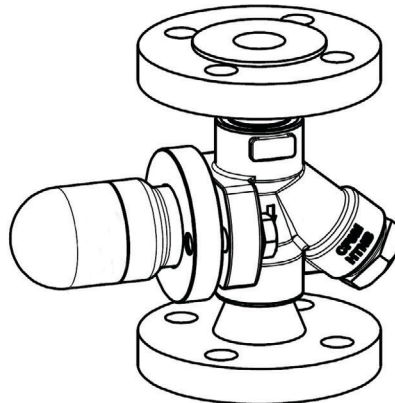
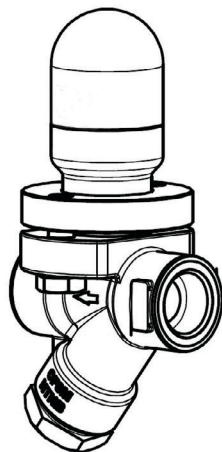
**PMO** - Max. Operating Pressure 247 psi (17 bar)

**TMO** - Max. Operating Temperature 482°F (250°C)

The connector may restrict the operating conditions to a lower rating.



## INSTALLATION



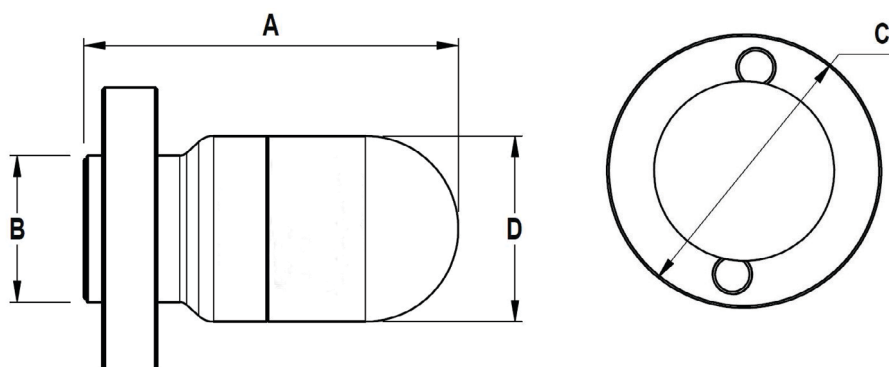
# YARWAY UB300 BIMETALLIC STEAM TRAP

## DIMENSIONS, inch

| MODEL | A    | B    | ØC   | ØD   | WEIGHT, lbs |
|-------|------|------|------|------|-------------|
| UB300 | 3.50 | 1.38 | 2.64 | 1.73 | 2.87        |

## DIMENSIONS, mm

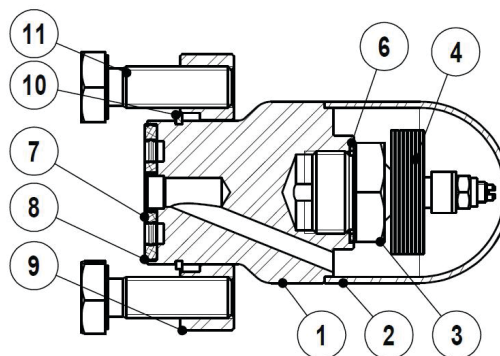
| MODEL | A  | B  | ØC | ØD | WEIGHT, kg |
|-------|----|----|----|----|------------|
| UB300 | 89 | 35 | 67 | 44 | 1.3        |



## MATERIALS

| POS. NR. | DESIGNATION    | MATERIAL            |
|----------|----------------|---------------------|
| 1        | Body           | AISI316 / 1.4401    |
| 2        | Cover          | AISI316 / 1.4401    |
| 3        | Valve Seat     | AISI304 / 1.4301    |
| 4        | Discs          | Bimetal             |
| 6        | Gasket         | Copper              |
| 7        | *Inlet Gasket  | St.Steel / Graphite |
| 8        | *Outlet Gasket | St.Steel / Graphite |
| 9        | Flange         | AISI316 / 1.4401    |
| 10       | Retainer Ring  | Steel               |
| 11       | Bolts          | ASTM A193 Gr.B7     |

\*Available spare parts.



Neither Emerson, Emerson Automation Solutions, nor any of their affiliated entities assumes responsibility for the selection, use or maintenance of any product. Responsibility for proper selection, use, and maintenance of any product remains solely with the purchaser and end user.

Yarway is a mark owned by one of the companies in the Emerson Automation Solutions business unit of Emerson Electric Co. Emerson Automation Solutions, Emerson and the Emerson logo are trademarks and service marks of Emerson Electric Co. All other marks are the property of their respective owners.

The contents of this publication are presented for informational purposes only, and while every effort has been made to ensure their accuracy, they are not to be construed as warranties or guarantees, express or implied, regarding the products or services described herein or their use or applicability. All sales are governed by our terms and conditions, which are available upon request. We reserve the right to modify or improve the designs or specifications of such products at any time without notice.

[Emerson.com/FinalControl](http://Emerson.com/FinalControl)