

MODELS

| | |
|----------------------|--------------|
| 2 NPT: | Type C477-16 |
| 2 NPT Tee Body: | Type C471-16 |
| 3 NPT: | Type C477-24 |
| 3 NPT Tee Body: | Type C471-24 |
| 3 in. Single Flange: | Type C484-24 |
| 3 in. Double Flange: | Type C483-24 |
| 3 NPT x Flange: | Type C486-24 |

OPTIONS

Seat Discs

Standard disc and O-ring material is Nitrile (NBR), Neoprene (CR), Viton® (FKM), Teflon® (PTFE) and Kalrez® (FFKM) available for most types.

Excess Flow Springs

| | |
|----------------------|---------------------------|
| 2 in. Valve: | 105, 150 and 250 GPM |
| 3 in. Single Flange: | 160, 250 and 400 GPM |
| 3 in. Double Flange: | 160, 265 and 400 GPM |
| 3 NPT, (incl. C486): | 160, 265, 375 and 460 GPM |

SUPERIOR SERVICE AND SUPPORT

Emerson's industry leading service and support offers a complete line of LPG equipment with a worldwide distribution network. Our experienced sales and support teams consist of more than 2,000 technical experts available to serve you from nearly 200 offices worldwide. Contact Emerson to learn more about our services.

Kalrez®, Teflon® and Viton® are marks owned by E.I. du Pont de Nemours and Co.

Americas

T +1 800 558 5853
T +1 972 548 3574

Europe

T +39 051 419 0611

Asia Pacific

T +65 6777 8211

Middle East / Africa

T +971 4811 8100

FISHER™

EMERSON

D450219T012 © 2009, 2020 Emerson Process Management Regulator Technologies, Inc. All rights reserved. 09/20.
The Emerson logo is a trademark and service mark of Emerson Electric Co. All other marks are the property of their prospective owners.
Fisher™ is a mark owned by Fisher Controls International LLC, a business of Emerson Automation Solutions.

EMERSON

JET BLEED
Internal™ Valve Technology



Emerson Automation Solutions
Pressure Management
3200 Emerson Way, PO Box 8004-75070,
McKinney, TX 75070

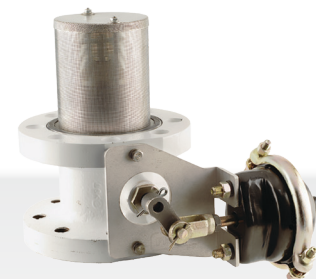
Fisher™ Internal Valves

An Industry Original Just Got Faster

Featuring

JET BLEED

Internal™ Valve Technology



TYPE C483



TYPE C484



TYPE C477



TYPE C486



TYPE C471

FISHER™

EMERSON

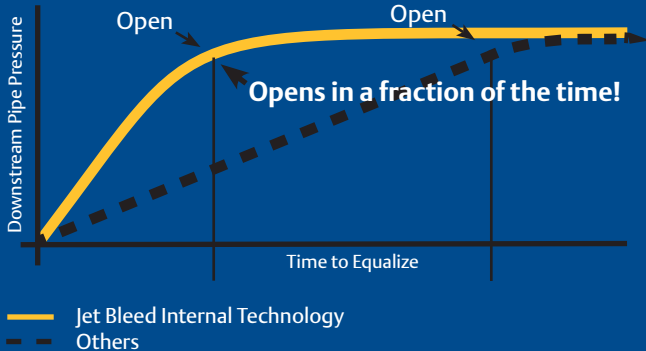
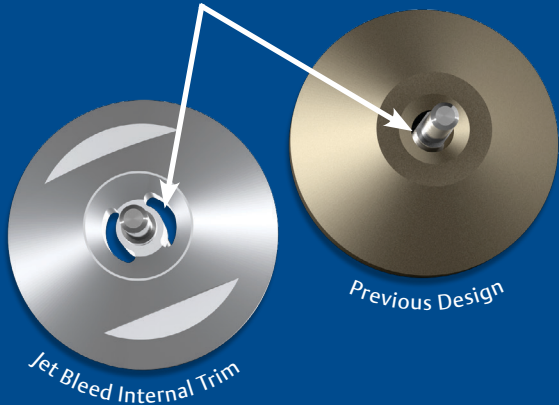
www.fisher.com
For Information Call 1-800-558-5853

PERFORMANCE and VALUE

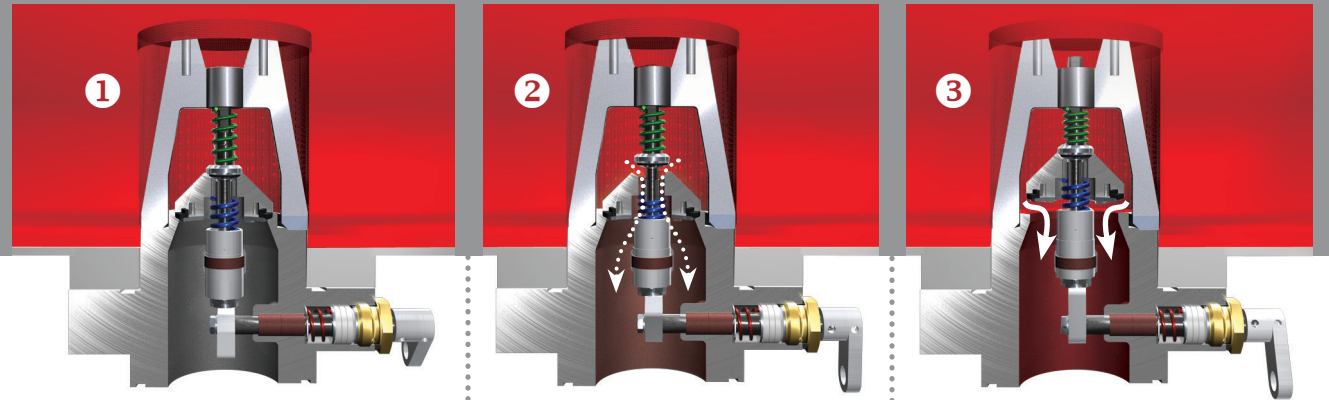
Fisher™ Jet Bleed Internal™ Valves target speed of opening issues commonly encountered in the operation of internal valves. Enlarged bleed ports provide faster equalization of tank pressure and downstream line pressure, giving a faster response time for quick valve opening.

- Allows operators to be more efficient
- Reduces potential for damage caused by running pumps dry
- Improved service features for easy maintenance

INCREASED BLEED AREA



OPERATION



Valve is held closed permitting a tight seal by both tank pressure and the valve's closing spring.

As the actuator moves the operating lever to mid-stroke, rapid equalization occurs through the enlarged bleed ports.

Tank and downstream volume pressures equalize quickly with the Jet Bleed Internal™ Valve trim and the main poppet opens.

DURABILITY

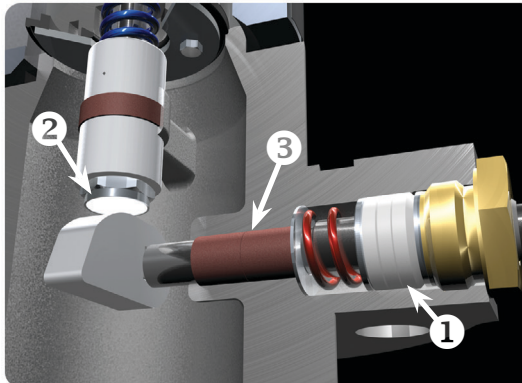


Redesigned stem provides a smooth interface with the poppet delivering exceptional wear performance and extended valve life.

FIELD PROVEN FEATURES

Type C Series Internal Valves have long been known for reliability, the Fisher Jet Bleed Internal™ Valves carry that tradition forward.

- Spring loaded PTFE stub shaft packing⁽¹⁾
- Removable cam and gland housings
- PTFE wear pads at critical points⁽²⁾
- Rulon® bushings⁽³⁾
- Repairable seats



SERVICEABILITY

Features included on the Jet Bleed Internal Valve trim:

- Jet Bleed Internal Valve trim sets are interchangeable with current Fisher valve products*
- Simple Design – No filters to change or external equipment to maintain
- All stainless steel trim construction
- Stainless steel hex head bolts
- Wrench/Vise flats added to the main poppet

*Trim sets are not interchangeable with Type C404-24 (3 in.) valves. Rulon® is a mark owned by Saint-Gobain Performance Plastics Corporation.

