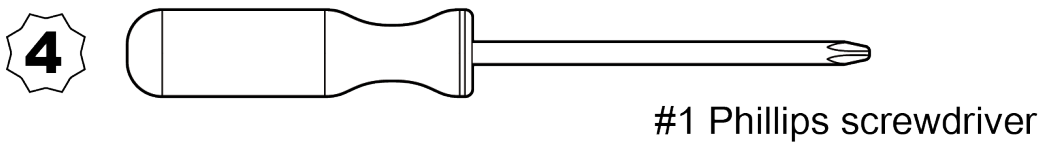
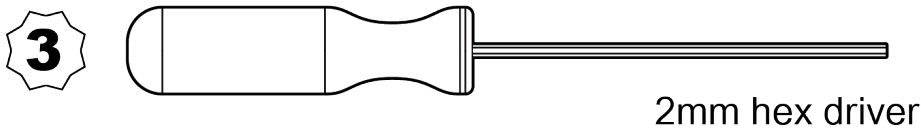
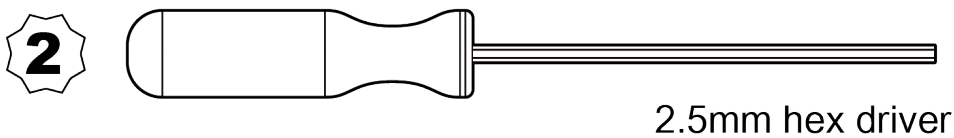
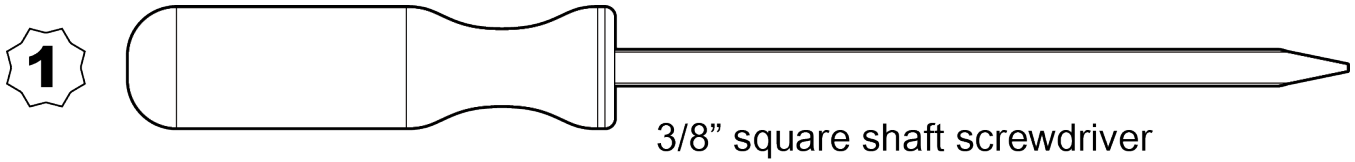
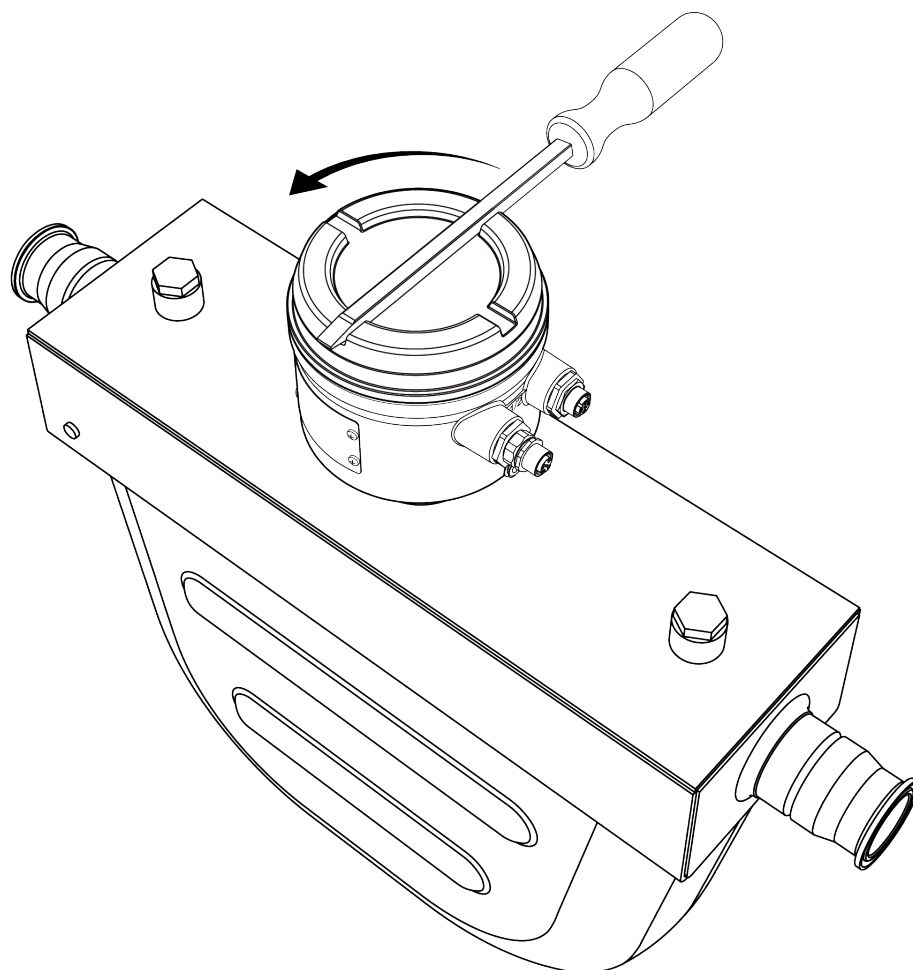
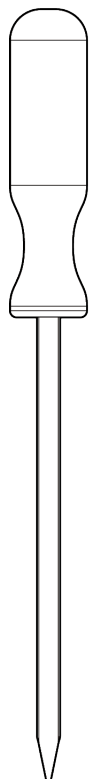


Replacing the Electronics Assembly Module for the 1600 Transmitter

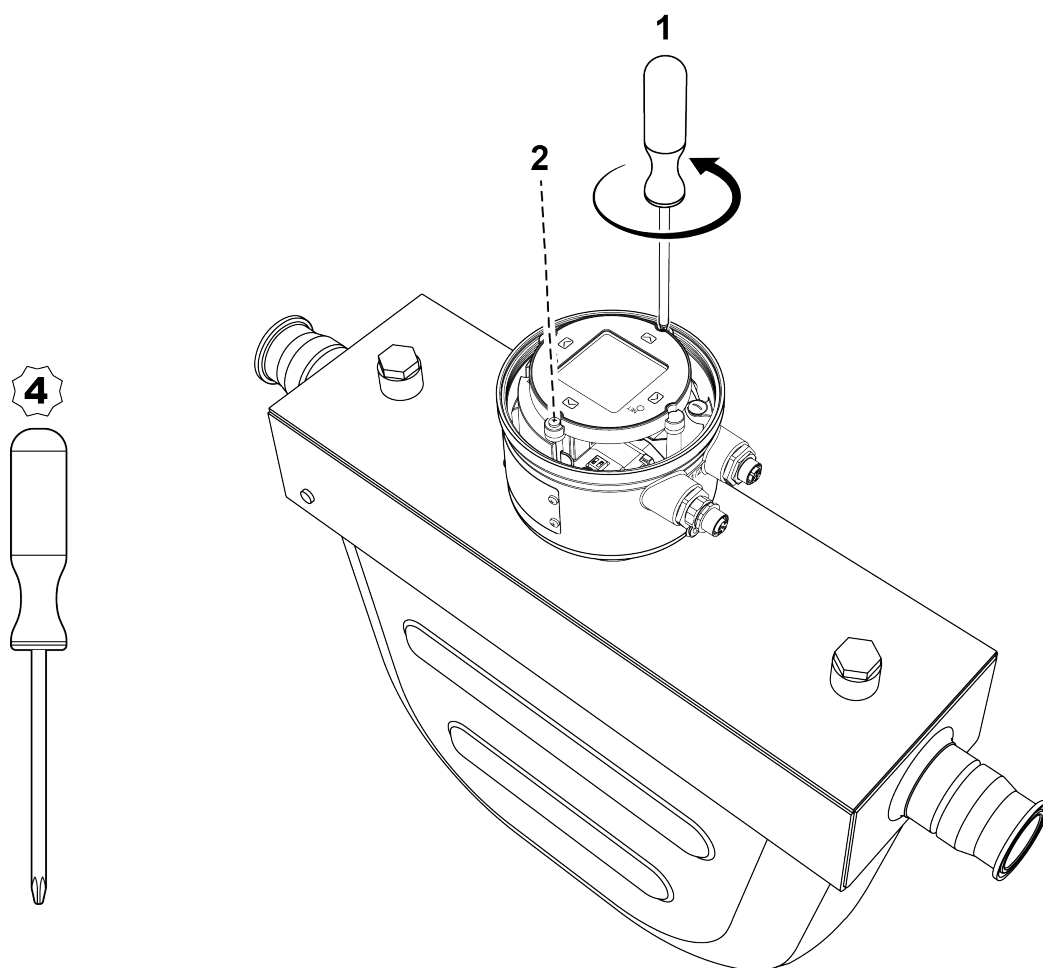


1.

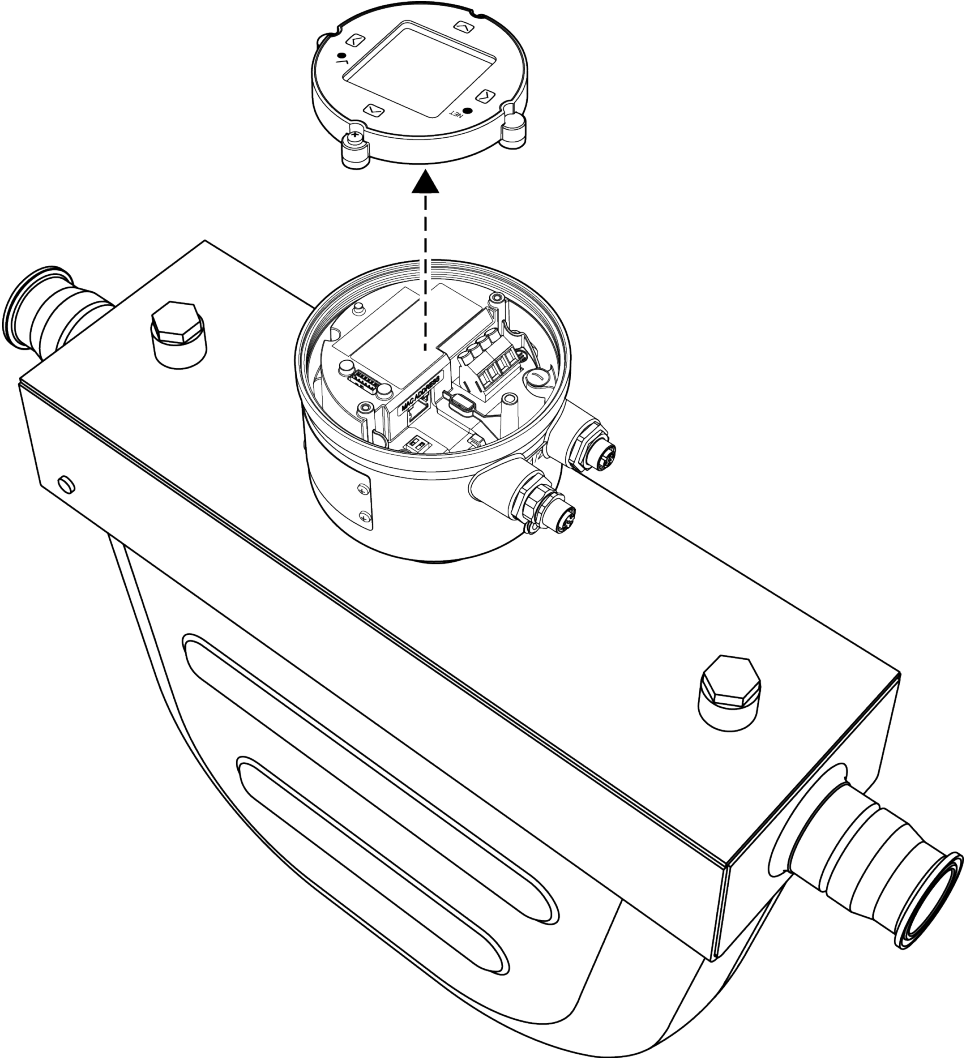
1



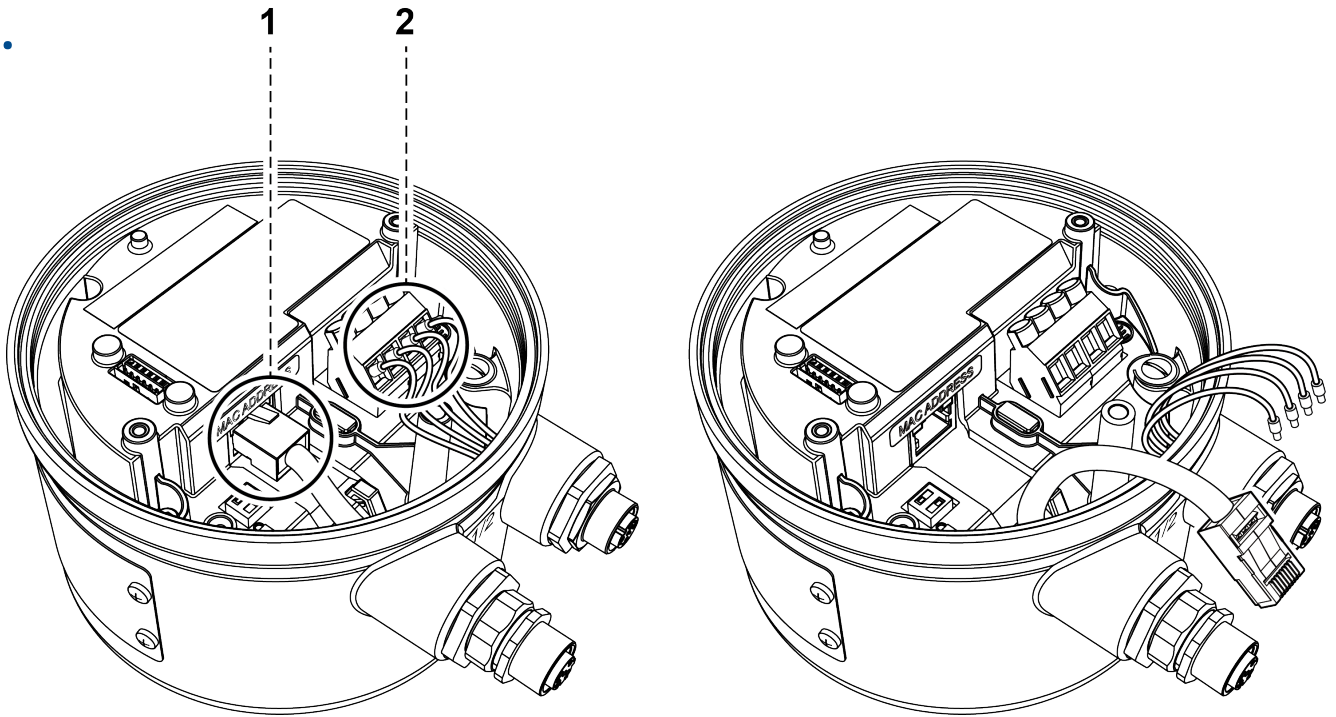
2.



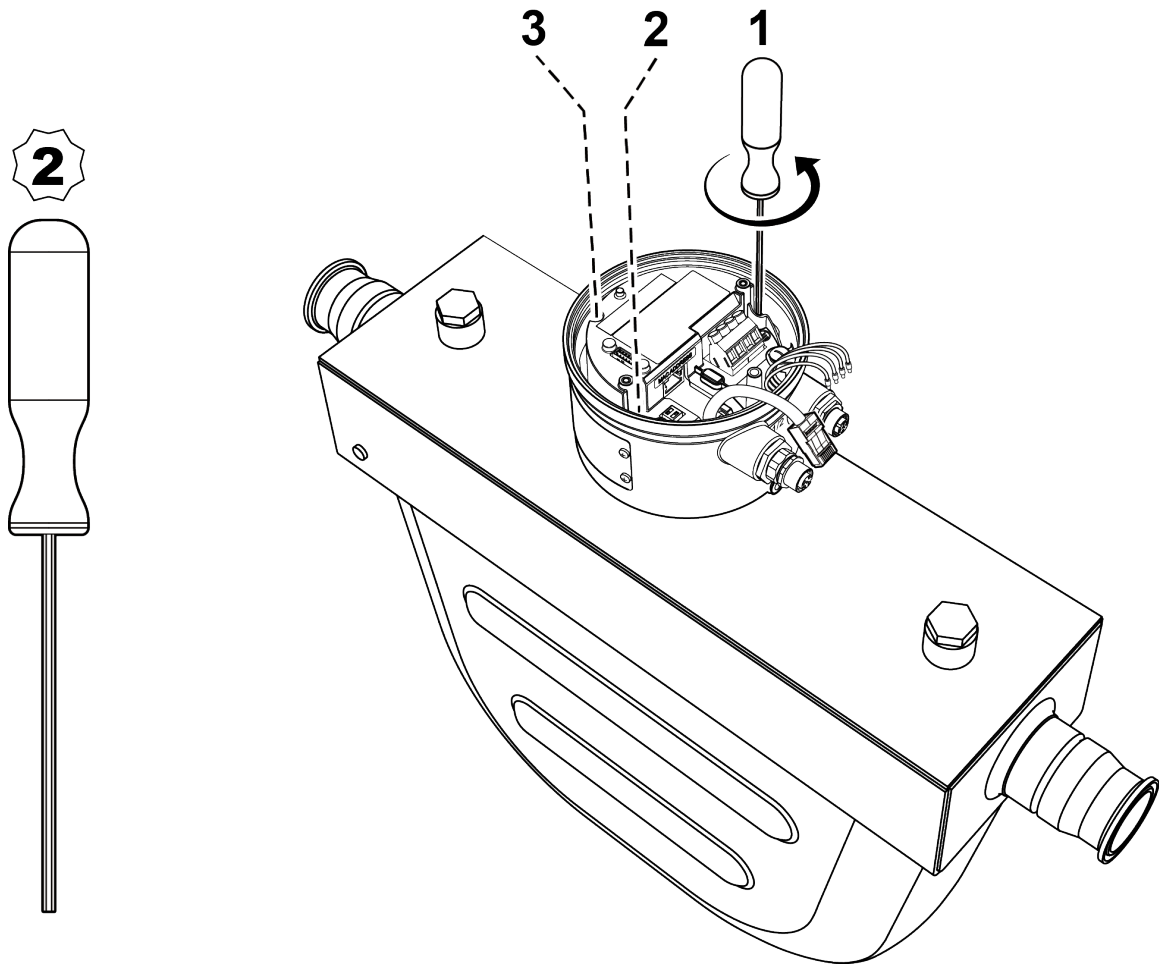
3.



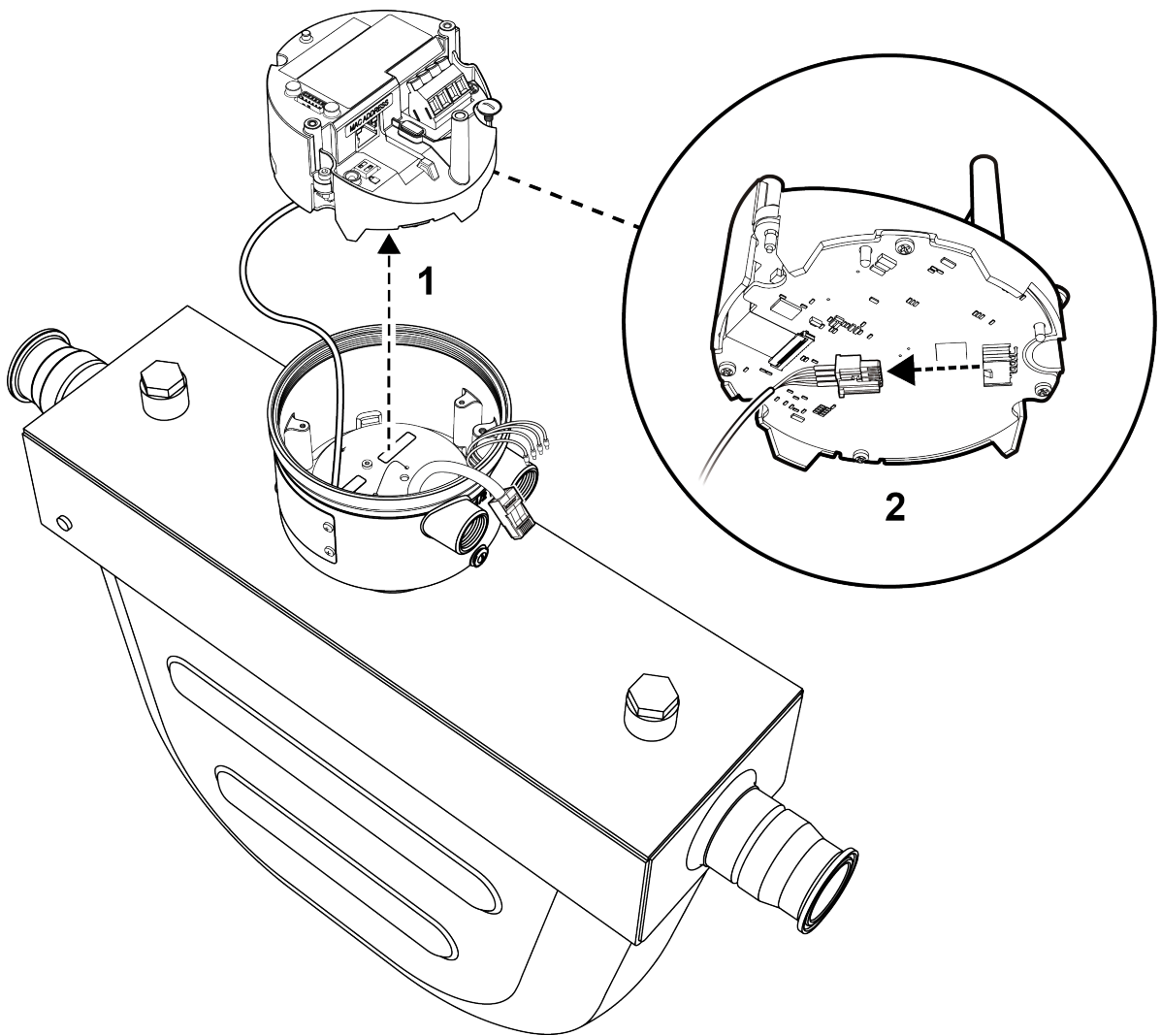
4.



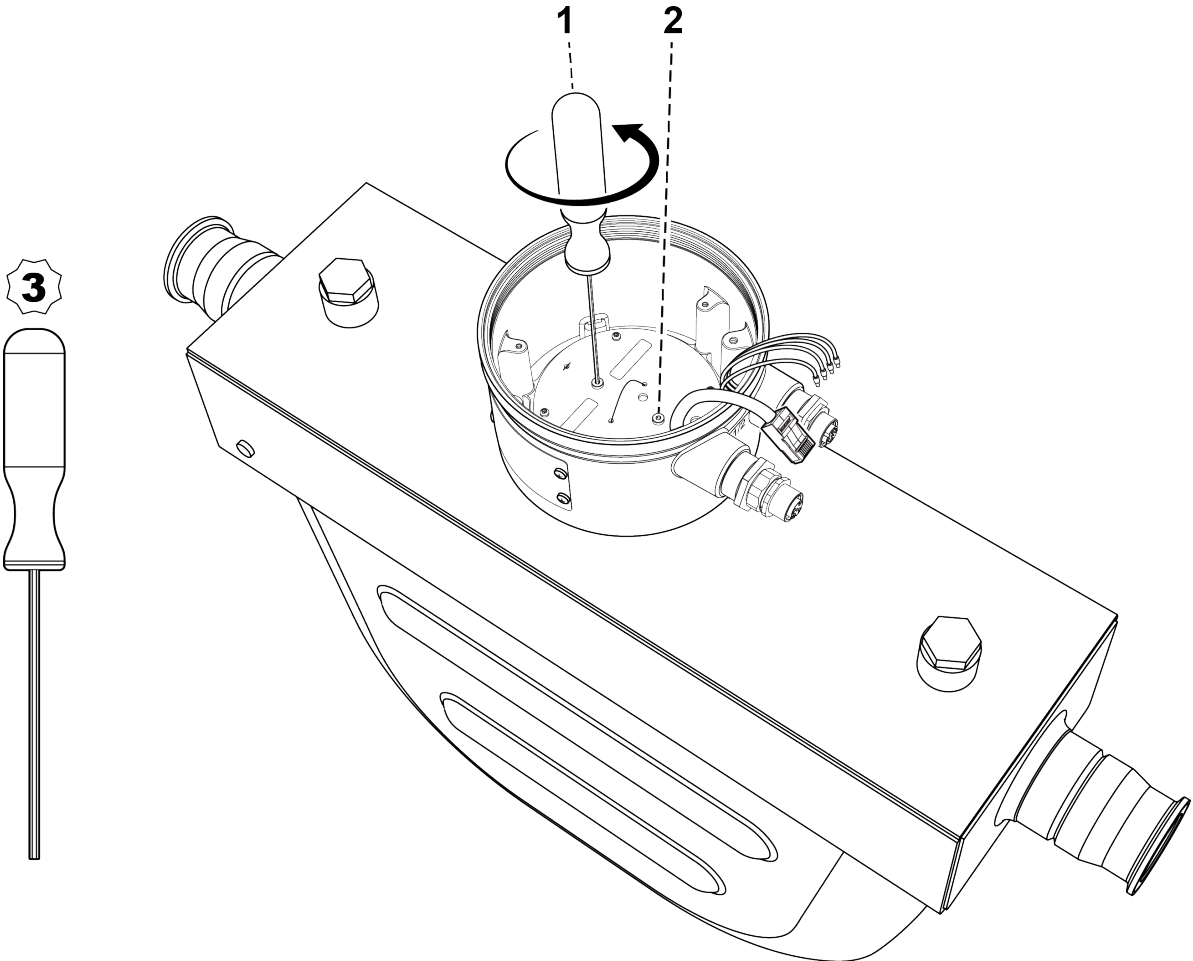
5.



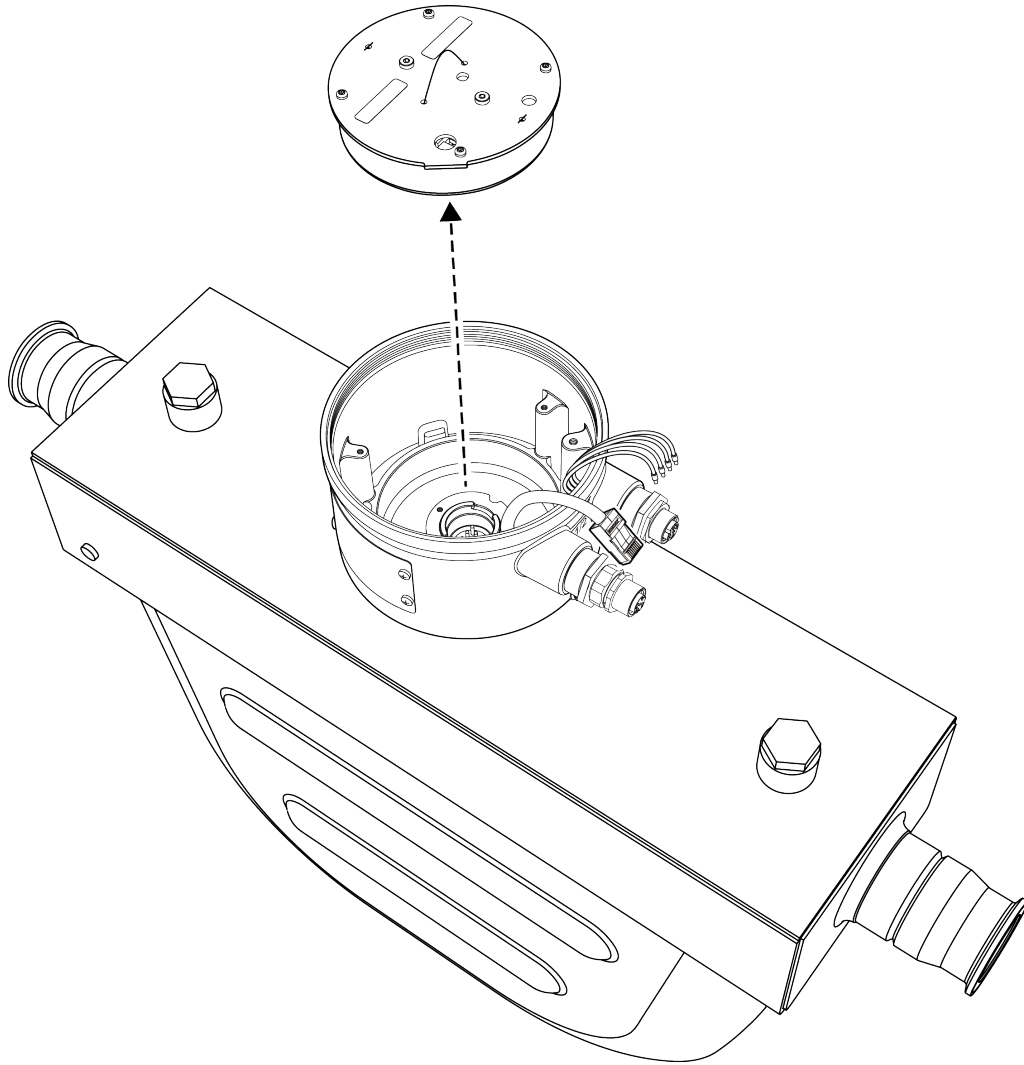
6.



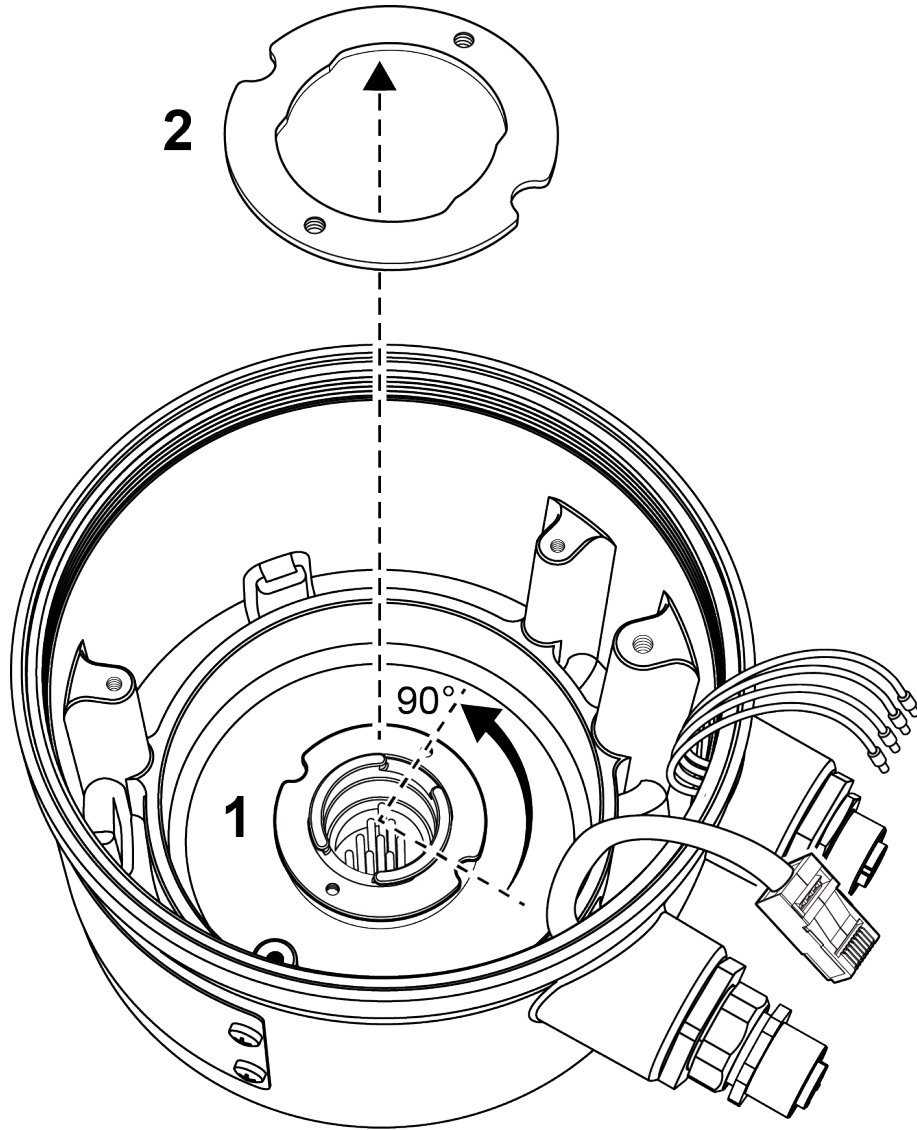
7.



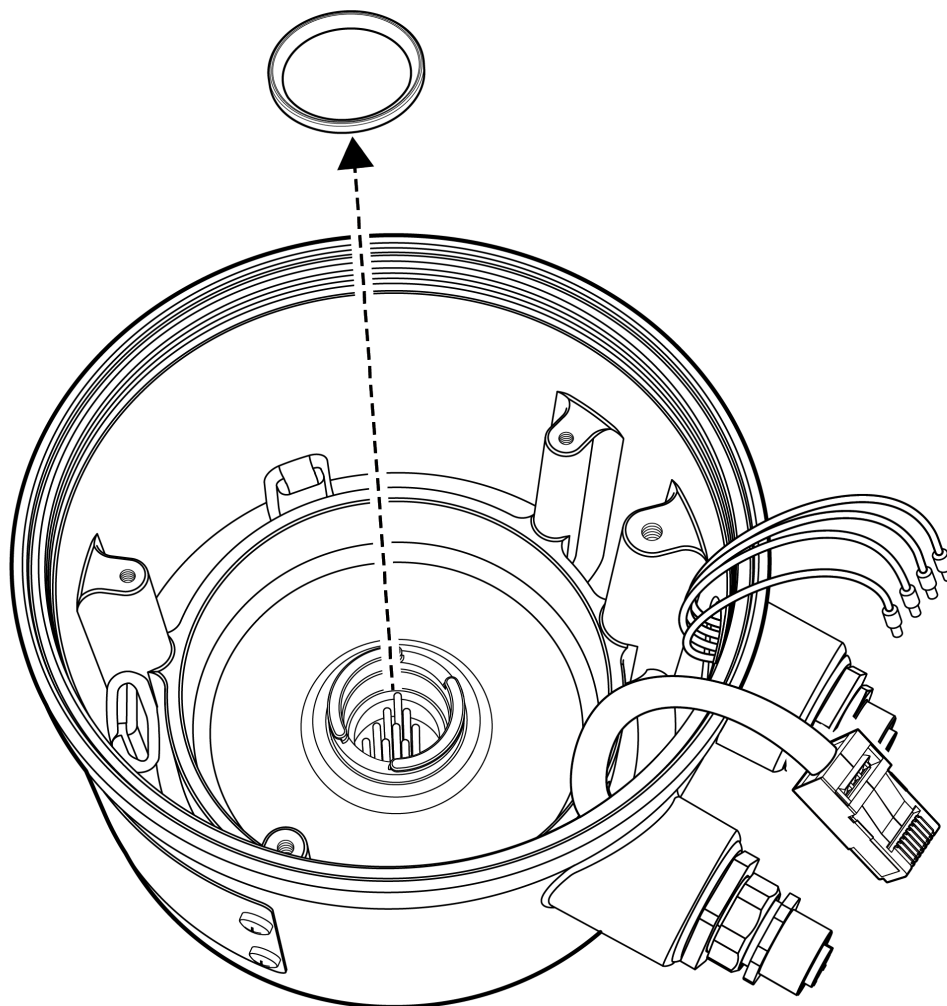
8.



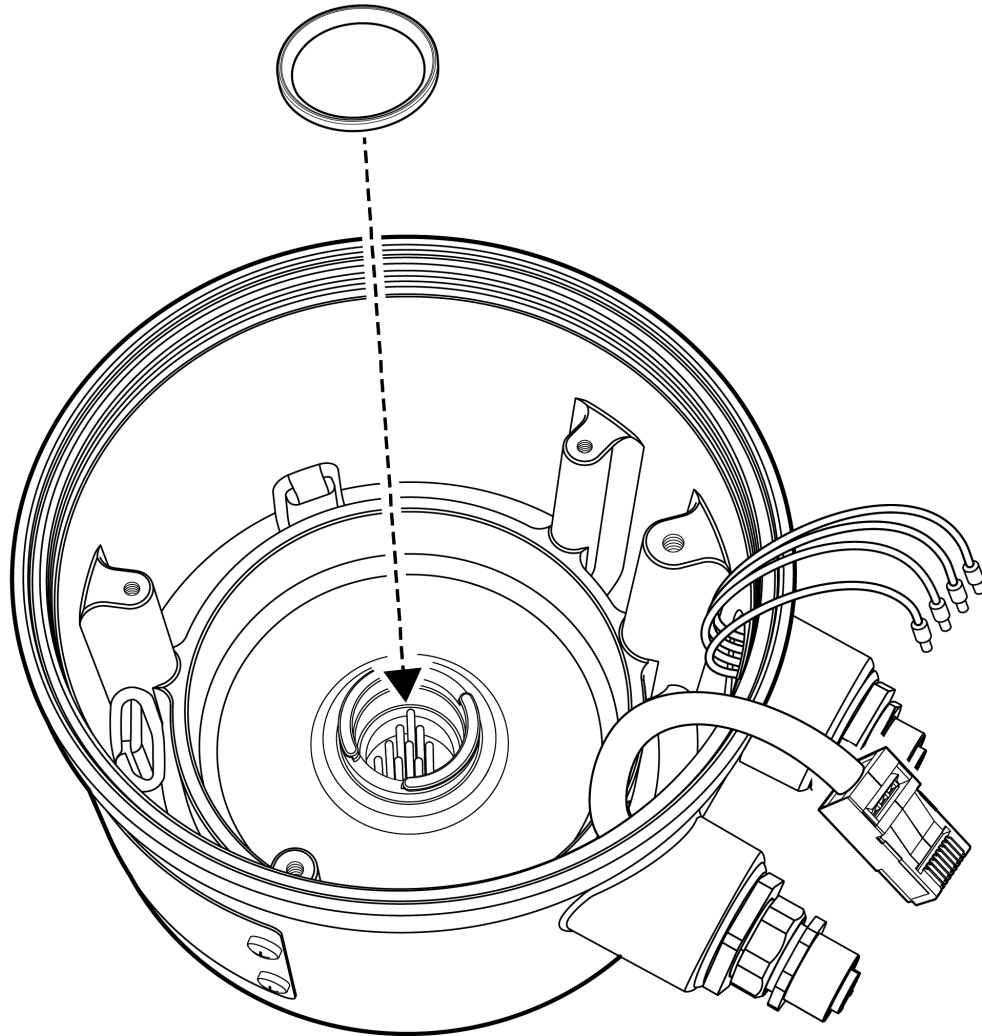
9.



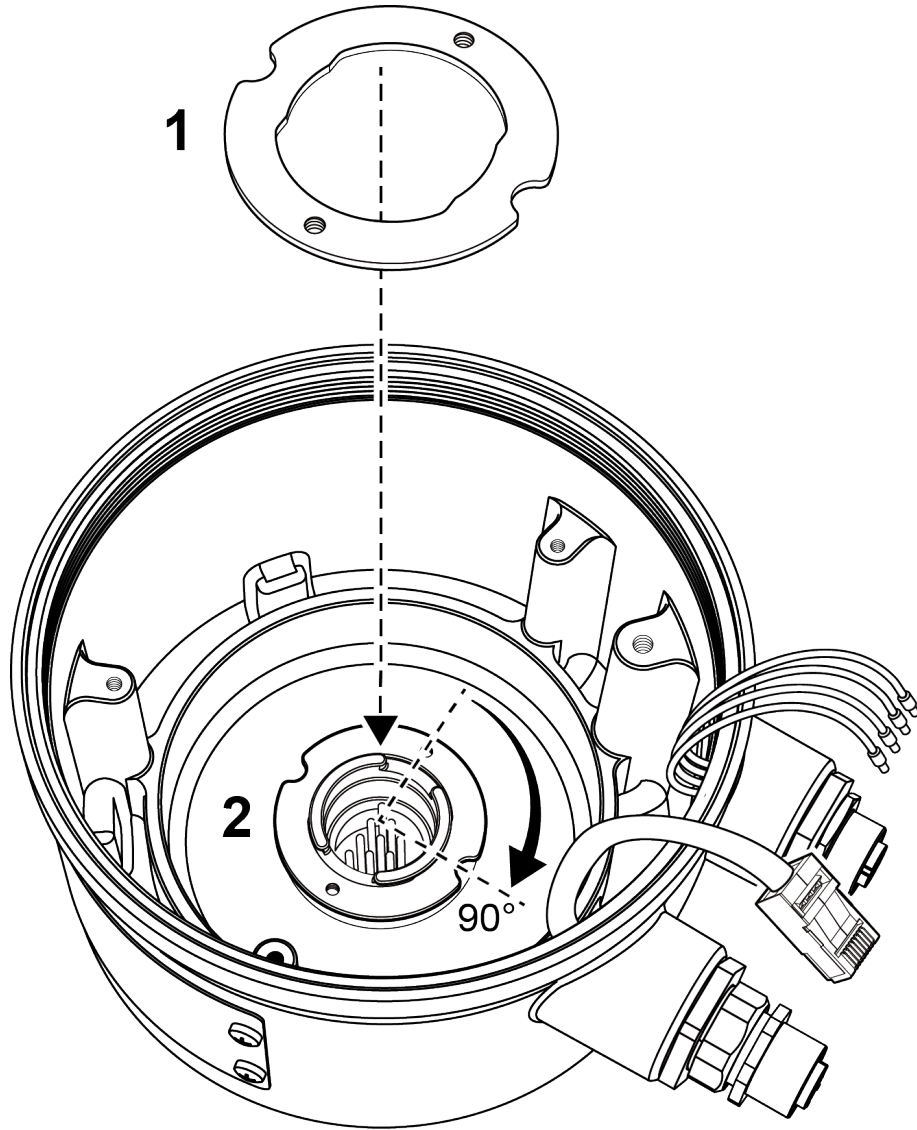
10.



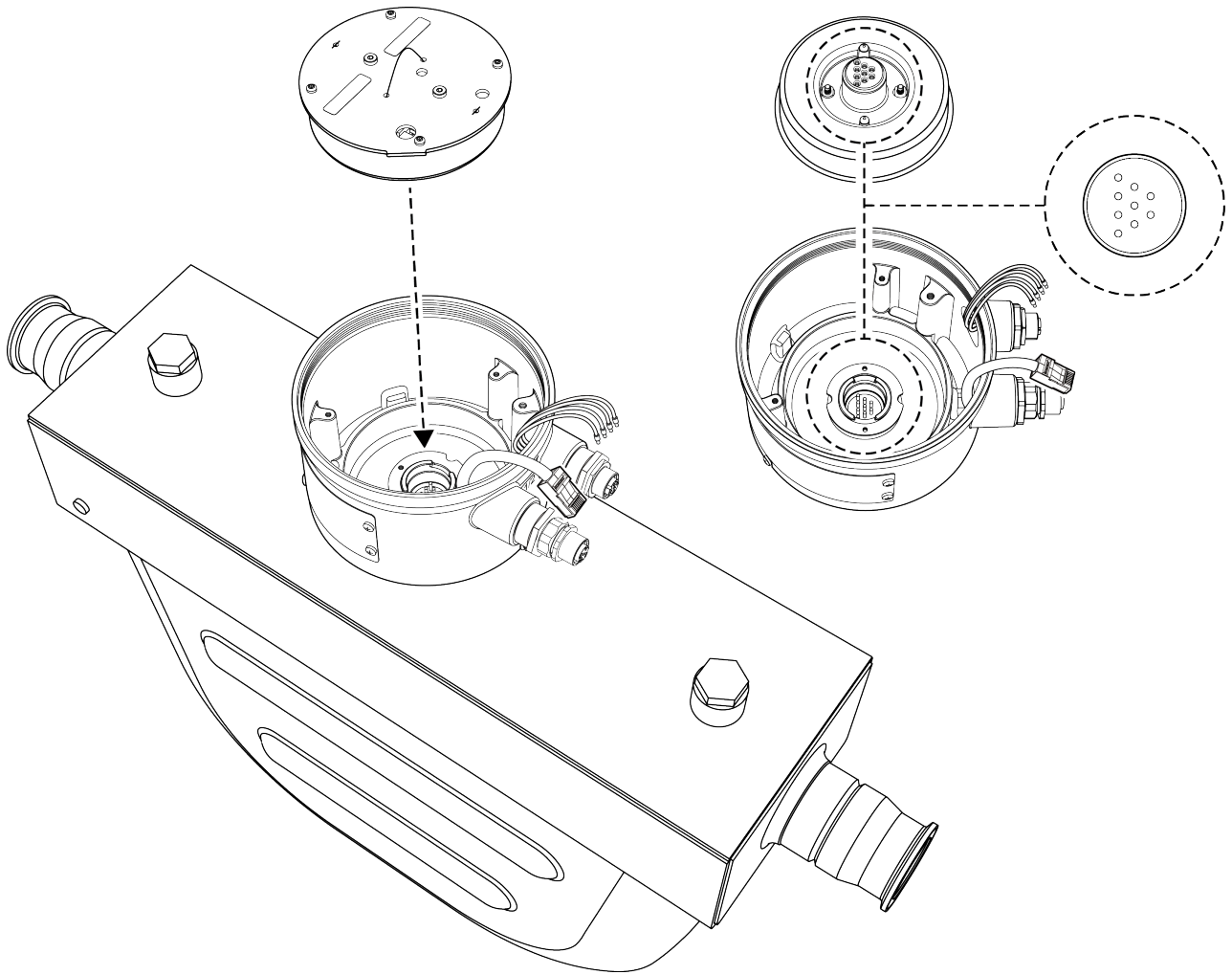
11.



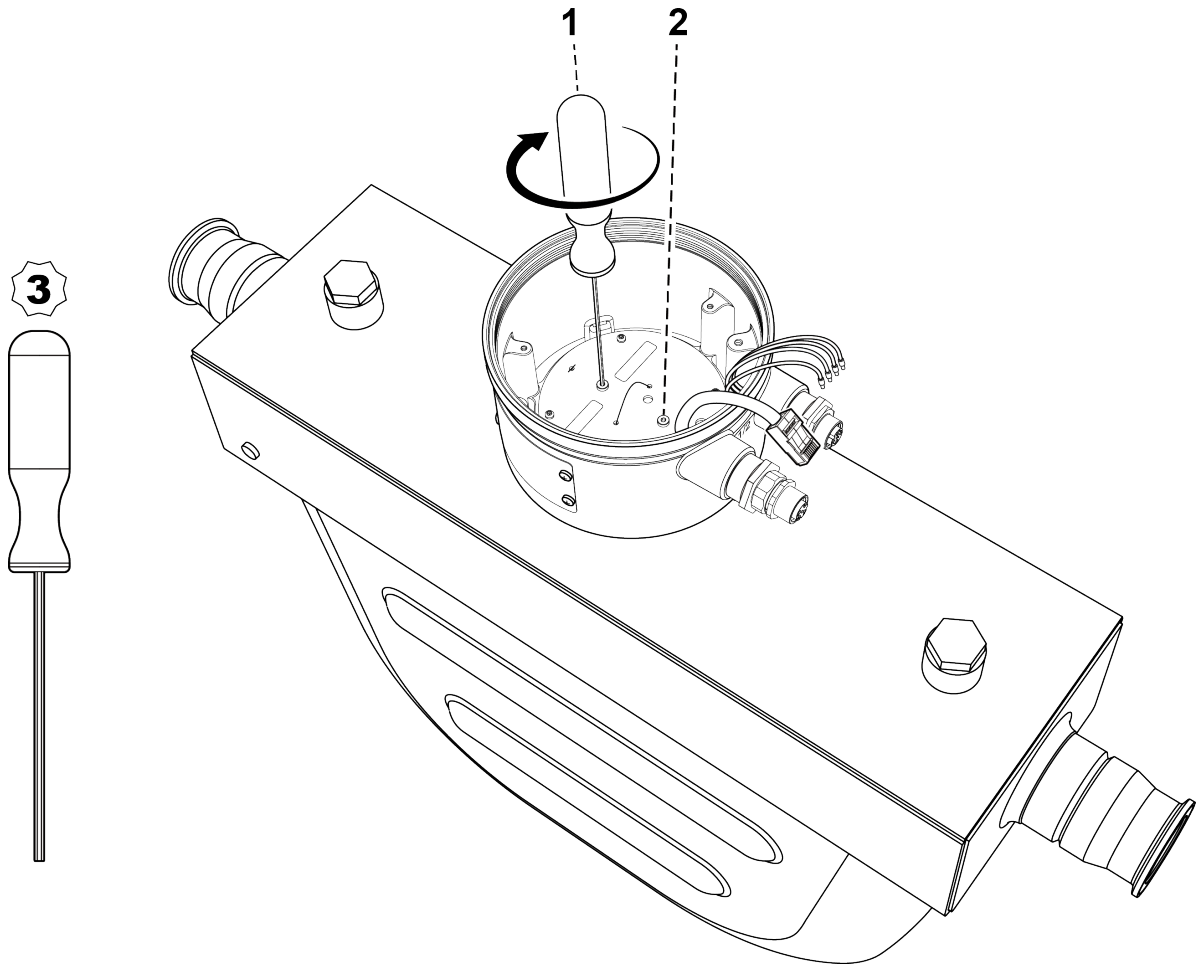
12.



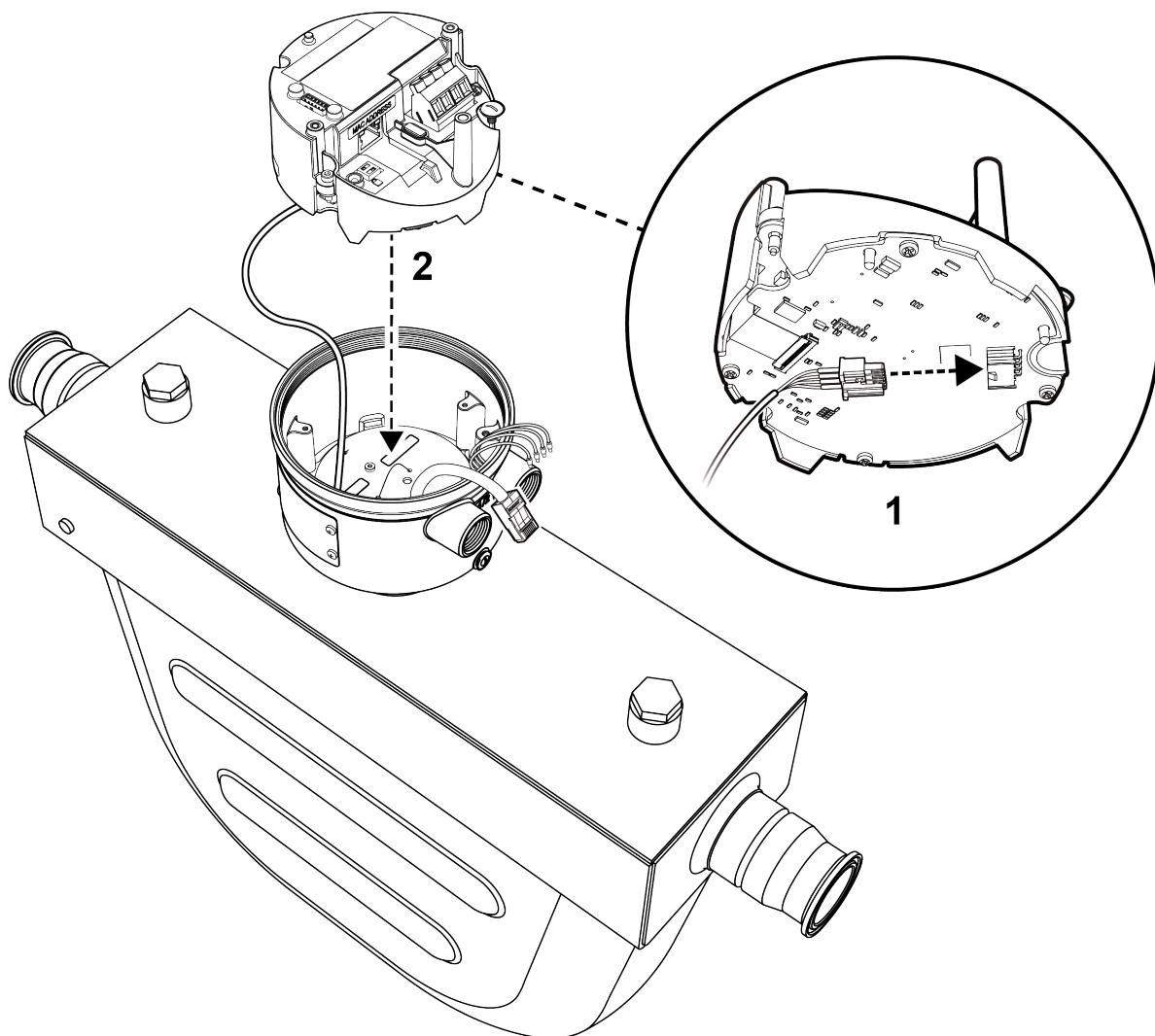
13.



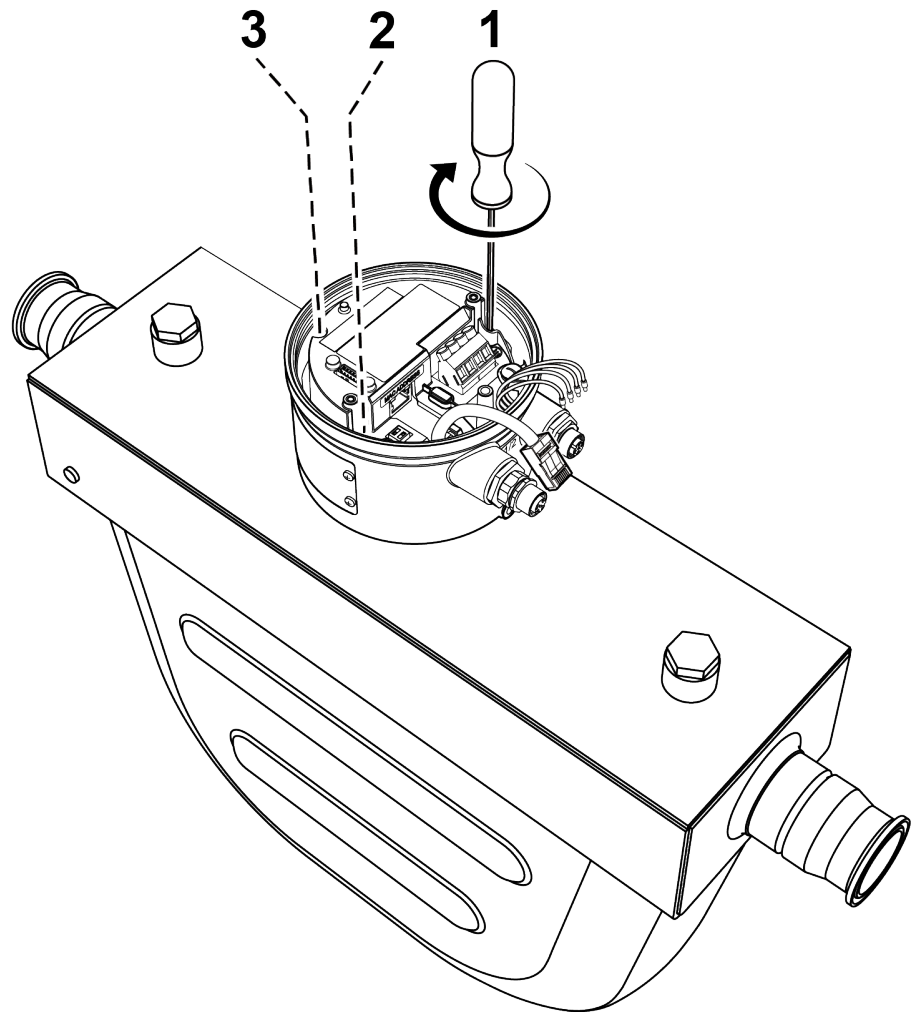
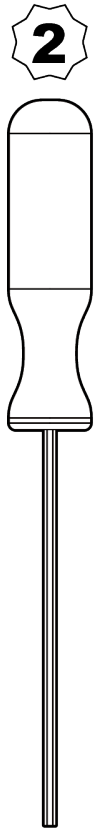
14.



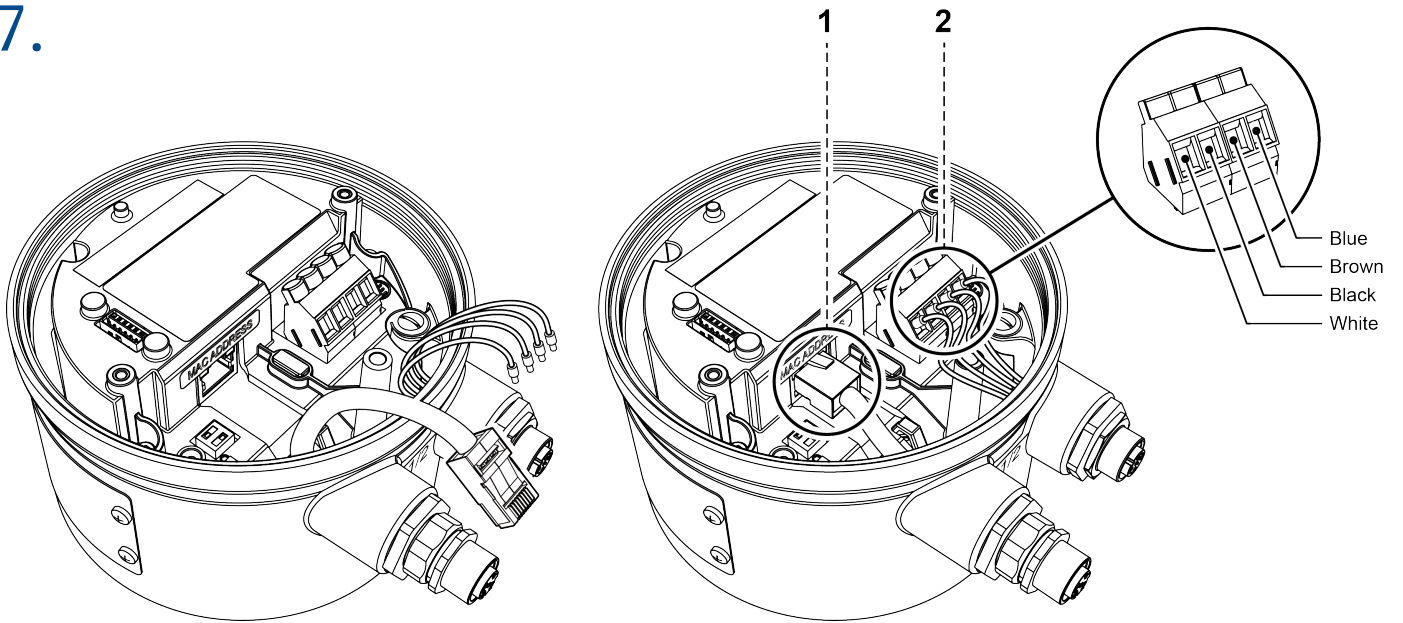
15.



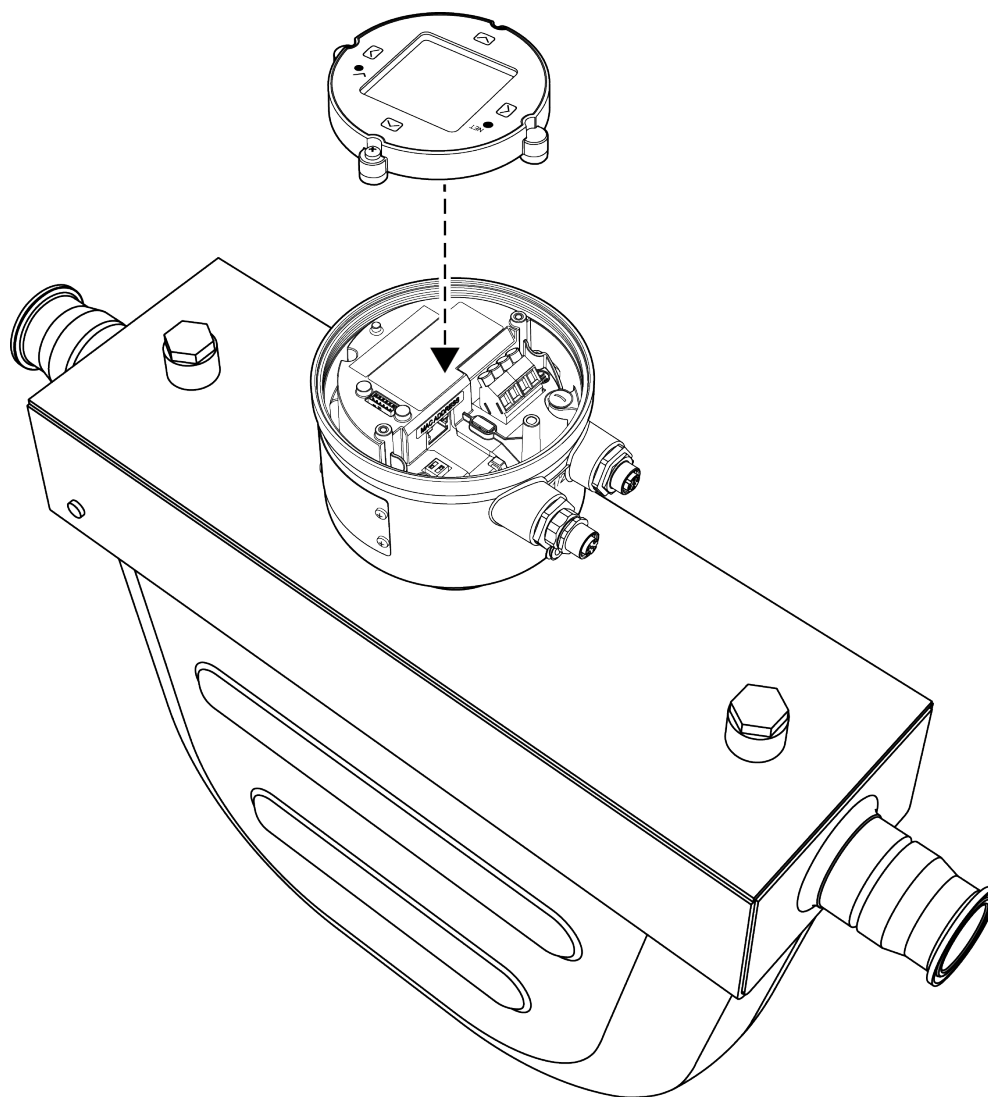
16.



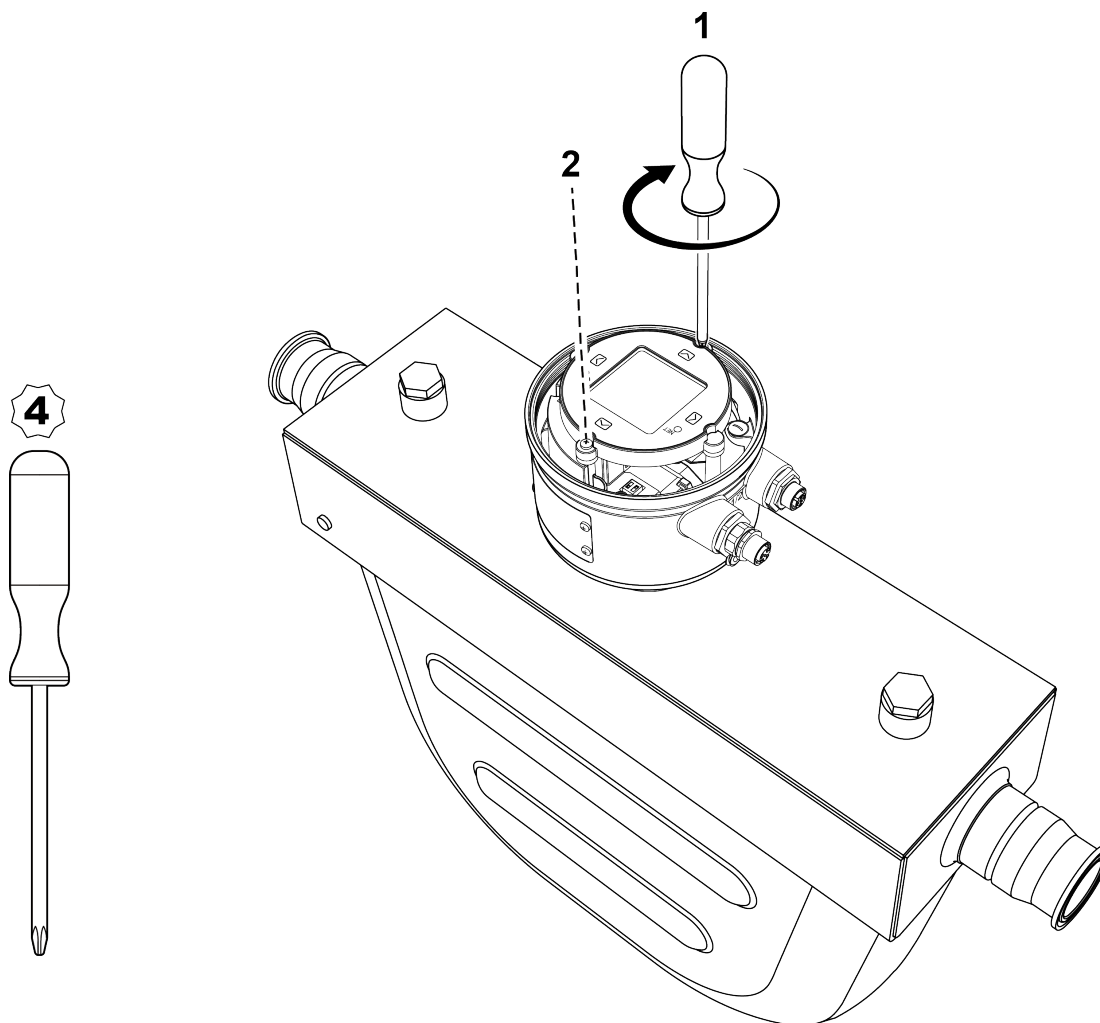
17.



18.

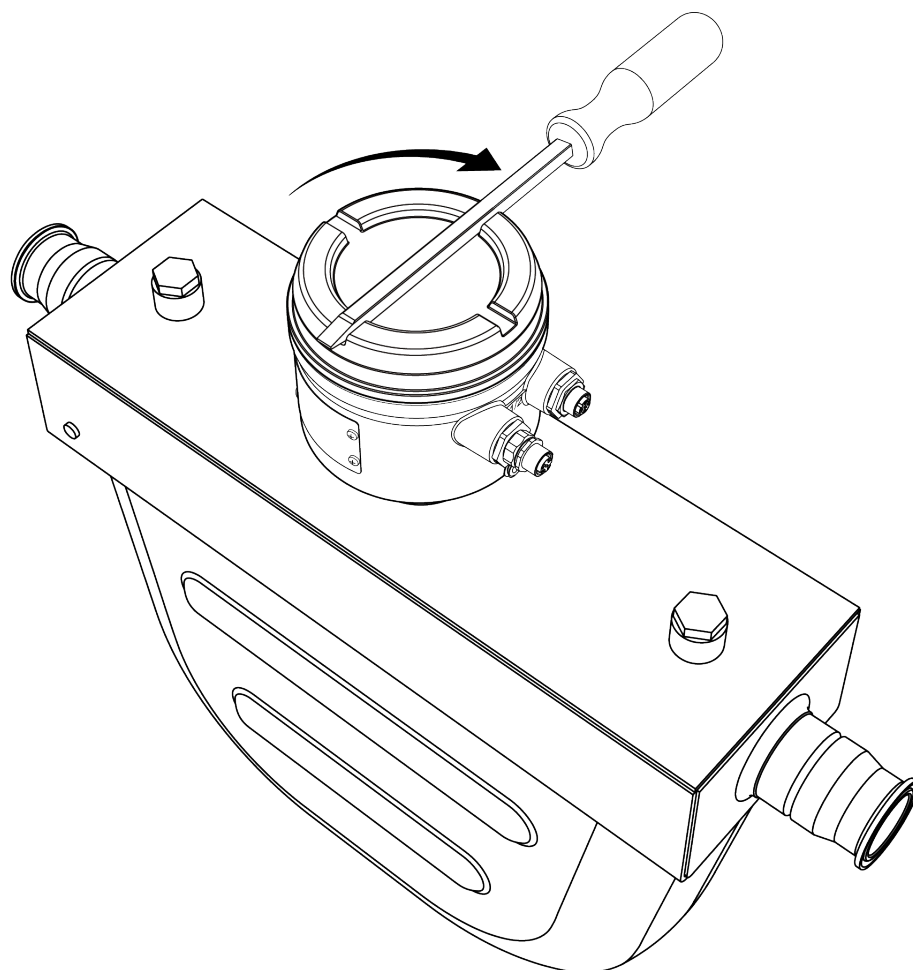
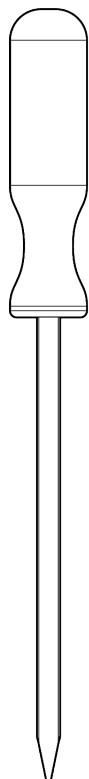


19.



20.

1





00825-0300-1600

Rev. AA

March 2022

For more information: www.emerson.com

©2022 Micro Motion, Inc. All rights reserved.

The Emerson logo is a trademark and service mark of Emerson Electric Co. Micro Motion, ELITE, ProLink, MVD and MVD Direct Connect marks are marks of one of the Emerson Automation Solutions family of companies. All other marks are property of their respective owners.

MICRO MOTION™

