



Rosemount IO-Link Digital Communication

Quick and effortless installation of sensors into your plant

IO-Link is a powerful communication protocol based on the IEC 61131-9 standard that utilizes the established 3-wire sensor and actuator connection technology. It provides an open and manufacturer-independent method of communication that connects with any control level network, regardless of the protocol used.

Through this, basic devices also become digitally accessible by allowing three types of data to be exchanged: Process data, service data, and events.

Data Storage

Device parameter sets connected to an IO-Link master are automatically downloaded and reconfigured to a replacement device, saving both time and the risk of human error.

Visibility Through Data

Through the IO-Link master sensors become digital and communicate to the PLC, providing information on replacement needs, maintenance, or any device error, resulting in reduced downtime and optimized processes.

Cost Savings

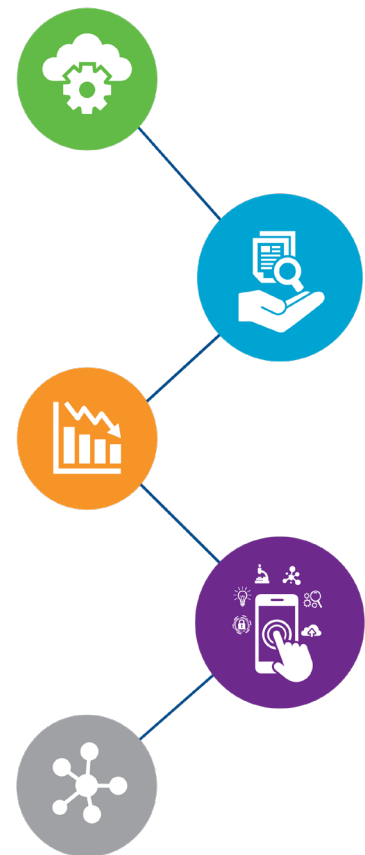
IO-Link provides digital benefits by utilizing standard unshielded cables and connectors, and reducing wiring needs, with the added benefit of simplified installation and stock keeping.

Remote Configuration and Monitoring

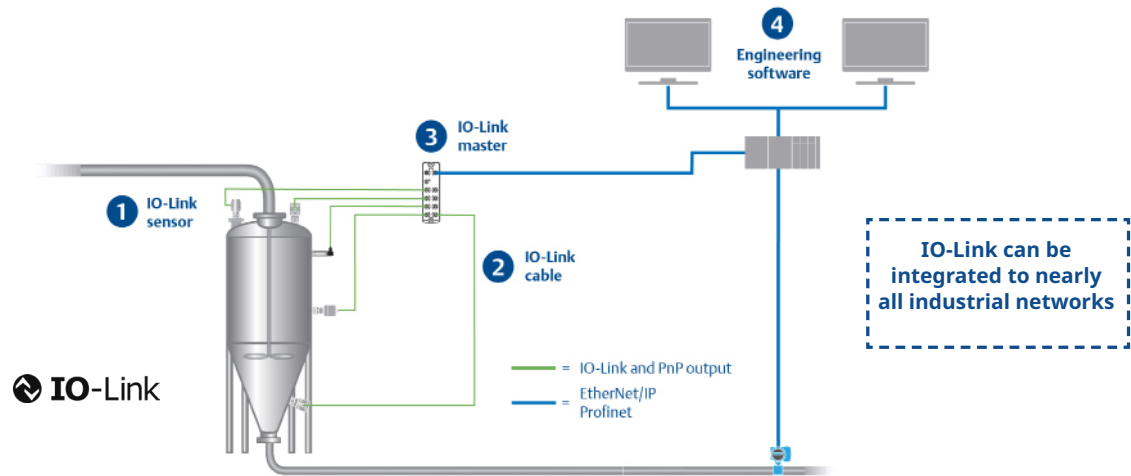
Parameters and outputs/alerts can be monitored or adjusted remotely in real time to help quickly identify and resolve problems. Diagnostic alerts allow for preventative maintenance.

Works Everywhere

IO-Link is a vendor-independent technology with universal connectivity. This allows the use of IO-Link devices in most common network environments - regardless of protocol.



ROSEMOUNT IO-LINK SYSTEM



IO-Link system illustration highlighting the basic components detailed below

System Components

IO-Link Sensor	IO-Link Cable	IO-Link Master	Engineering Software
<p>Sensor provides measurements and transmits data to the IO-Link master</p>	<p>Standard unshielded 3- or 5-conductor cable with a maximum length of 66 ft (20 m) for IO-Link communication</p>	<p>IO-Link master establishes the connection between the IO-Link sensor and takes the sensor data up to the control level network</p>	<p>Parameter setting for device settings and graphic representation of process values</p>
<ul style="list-style-type: none"> Rosemount™ 1408 Non-Contacting Radar Level Transmitter Rosemount 1208 Non-Contacting Level and Flow Transmitter 	<ul style="list-style-type: none"> Hygienic wireable terminal connector Hygienic cable Hygienic patch cable 	<ul style="list-style-type: none"> EtherNet/IP Interface 4 and 8 ports PROFINET® Interface 4 and 8 ports IO-Link USB communicator for point-to-point configuration 	<ul style="list-style-type: none"> Rosemount IO-Link Assistant (Part number FB-5401)

For more information, visit [Emerson.com](https://www.emerson.com)

The Emerson logo is a trademark and service mark of Emerson Electric Co. Brand logotype are registered trademarks of one of the Emerson family of companies. All other marks are the property of their respective owners. ©2024 Emerson Electric Co. All rights reserved.

00807-0200-7062 Rev BB