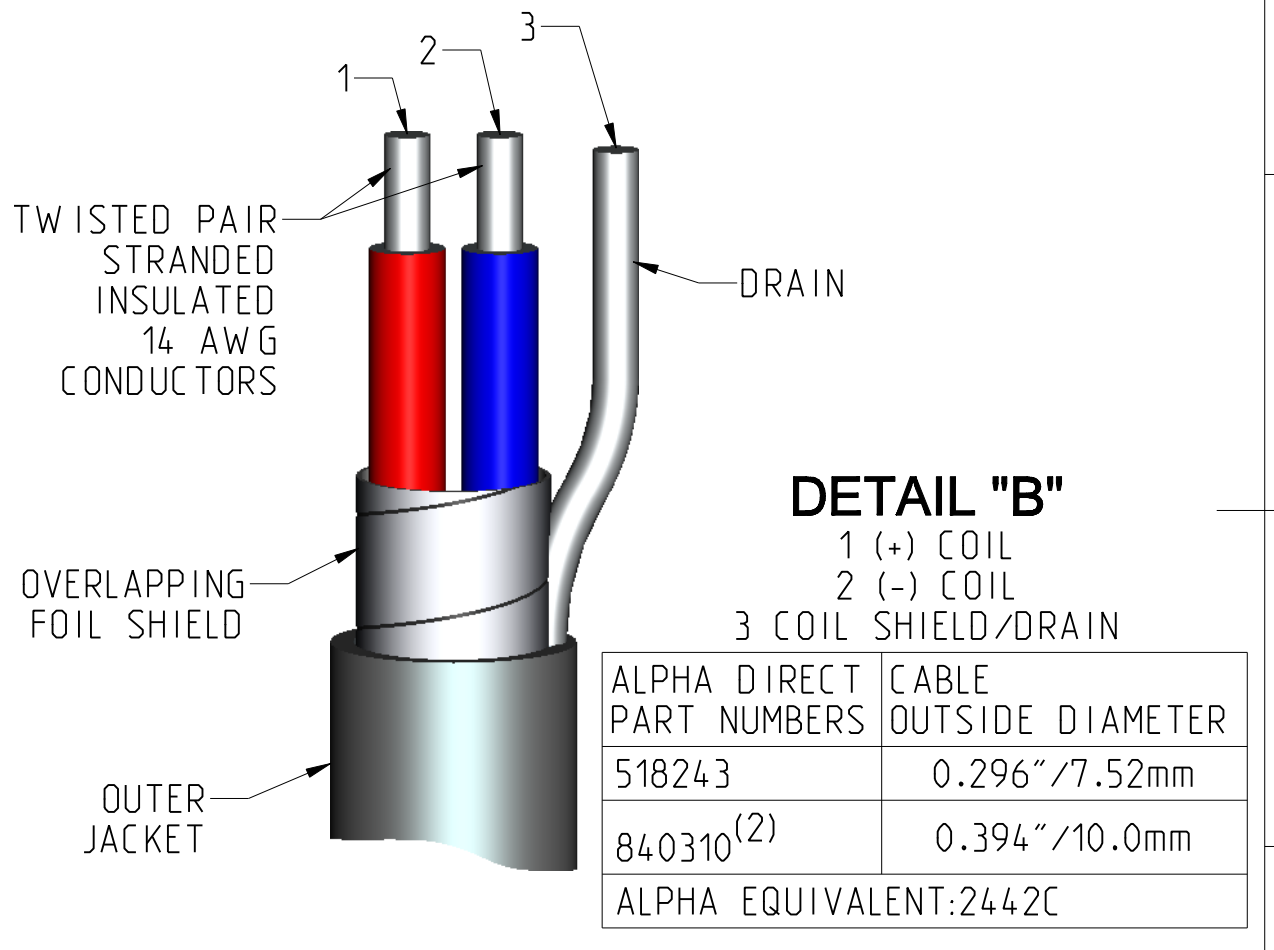
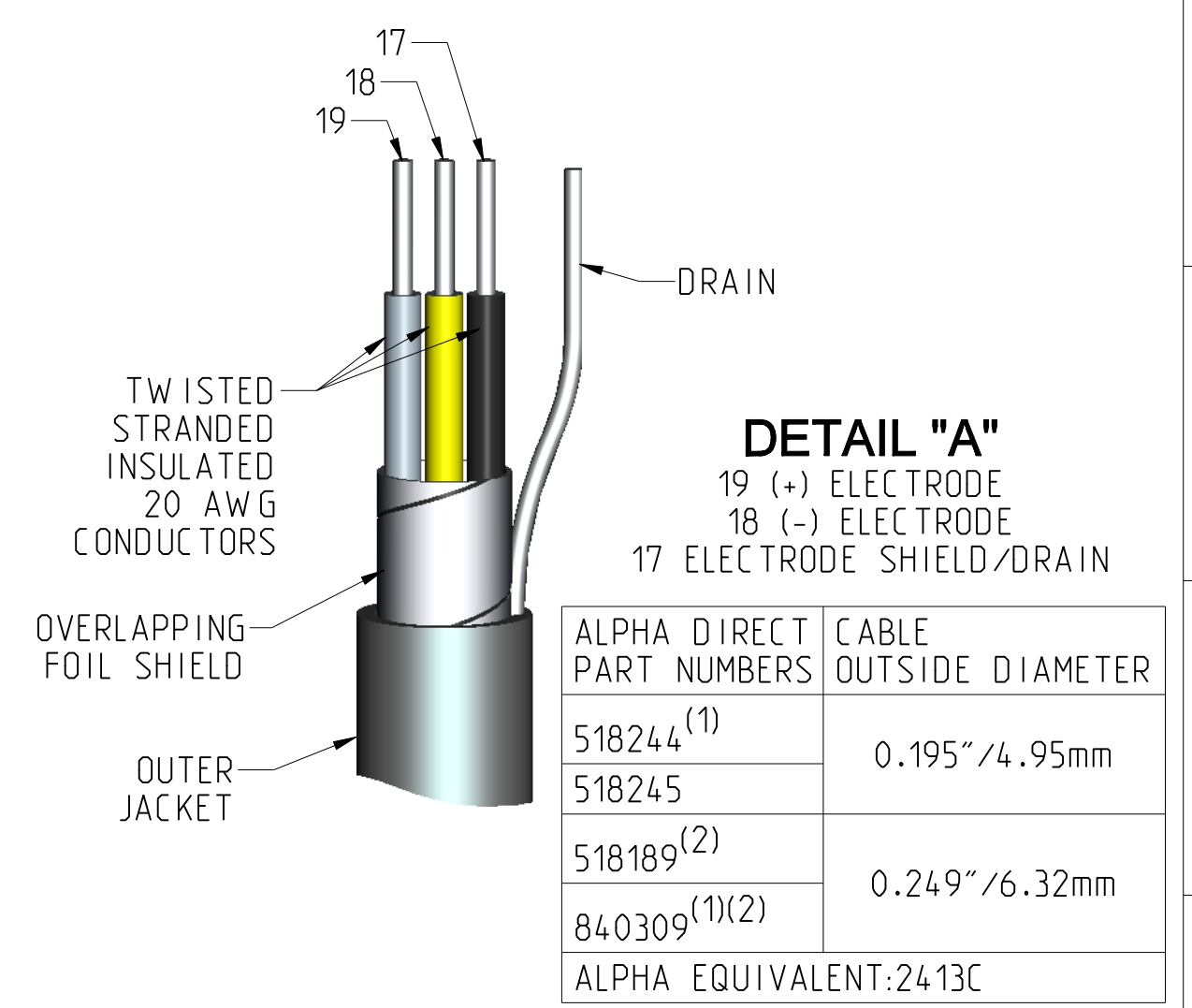
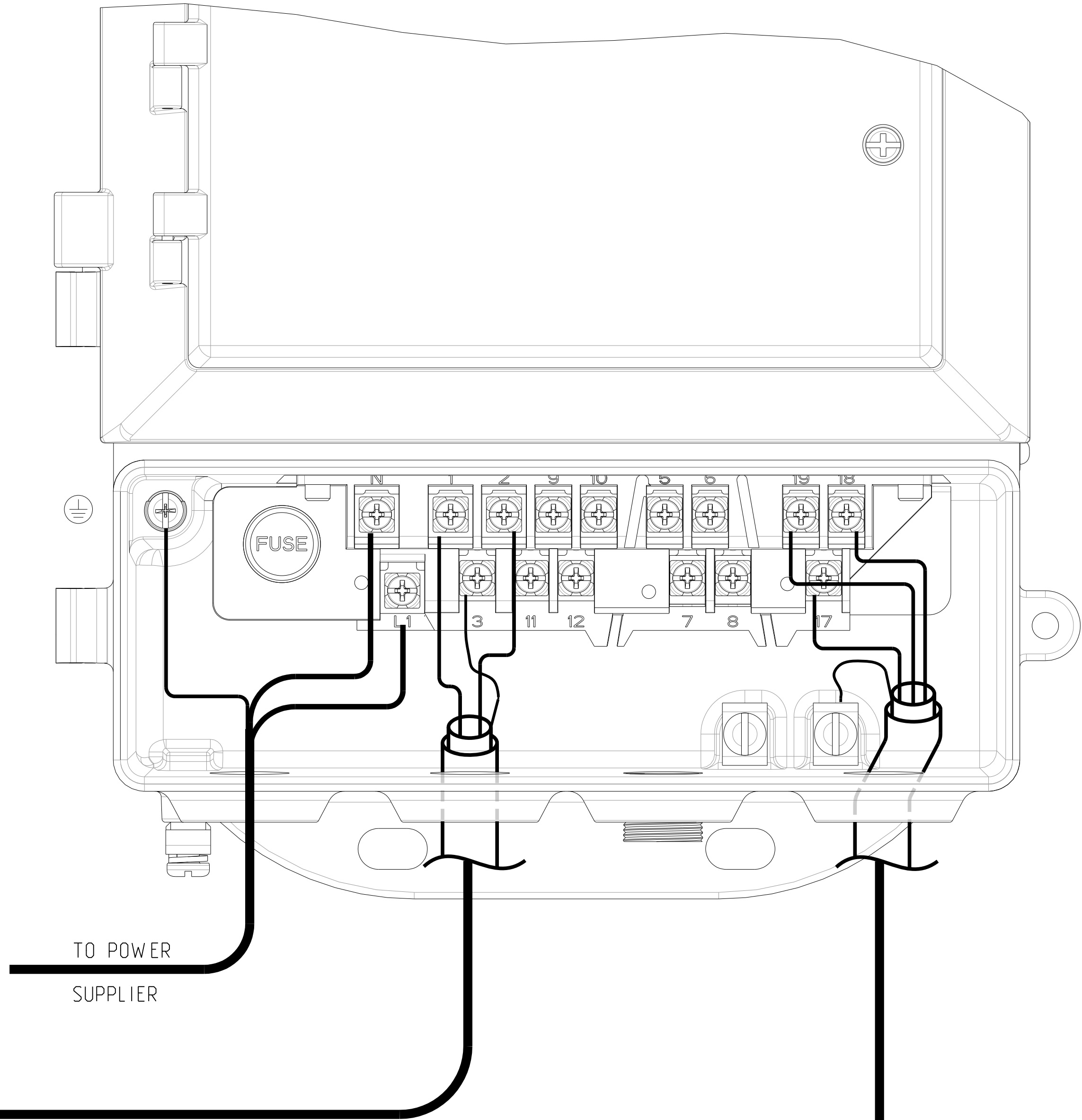
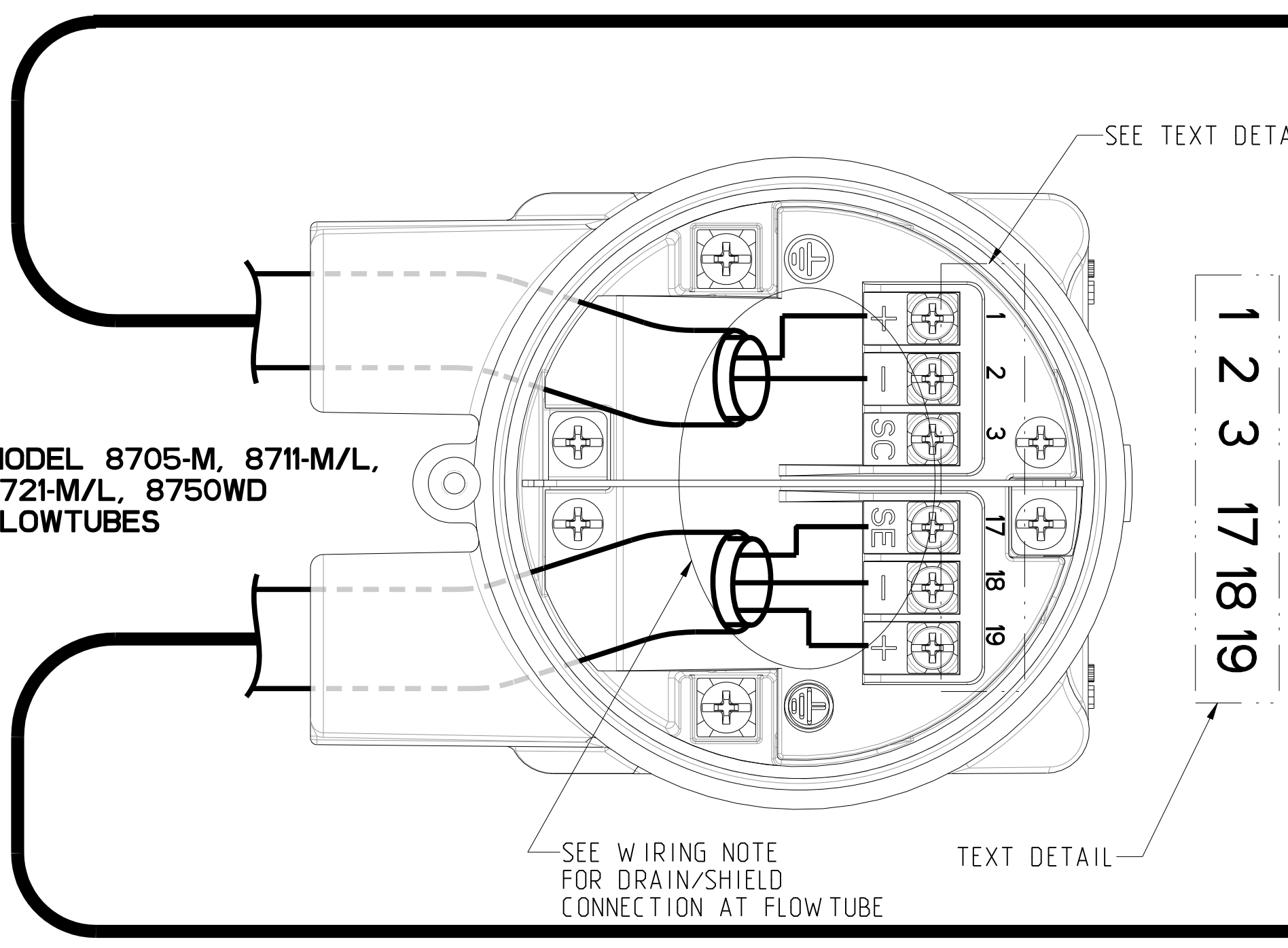
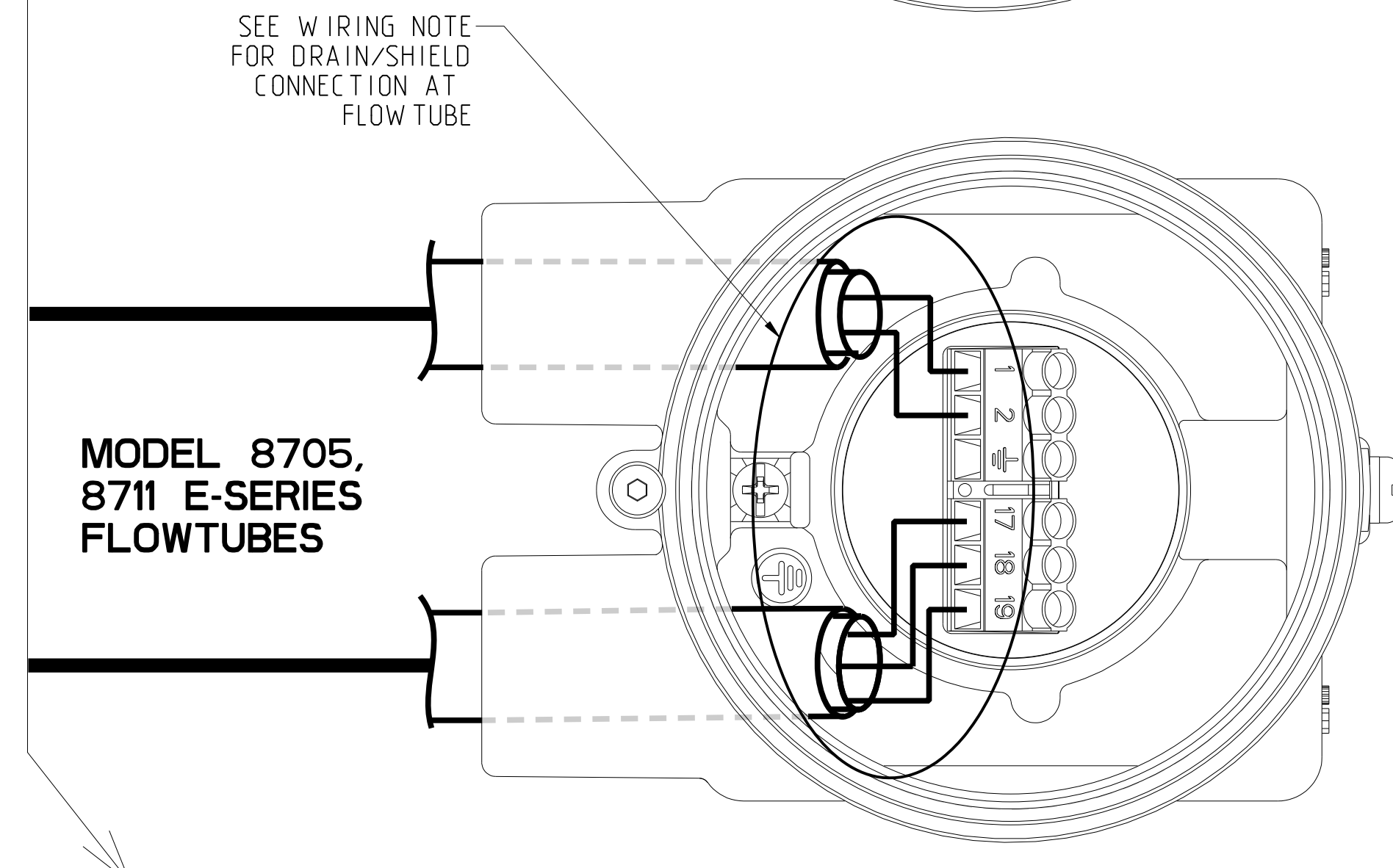
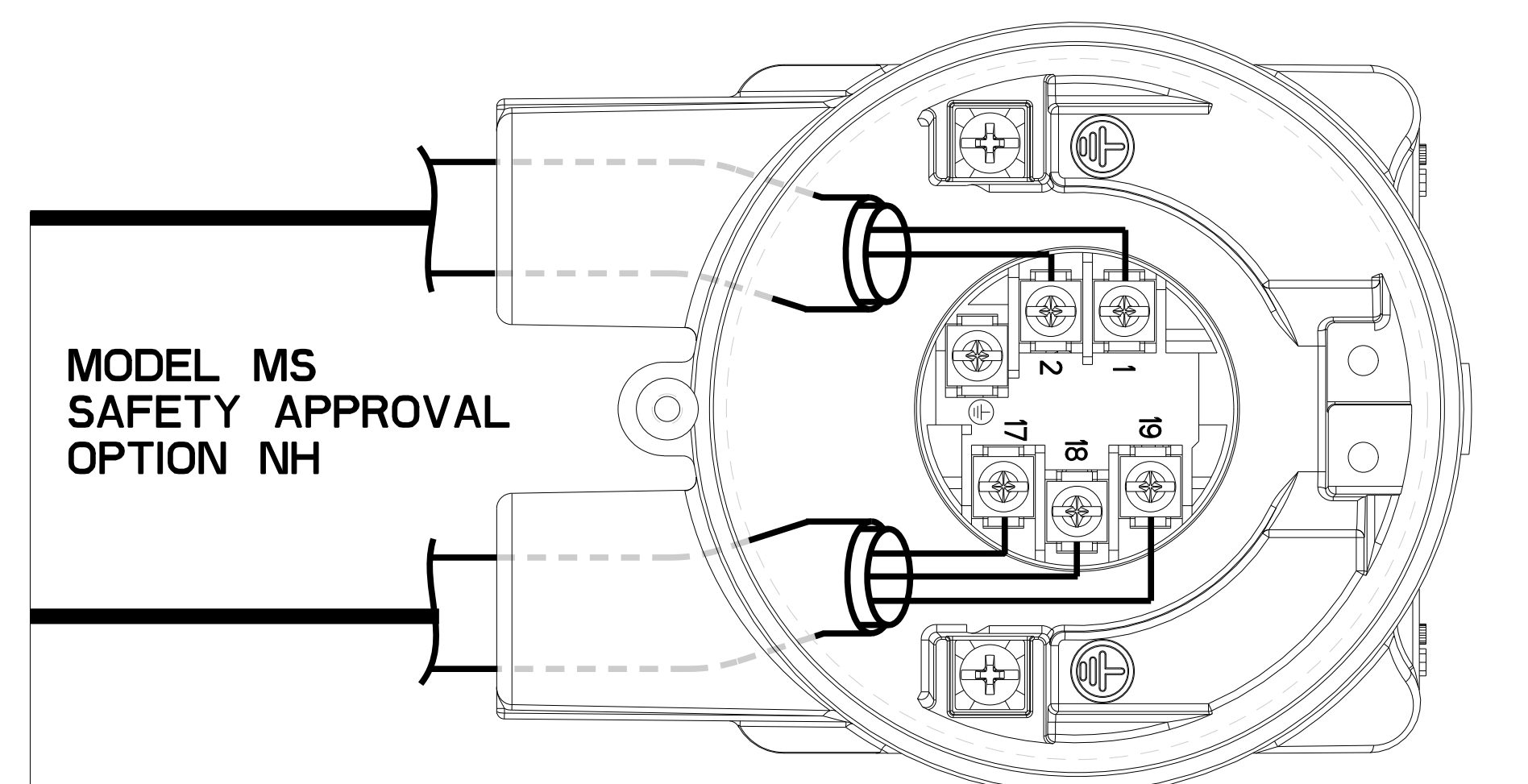


THIS SHEET FOR 8712EM OR 8750WDM TRANSMITTER WIRING USING COMPONENT CABLES

REVISION TABLE			
REVISION	ECO NO.	APP'D	DATE
AE	PENDING	SAW	6-06-2019
DESCRIPTION			
ADD MS SENSOR AND 8782 TRANSMITTER			



ROSEMOUNT CABLING KITS 08732-0065-XXXX	ALPHA PART NUMBERS 518244, ⁽¹⁾ 518245 518189 ⁽²⁾ , 840309 ⁽¹⁾⁽²⁾	ALPHA PART NUMBERS 518243, 840310 ⁽²⁾
19 WHITE	19 WHITE	
18 YELLOW	18 YELLOW	
17 BLACK	17 BLACK	
1 RED	-	1 RED
2 BLUE	-	2 BLUE
3 DRAIN (SHIELD)	-	3 DRAIN (SHIELD)

NOTES:
 STANDARD TEMPERATURE: RATED (-20°C TO 75°C)
 (1) INTRINSICALLY SAFE, LIGHT BLUE JACKET
 (2) EXTENDED TEMPERATURE (RATED -50°C TO 125°C)

8712EM WIRING DIAGRAM					
TERMINAL	DESCRIPTION		TERMINAL	DESCRIPTION	
N / L2	- DC. AC	△	7	SEE OUTPUT DETAIL	-
L1	+ DC. AC	△	8	SEE OUTPUT DETAIL	-
GRND	PS GROUND	-	9	+ DIGITAL IN/OUT 2	
1	COIL POSITIVE		10	- DIGITAL IN/OUT 2	△
2	COIL NEGATIVE	△	11	+ DIGITAL IN/OUT 1	△
3	COIL SHIELD		12	- DIGITAL IN/OUT 1	
5	+ PULSE		17	ELECTRODE REFERENCE	
6	- PULSE	-	18	ELECTRODE NEGATIVE	-
-			19	ELECTRODE POSITIVE	

OUTPUT DETAIL				
OUTPUT	ANALOG.HART INTERNAL POWER	ANALOG.HART EXTERNAL POWER	MODBUS RS-485	FIELD BUS
7	-	+	A	△
8	+	-	B	

- △ REPLACE SAFETY COVER BEFORE USE.
- △ D1/DO (IF ORDERED).
- △ OUTPUT IS POLARITY INSENSITIVE.

WIRING NOTE
 DRAIN/SHIELD OF COIL TERMINAL (SC, 3 OR TERMINAL GROUND) AND DRAIN/SHIELD OF ELECTRODE WIRING IS NOT CONNECTED ON FLOWTUBE END IN TYPICAL INSTALLATIONS.

AN ADDITIONAL CORRECTLY SIZED SAFETY EARTH CONDUCTOR WILL BE REQUIRED ON INSTALLATIONS REQUIRING SHIELDS GROUNDED TO CHASSIS/EARTH AT BOTH ENDS OF THE REMOTE CABLE. THERE MUST BE 1 OHM OR LESS OF RESISTANCE AT EACH END OF THE SAFETY GROUND AT THE DEVICE WITH RESPECT TO THE EARTH SAFETY GROUND.

SEE DETAIL "A" FOR ELECTRODE WIRE CONSTRUCTION
 SEE DETAIL "B" FOR COIL DRIVE WIRE CONSTRUCTION

CABLE WIRING REQUIRE USING CABLE GLANDS INSTALLED IN HOUSING CONDUITS. UNUSED CONDUITS SHOULD BE CLOSED

CONFIDENTIAL AND PROPRIETARY INFORMATION IS CONTAINED HEREIN AND MUST BE HANDLED ACCORDINGLY. ROSEMOUNT

UNLESS OTHERWISE SPECIFIED DIMENSIONS IN INCHES (mm). REMOVE ALL BURRS AND SHARP EDGES.

EMERSON
 8200 Market Boulevard - Chanhassen, MN 55317 USA

TITLE 8712EM OR 8750WDM TRANSMITTER WIRING. INSTALLATION DRAWING

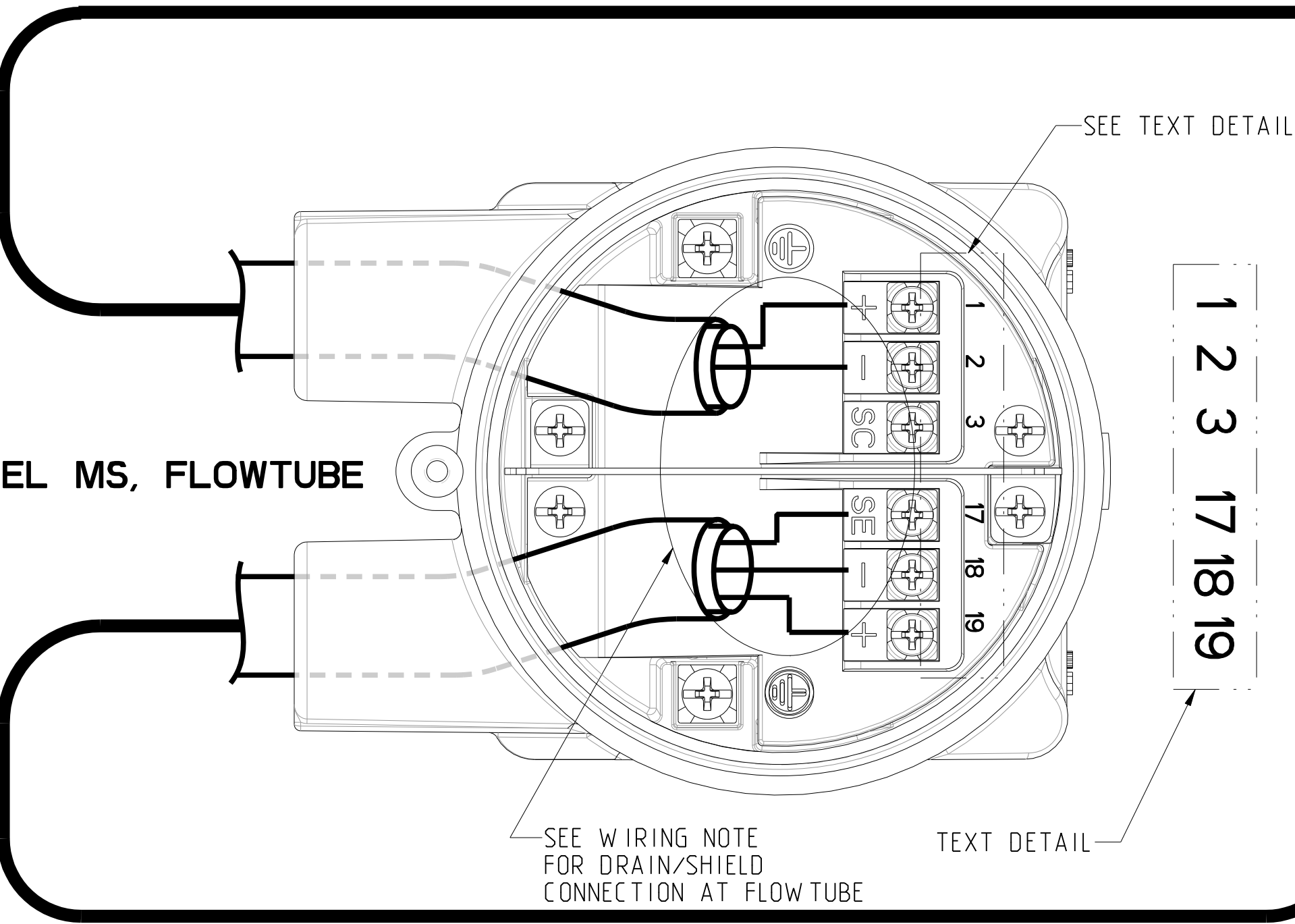
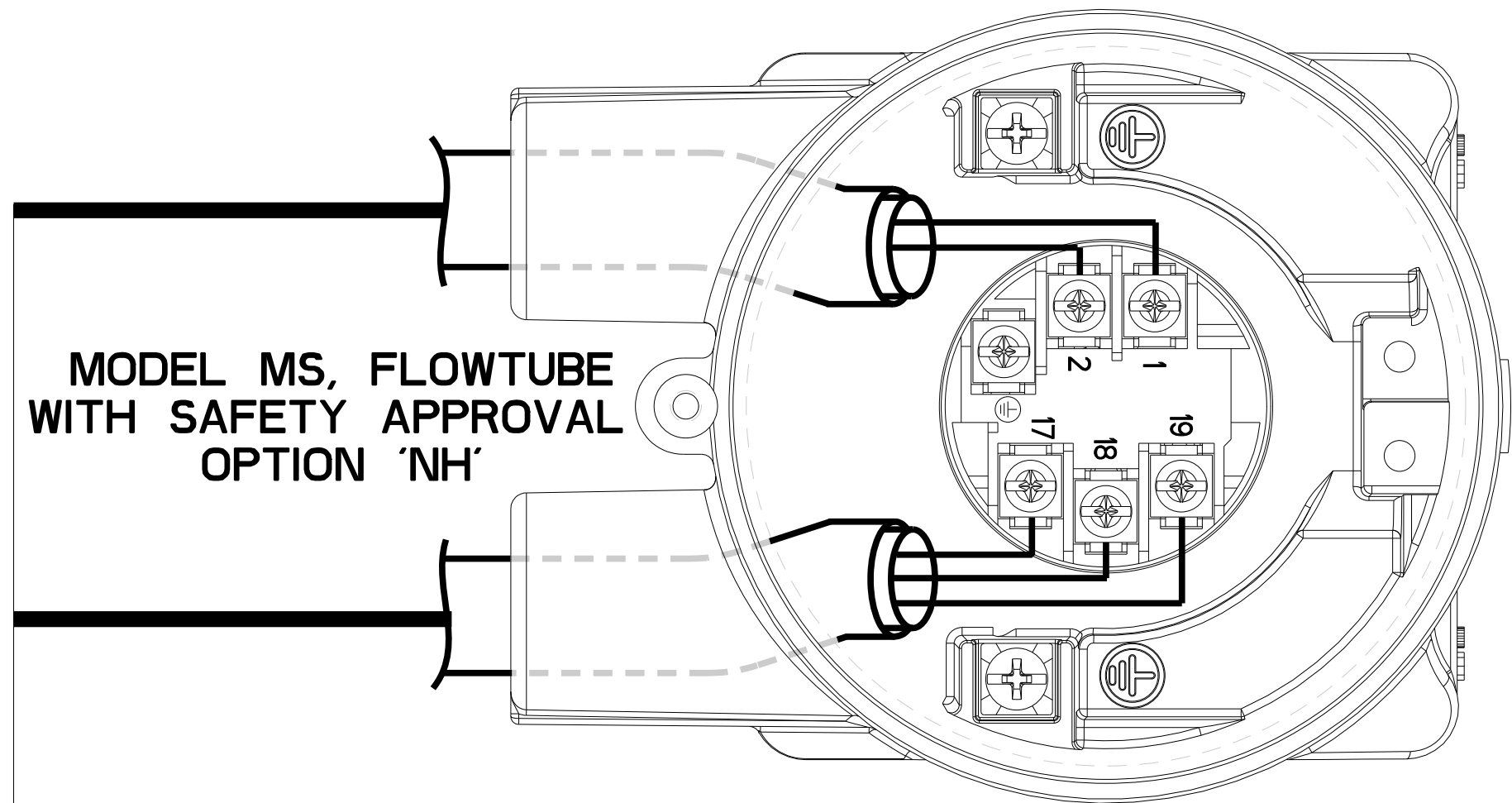
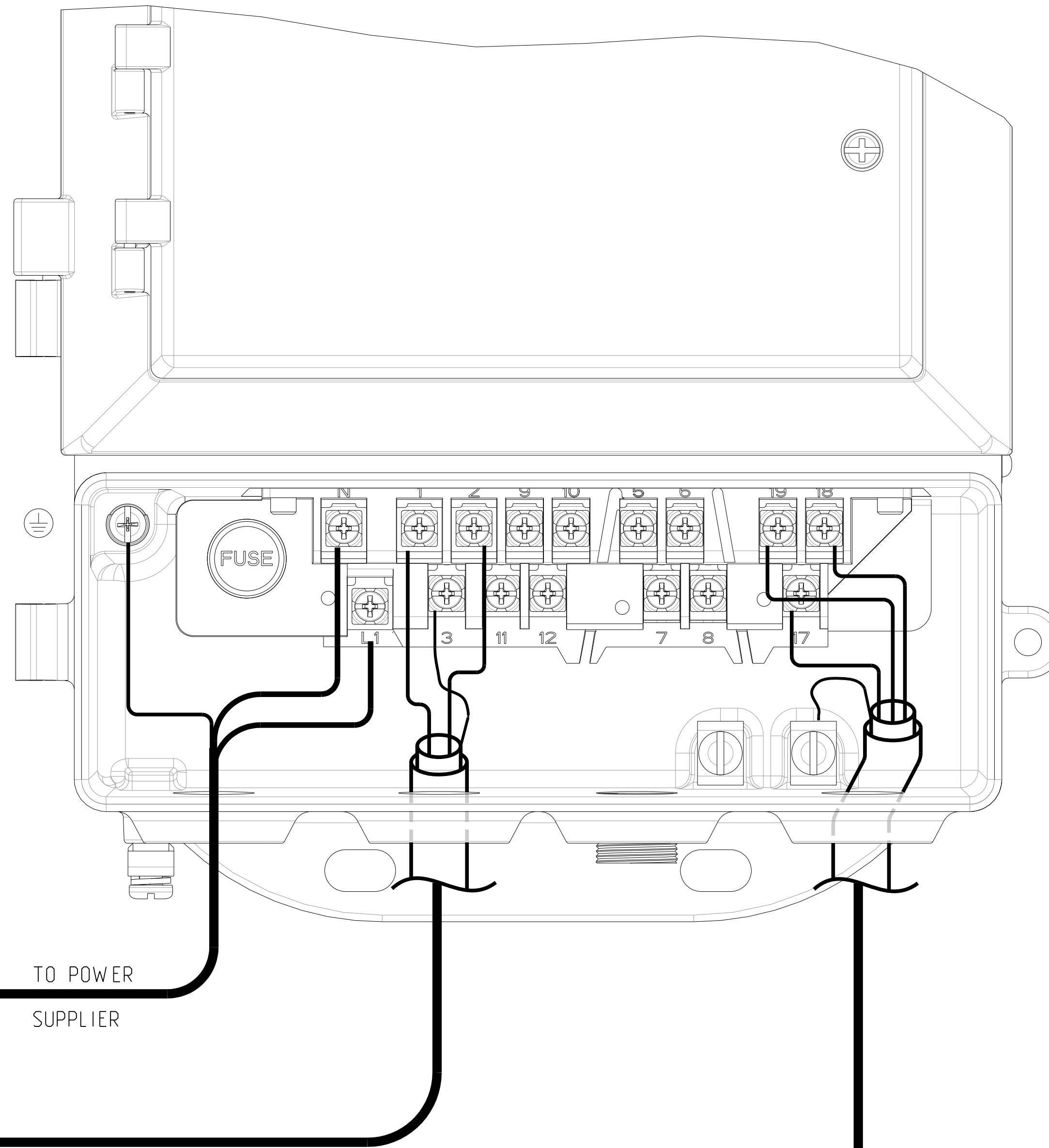
DR. K.KONYUKHOV JUN.2017 DRAWING NO.
 APP'D.M.MIKOLICHEK JUL.2017

8712-1504

DO NOT SCALE PRINT | CAD MAINTAINED. (PROJ) PRODUCT CODE | - | DOC TYPE | - SHEET 1 OF 3

DRAWING NO. 08712-1504

**THIS SHEET FOR 8782 TRANSMITTER WIRING
USING COMPONENT CABLES**



8782 WIRING DIAGRAM

TERMINAL	DESCRIPTION	TERMINAL	DESCRIPTION
N / L2	- DC. AC	7	SEE OUTPUT DETAIL
L1	+ DC. AC	8	SEE OUTPUT DETAIL
GRND	PS GROUND	9	+ DIGITAL IN/OUT 2
1	COIL POSITIVE	10	- DIGITAL IN/OUT 2
2	COIL NEGATIVE	11	+ DIGITAL IN/OUT 1
3	COIL SHIELD	12	- DIGITAL IN/OUT 1
5	+ PULSE	17	ELECTRODE REFERENCE
6	- PULSE	18	ELECTRODE NEGATIVE
-		19	ELECTRODE POSITIVE

WIRING NOTE

DRAIN/SHIELD OF COIL TERMINAL (SC, 3 OR TERMINAL GROUND) AND DRAIN/SHIELD OF ELECTRODE WIRING IS NOT CONNECTED ON FLOWTUBE END IN TYPICAL INSTALLATIONS.

AN ADDITIONAL CORRECTLY SIZED SAFETY EARTH CONDUCTOR WILL BE REQUIRED ON INSTALLATIONS REQUIRING SHIELDS GROUNDED TO CHASSIS/EARTH AT BOTH ENDS OF THE REMOTE CABLE. THERE MUST BE 1 OHM OR LESS OF RESISTANCE AT EACH END OF THE SAFETY GROUND AT THE DEVICE WITH RESPECT TO THE EARTH SAFETY GROUND.

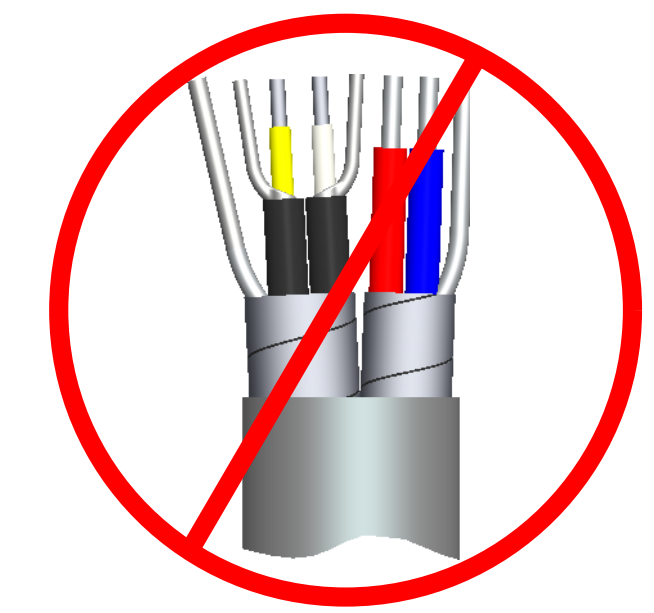
SEE DETAIL "A" FOR ELECTRODE WIRE CONSTRUCTION
SEE DETAIL "B" FOR COIL DRIVE WIRE CONSTRUCTION

CABLE WIRING REQUIRE USING CABLE GLANDS INSTALLED IN HOUSING CONDUITS. UNUSED CONDUITS SHOULD BE CLOSED

OUTPUT DETAIL

OUTPUT	ANALOG.HART INTERNAL POWER	ANALOG.HART EXTERNAL POWER	MODBUS RS-485	FIELDBUS
7	-	+	A	C
8	+	-	B	

- A REPLACE SAFETY COVER BEFORE USE.
- B DI/DO (IF ORDERED).
- C OUTPUT IS POLARITY INSENSITIVE.



DO NOT USE COMBINATION CABLE WITH 8782 TRANSMITTER

DETAIL "A"
19 (+) ELECTRODE
18 (-) ELECTRODE
17 ELECTRODE SHIELD/DRAIN

TWISTED STRANDED INSULATED 20 AWG CONDUCTORS
OVERLAPPING FOIL SHIELD
OUTER JACKET

DRAIN

ALPHA DIRECT CABLE PART NUMBERS	CABLE OUTSIDE DIAMETER
518244 ⁽¹⁾	0.195" / 4.95mm
518245	
518189 ⁽²⁾	0.249" / 6.32mm
840309 ⁽¹⁾⁽²⁾	
ALPHA EQUIVALENT: 2413C	

DETAIL "B"
1 (+) COIL
2 (-) COIL
3 COIL SHIELD/DRAIN

TWISTED PAIR STRANDED INSULATED 14 AWG CONDUCTORS
OVERLAPPING FOIL SHIELD
OUTER JACKET

DRAIN

ALPHA DIRECT CABLE PART NUMBERS	CABLE OUTSIDE DIAMETER
518243	0.296" / 7.52mm
840310 ⁽²⁾	0.394" / 10.0mm
ALPHA EQUIVALENT: 2442C	

TERMINAL NUMBER AND CONDUCTOR INSULATOR WIRE COLOR

ROSEMOUNT CABLING KITS 08732-0065-XXXX	ALPHA PART NUMBERS 518244, (1) 518245 518189(2), 840309(1)(2)	ALPHA PART NUMBERS 518243, 840310(2)
19 WHITE	19 WHITE	
18 YELLOW	18 YELLOW	
17 BLACK	17 BLACK	
1 RED	-	1 RED
2 BLUE	-	2 BLUE
3 DRAIN (SHIELD)	-	3 DRAIN (SHIELD)

NOTES:
STANDARD TEMPERATURE: RATED (-20°C TO 75°C)
(1) INTRINSICALLY SAFE, LIGHT BLUE JACKET
(2) EXTENDED TEMPERATURE (RATED -50°C TO 125°C)

CONFIDENTIAL AND PROPRIETARY INFORMATION IS CONTAINED HEREIN AND MUST BE HANDLED ACCORDINGLY. ROSEMOUNT

UNLESS OTHERWISE SPECIFIED DIMENSIONS IN INCHES (mm). REMOVE ALL BURRS AND SHARP EDGES.

FRACCTIONS ± 1/32 ANGLES ± 1°

SURFACE FINISH UNLESS OTHERWISE SPECIFIED 125° 3RD ANGLE

SIZE D SCALE 5/4 REV AE

ROSEMOUNT
8200 Market Boulevard - Chanhassen, MN 55317 USA

TITLE 8712EM OR 8750WDM TRANSMITTER WIRING. INSTALLATION DRAWING

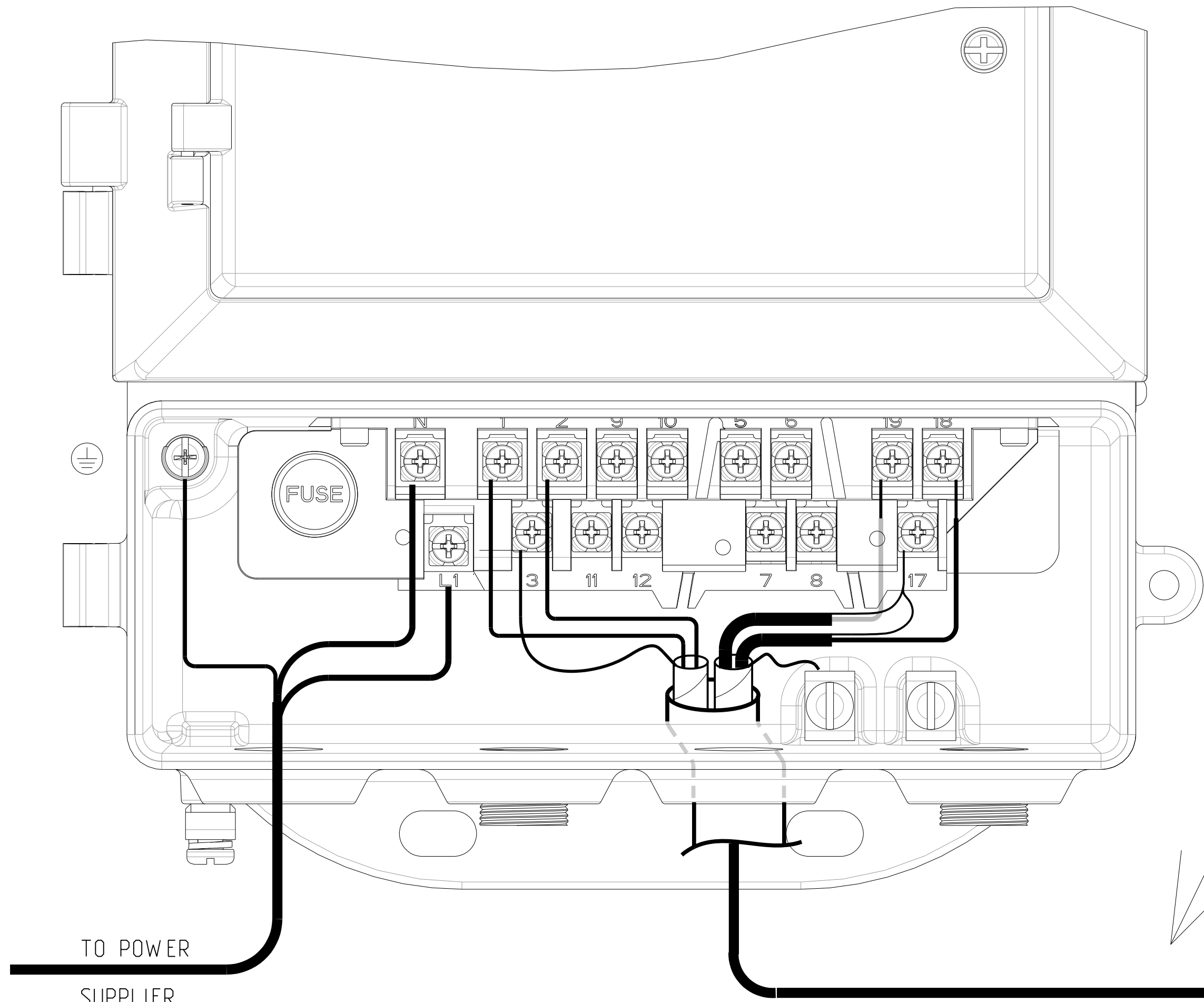
DR. K.KONYUKHOV JUN. 2017 DRAWING NO. APP'D.M.MIKOLICHEK JUL. 2017

08712-1504

DO NOT SCALE PRINT CAD MAINTAINED (PROJ) PRODUCT CODE - [] DOC TYPE - SHEET 2 OF 3

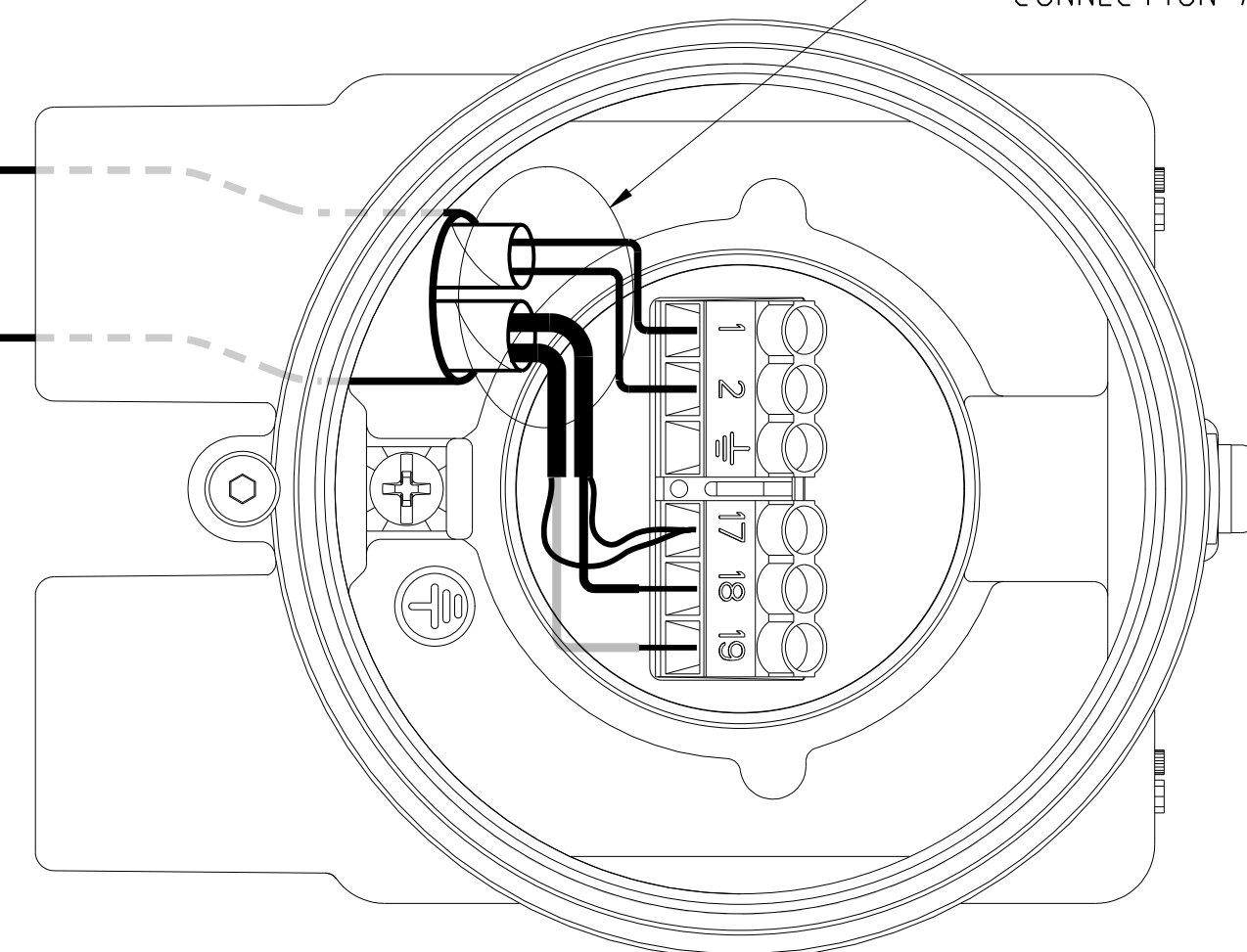
DRAWING NO. 08712-1504

THIS SHEET FOR 8712EM OR 8750WDM TRANSMITTER WIRING
USING COMBINATION ELECTRODE AND COIL DRIVE CABLE



MODEL 8705,
8711 E-SERIES
FLOWTUBES

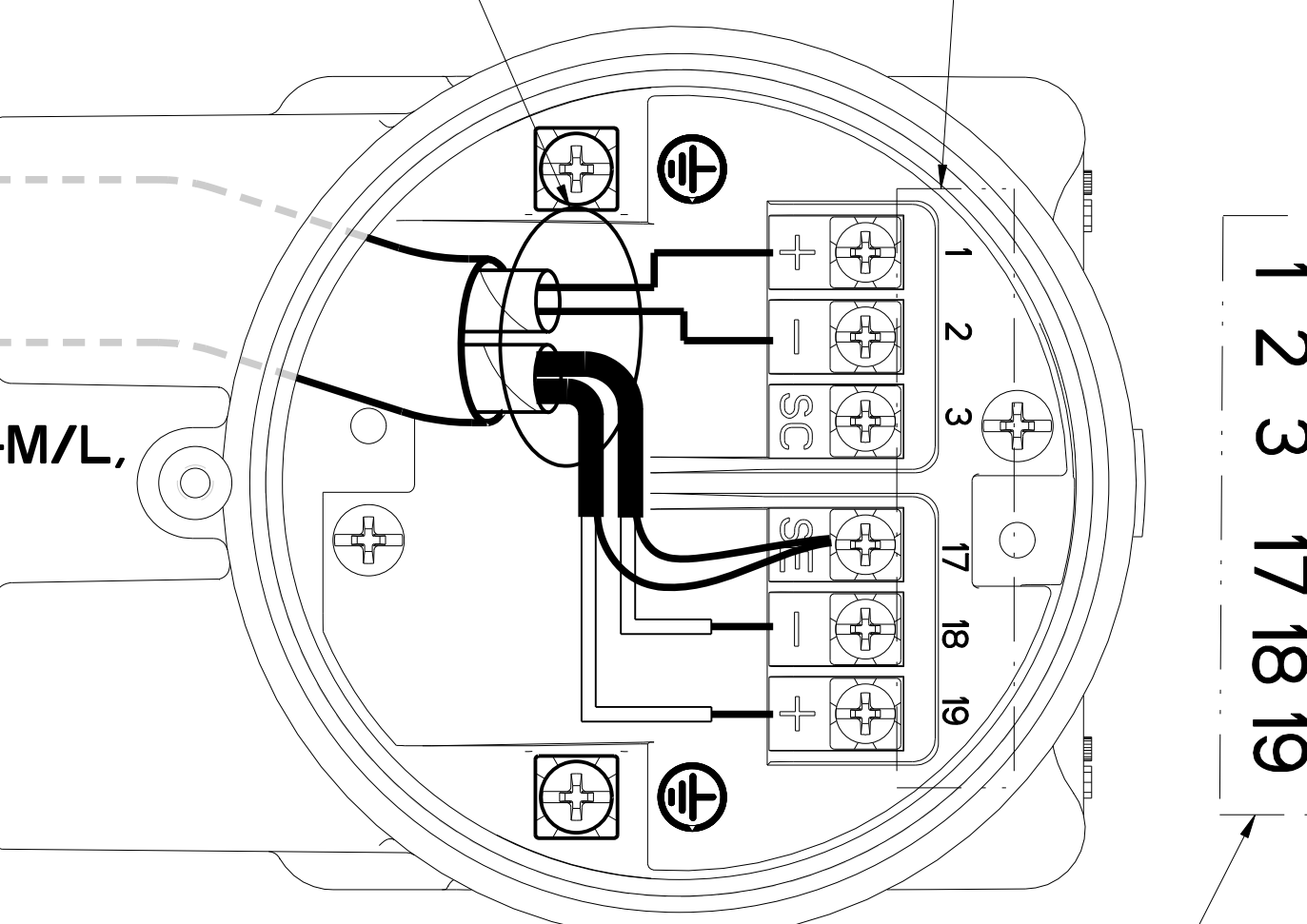
SEE WIRING NOTE
FOR DRAIN/SHIELD
CONNECTION AT FLOW TUBE



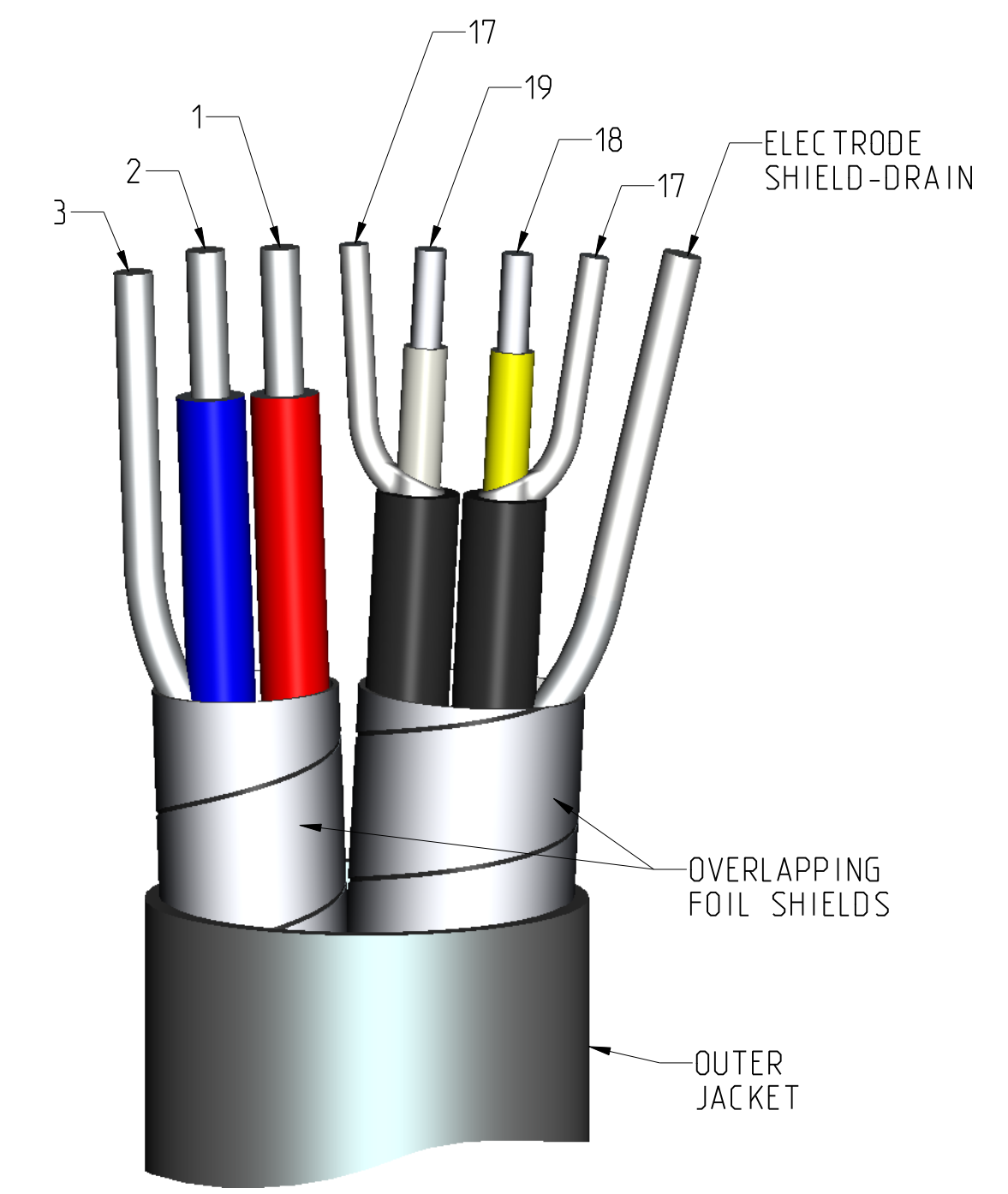
SEE WIRING NOTE
FOR DRAIN/SHIELD
CONNECTION AT FLOW TUBE

SEE TEXT DETAIL

MODEL 8705-M, 8711-M/L,
8721-M/L, 8750WD
FLOWTUBES



TEXT DETAIL



DETAIL "C"

TERMINAL	DESCRIPTION	TERMINAL	DESCRIPTION
N / L2	- DC, AC	7	SEE OUTPUT DETAIL
L1	+ DC, AC	8	SEE OUTPUT DETAIL
GRND	PS GROUND	9	+ DIGITAL IN/OUT 2
1	COIL POSITIVE	10	- DIGITAL IN/OUT 2
2	COIL NEGATIVE	11	+ DIGITAL IN/OUT 1
3	COIL SHIELD	12	- DIGITAL IN/OUT 1
5	+ PULSE	17	ELECTRODE REFERENCE
6	- PULSE	18	ELECTRODE NEGATIVE
-		19	ELECTRODE POSITIVE

OUTPUT	ANALOG.HART INTERNAL POWER	ANALOG.HART EXTERNAL POWER	MODBUS RS-485	FIELDBUS
7	-	+	A	C
8	+	-	B	

- A REPLACE SAFETY COVER BEFORE USE.
- B DI/DO (IF ORDERED).
- C OUTPUT IS POLARITY INSENSITIVE.

WIRING NOTE
DRAIN/SHIELD OF COIL TERMINAL (SC, 3 OR TERMINAL GROUND) AND DRAIN/SHIELD OF ELECTRODE WIRING IS NOT CONNECTED ON FLOW TUBE END IN TYPICAL INSTALLATIONS.
AN ADDITIONAL CORRECTLY SIZED SAFETY EARTH CONDUCTOR WILL BE REQUIRED ON INSTALLATIONS REQUIRING SHIELDS GROUNDED TO CHASSIS/EARTH AT BOTH ENDS OF THE REMOTE CABLE. THERE MUST BE 1 OHM OR LESS OF RESISTANCE AT EACH END OF THE SAFETY GROUND AT THE DEVICE WITH RESPECT TO THE EARTH SAFETY GROUND.
SEE DETAIL "C" FOR WIRE CONSTRUCTION
CABLE WIRING REQUIRE USING CABLE GLANDS INSTALLED IN HOUSING CONDUITS. UNUSED CONDUITS SHOULD BE CLOSED

TERMINAL NUMBER	CONDUCTOR INSULATOR WIRE COLOR
19	WHITE
18	YELLOW
17	BLACK
-	DRAIN (ELECTRODE SHIELD)
1	RED
2	BLUE
3	DRAIN (COIL SHIELD)

ROSEMOUNT COMBINATION
COIL/ELECTRODE CABLE COLOR CODING
PART NUMBERS
STANDARD 08732-0065-2001⁽¹⁾ (FEET)
STANDARD 08732-0065-2002⁽¹⁾ (METERS)
SUBMERSIBLE 08732-0065-3001⁽²⁾ (FEET)
SUBMERSIBLE 08732-0065-3002⁽²⁾ (METERS)

NOTES:
OUTSIDE DIAMETER OF ALL PART NUMBERS:
0.450"/11.43mm
JACKET COLOR/TEMPERATURE RATING
(1) GRAY - RATED -20°C TO 80°C
(2) BLACK - RATED -20°C TO 80°C DRY
60°C WET (SUBMERGED)

CONFIDENTIAL AND PROPRIETARY INFORMATION IS CONTAINED HEREIN AND MUST BE HANDLED ACCORDINGLY. ROSEMOUNT	SURFACE FINISH UNLESS OTHERWISE SPECIFIED 125/3RD ANGLE	SIZE D	SCALE 5/4	REV AE
UNLESS OTHERWISE SPECIFIED DIMENSIONS IN INCHES (mm). REMOVE ALL BURRS AND SHARP EDGES.	ROSEMOUNT 8200 Market Boulevard - Chanhassen, MN 55317 USA			
-.X ± .1 (2.5) -.XX ± .02 (0.5) -.XXX ± .010 (0.25)	TITLE 8712EM OR 8750WDM TRANSMITTER WIRING. INSTALLATION DRAWING			
FRACTIONS ± 1/32	ANGLES ± 2°	DR. K.KONYUKHOV APP'D M. MIKOLICHEK	JUN. 2017 JUL. 2017	DRAWING NO. 08712-1504
DO NOT SCALE PRINT CAD MAINTAINED (I/PROJ) PRODUCT CODE		- I/DOC TYPE - SHEET 3 OF 3		

DRAWING NO. 08712-1504