



KUNKLE MODEL 338 BLOWER RELIEF VALVE

SAFETY AND RELIEF PRODUCTS

A non-code blower relief valve for air service, providing modulated lift and reseal action



FEATURES

- Large nozzle design provides high capacity.
- Soft seat design for optimum shutoff.
- Lightweight construction.
- Valve modulates specifically for bulk transportation blower applications.
- Hard coat anodized aluminum bonnet for corrosion protection.
- Tamper-resistant cap protects factory setting.
- Tested and inspected for pressure setting and leakage.

GENERAL APPLICATION

Model 338 is suitable for the protection of low to medium pressure, high volume blowers and for use on bulk hauling trailers and equipment.

TECHNICAL DATA

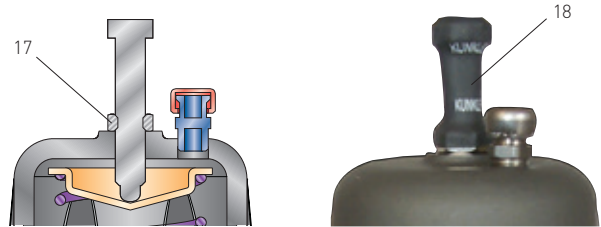
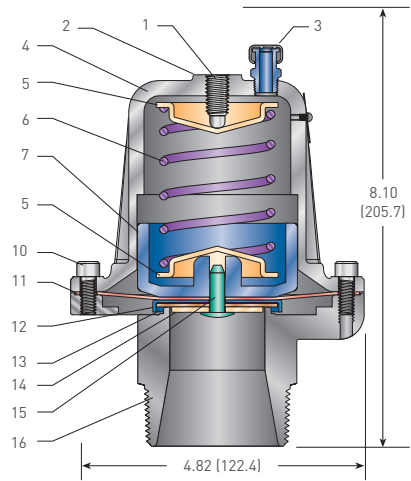
Connections:	Threaded NPT
Temperature range:	-30°F to 400°F (-34°C to 204°C)
Pressure range:	5 to 30 psig (0.34 to 2.07 barg)

KUNKLE MODEL 338 BLOWER RELIEF VALVE

SAFETY AND RELIEF PRODUCTS

PARTS AND MATERIALS

No.	Part name	Material	Material specification
1	Adjustment screw	SS	SS 18-8
2	Anti-tamper seal	Nylon	Commercial
3	Vent	CS	AISI 12L14
4	Bonnet	Aluminum	356-T6 w/anodize
5	Spring step	Aluminum	ASTM B209-5052-H32
6	Spring	SS	17-7 or 302
7	Guide	Aluminum	356-T6 w/anodize
10	Screw	SS	SS 18-8
11	Diaphragm	Silicone	AMS-3320
12	Disc holder	Brass	ASTM B36 Alloy 260
13	Seat disc	Silicone	AMS-3320
14	Washer	Aluminum	6061-T6
15	Rivet, bulb-tite	Aluminum	Commercial
16	Nozzle	Aluminum	ASTM B26-356-T6
17	Lock nut	SS	SS 18-8
18	Anti-tamper sleeve	Polyolefin	VersaFit 3/4-0-FSP



Optional - set screw with tamper-evident heat shrink sleeve that provides protection of factory setting

SPECIFICATIONS

End connection	Model	Weight
NPT		lbs. (kgs)
2" (50.8 mm)	338	2.7 (1.23)

FLOW CAPACITY (MALE THREADED)

Set (psig)	Flow at full lift (SCFM)
5	271
7	366
9	461
12	603
15	746
18	888
20	983
23	1125
25	1220
27	1315
30	1458

SELECTION GUIDE

Example: 0338 - H 01 - N M 0015

Model
0338

Variation

- 01** Male Inlet, with cut-off screw
- 02** Male Inlet, with tamper-evident sleeve

Set pressure

5 psig (0005) to 30 psig (0030)

