



VAREC 42 SERIES SAMPLING AND GAUGING HATCH COVERS

Lockable covers designed to provide quick access to tanks for product gauging, temperature measurement and sampling



FEATURES

- Non-sparking design.
- Corrosion resistant 356 HT aluminum construction as standard.
- Choice of NBR, PTFE and FKM seat inserts.
- Lockdown device allows for a gas-tight seal up to 3 psig (20.7 kPa).
- Ergonomically friendly handwheel with padlock feature to prevent unauthorized tank access.
- Safety foot pedal frees operator's hands while gauging or sampling the tank contents.
- Once open, the cover can remain open for ease of use.
- Optional steel base available for welding to the tank roof.

GENERAL APPLICATION

The 42 Series hatch covers are installed on tanks to provide access for gauging, temperature measurement and sampling.

TECHNICAL DATA

Materials:	Aluminum (standard) Other materials available on request
Sizes:	4" to 10" (100 to 250 mm)
Connections:	Drilled flange

VAREC 42 SERIES SAMPLING AND GAUGING HATCH COVERS

SPECIFICATIONS

DIMENSIONS AND WEIGHTS, In. (mm) and lbs. (kg)

Size code		4	6	8	0
A	Nominal pipe size	4 (100)	6 (150)	8 (200)	10 (250)
B	Height	5¼ (146)	6¾ (171)	6¾ (171)	7 (178)
C	Flange diameter	9 (229)	11 (279)	13½ (343)	16 (406)
D	Flange thickness	½ (13)	9/16 (14)	9/16 (14)	5/8 (16)
E	Clearance	8½ (206)	9¾ (248)	10¾ (276)	12 (305)
F	Diameter bolt circle	7½ (191)	9½ (241)	11¾ (298)	14¼ (362)
G	Number of holes	8	8	8	12
H	Hole size	¾ (19)	7/8 (22)	7/8 (22)	1 (25)
	Approximate shipping weight	10 (4.5)	12 (5.4)	15 (6.8)	20 (9.1)

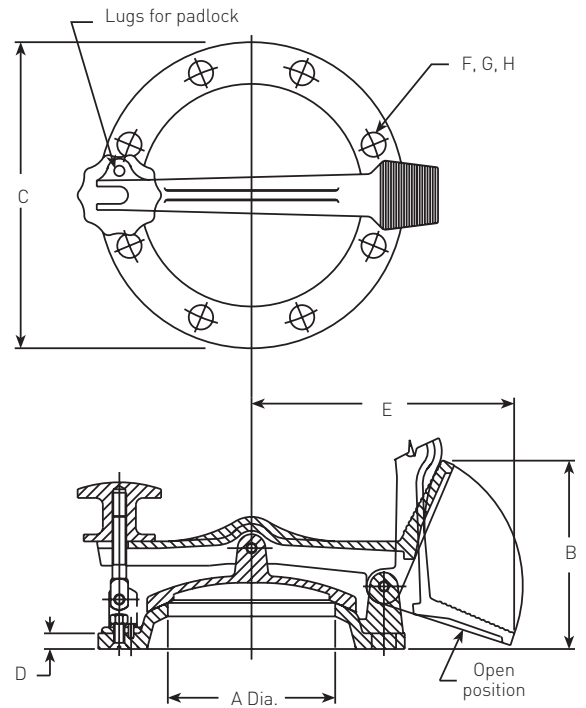
Shipping weights shown for aluminum construction. Flange drilling per ANSI 150# flat face flange. Dimensions are for preliminary general information and should not be used for construction purposes. Certified dimensional drawings are available upon request.

MATERIALS OF CONSTRUCTION

Base	Cover	Seat insert
Aluminum	Aluminum	NBR/FKM/PTFE
Carbon steel	Aluminum	NBR/FKM/PTFE
Stainless steel	Stainless steel	NBR/FKM/PTFE

SELECTION GUIDE

Example:	42	4	11	B	A
Model	42				
	Sampling and gauging hatch - lock down cover				
Size					
4	4"				
6	6"				
8	8"				
0	10"				
Materials					
	Base	Cover			
11	Aluminum	Aluminum			
31	Carbon steel	Aluminum			
66	Stainless steel	Stainless steel			
Insert material					
B	NBR				
V	FKM				
T	PFFE				
Connection type					
A	Flat face flange drilled to ANSI 150 (standard)				
W	Welded connection (available on carbon steel base only)				
D	DIN flat face flange				



Example: 4" 42 Series sampling and gauging hatch cover, all aluminum with NBR insert with flat face flange drilled to ANSI 150 (standard).

