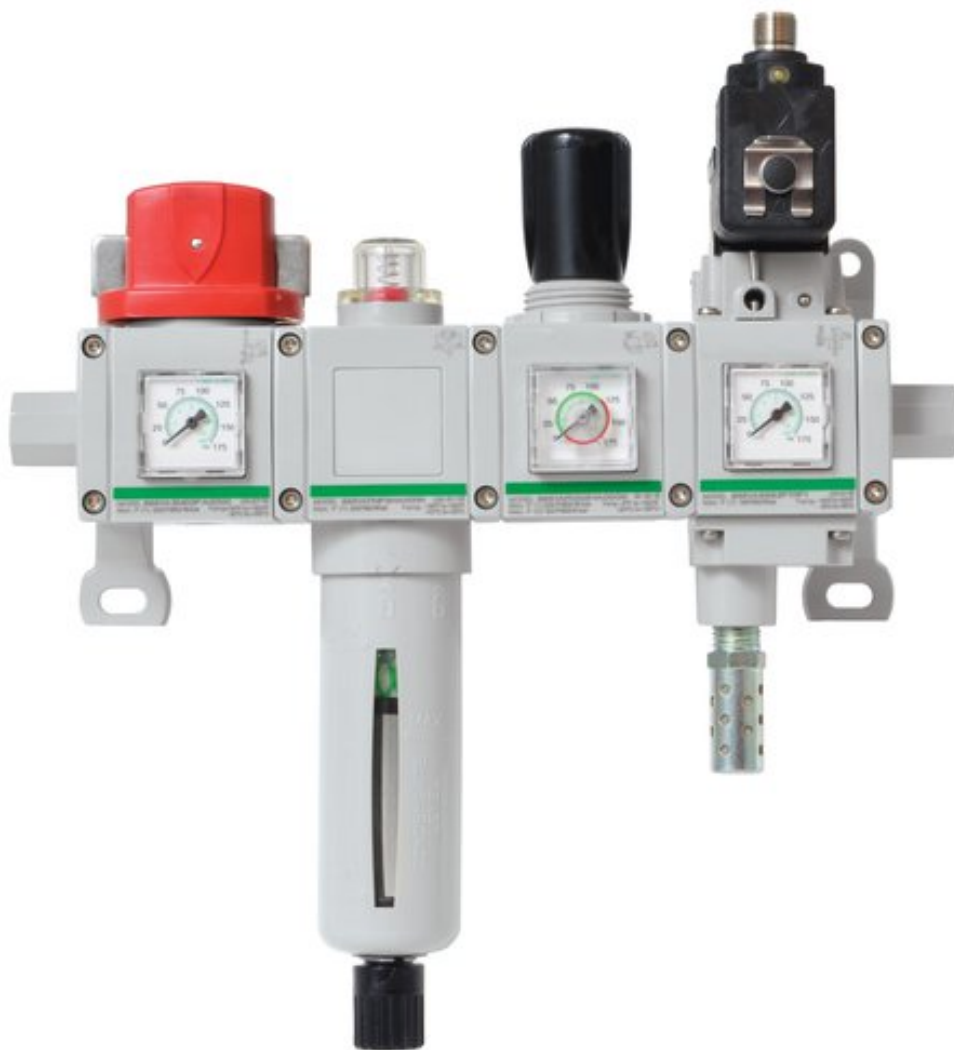


Series 651



AVENTICS™ Series 651

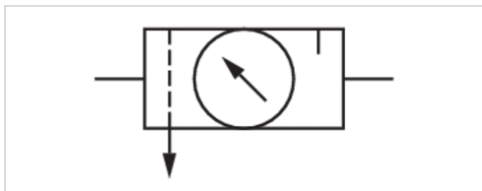


Air preparation unit, 2-part, Series 651

- G 1/8 G 1/4
- filter porosity 25 µm
- With integrated pressure gauge



Brand	ASCO Numatics
Version	2-part, Can be assembled into blocks
Parts	Filter pressure regulator, Lubricator
Working pressure min./max.	0 ... 10 bar
Ambient temperature min./max.	5 ... 50 °C
Medium temperature min./max.	5 ... 50 °C
Adjustment range min./max.	0.5 ... 10 bar
Condensate drain	semi-automatic, open without pressure
	The delivered product varies from that in the illustration. See the drawing for an exact description.



Technical data

Part No.	Port	filter porosity	Condensate drain
A651A0000000400	G 1/8	25 µm	semi-automatic, open without pressure
A651A0000000401	G 1/4	25 µm	semi-automatic, open without pressure

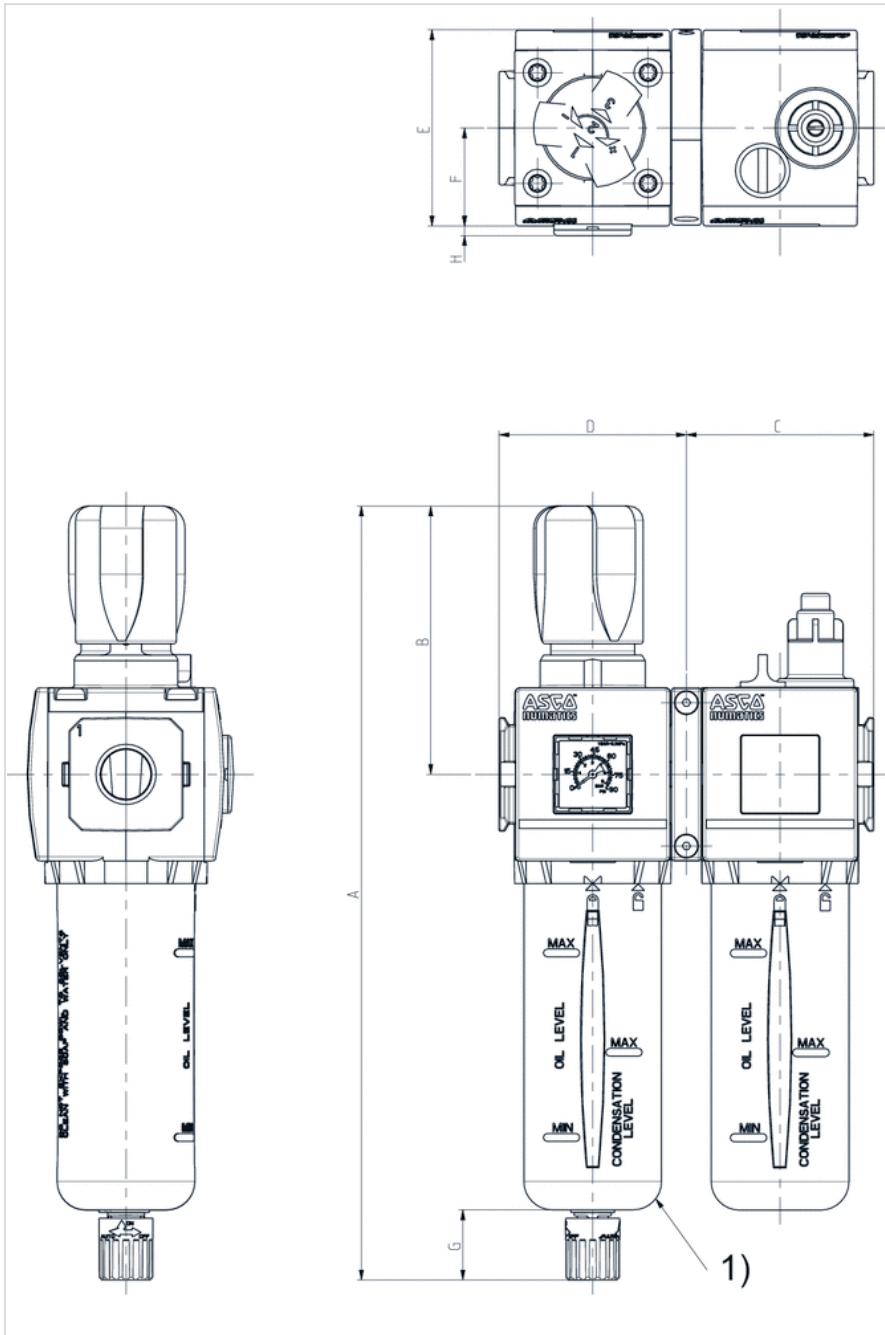
Part No.	Pressure gauge
A651A0000000400	With integrated pressure gauge
A651A0000000401	With integrated pressure gauge

Technical information

Material	
Housing	Aluminum
Seals	Nitrile butadiene rubber
Reservoir	Polycarbonate
Condensate drain	Plastic

Dimensions

Dimensions



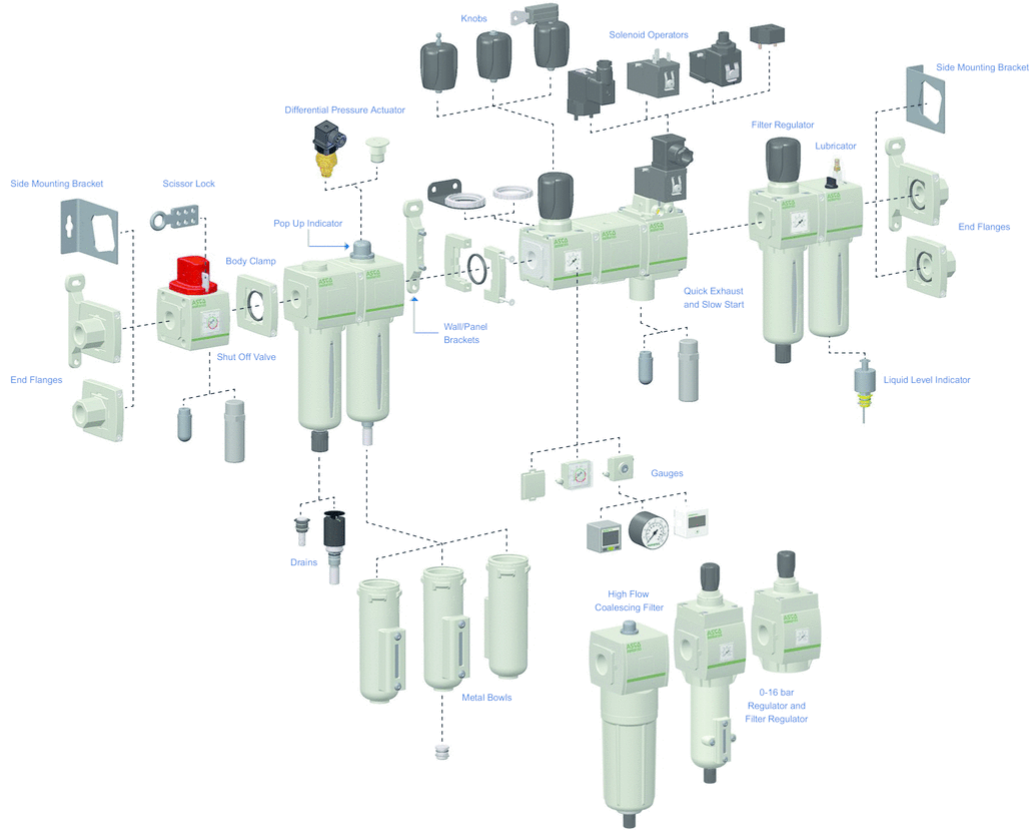
1) To remove the reservoir, allow a clearance of 60 mm from the bottom of the reservoir drain.

Dimensions

Series	A	B	C	D	E	F	G	H
651	241	77	50	50	56	29	25	3,5

Accessories overview

Accessories overview



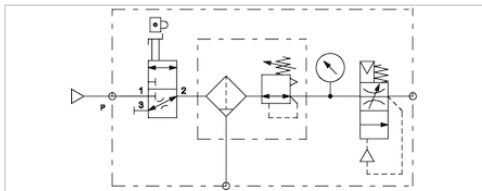
Air preparation unit, 3-part, Series 651

- G 1/8 G 1/4
- filter porosity 25 µm
- With integrated pressure gauge



Brand	ASCO Numatics
Version	3-part, Can be assembled into blocks
Parts	Shut-off valve, Filter pressure regulator, Filling valve
Working pressure min./max.	3.8 ... 10 bar
Ambient temperature min./max.	-10 ... 50 °C
Medium temperature min./max.	-10 ... 50 °C
Medium	Compressed air Neutral gases
Adjustment range min./max.	0.5 ... 10 bar
Condensate drain	semi-automatic, open without pressure

The delivered product varies from that in the illustration. See the drawing for an exact description.



Technical data

Part No.	Port	filter porosity	Condensate drain
A651A0000003635	G 1/8	25 µm	semi-automatic, open without pressure
A651A0000003636	G 1/4	25 µm	semi-automatic, open without pressure

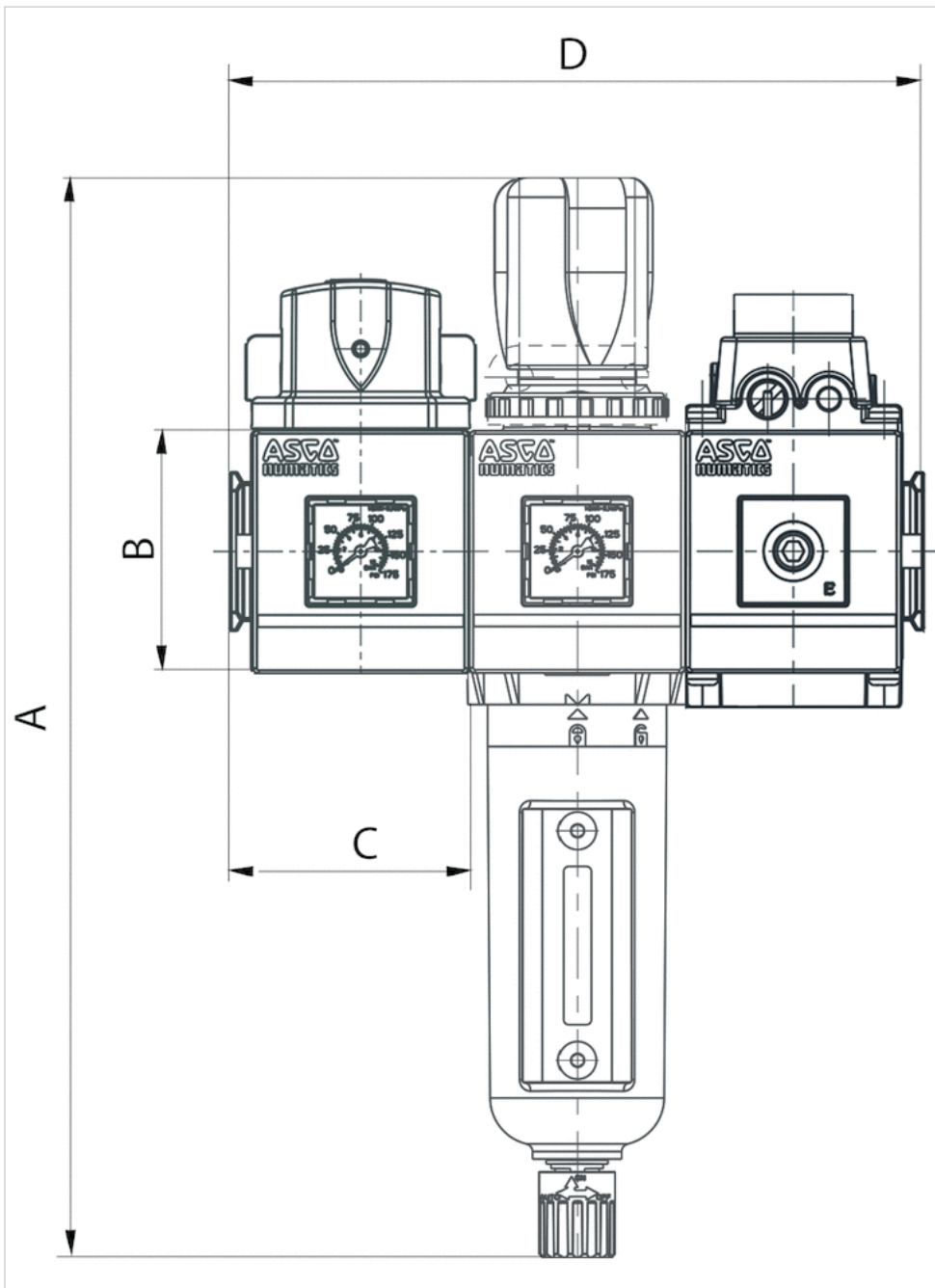
Part No.	Pressure gauge
A651A0000003635	With integrated pressure gauge
A651A0000003636	With integrated pressure gauge

Technical information

Material	
Housing	Aluminum
Seals	Nitrile butadiene rubber
Reservoir	Polycarbonate
Condensate drain	Plastic

Dimensions

Dimensions

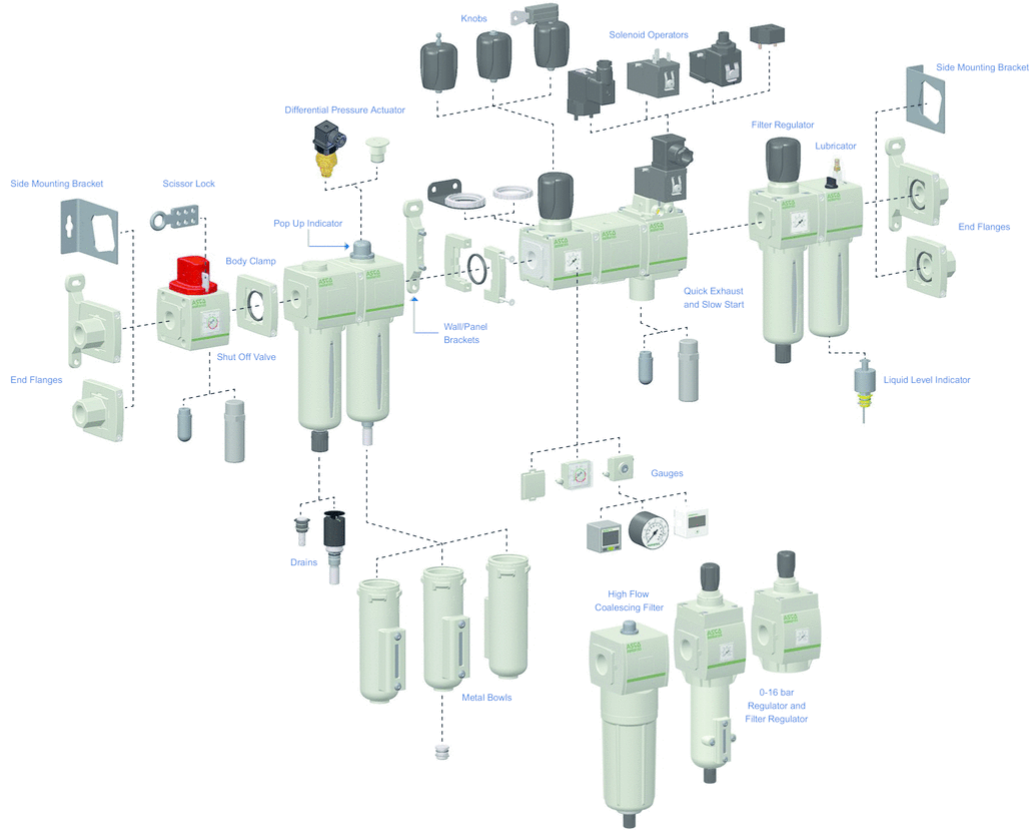


Dimensions

Series	A	B	C	D
651	241	56	50	150

Accessories overview

Accessories overview

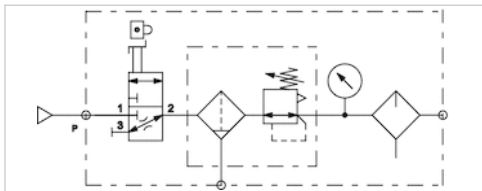


Air preparation unit, 3-part, Series 651

- G 1/8 G 1/4
- filter porosity 25 µm
- With integrated pressure gauge



Brand	ASCO Numatics
Version	3-part, Can be assembled into blocks
Parts	Shut-off valve, Filter pressure regulator, Lubricator
Working pressure min./max.	0 ... 10 bar
Ambient temperature min./max.	5 ... 50 °C
Medium temperature min./max.	5 ... 50 °C
Medium	Compressed air Neutral gases
Adjustment range min./max.	0.5 ... 10 bar
Condensate drain	semi-automatic, open without pressure
The delivered product varies from that in the illustration. See the drawing for an exact description.	



Technical data

Part No.	Port	filter porosity	Condensate drain
A651A0000003390	G 1/8	25 µm	semi-automatic, open without pressure
A651A0000003391	G 1/4	25 µm	semi-automatic, open without pressure

Part No.	Pressure gauge
A651A0000003390	With integrated pressure gauge
A651A0000003391	With integrated pressure gauge

Technical information

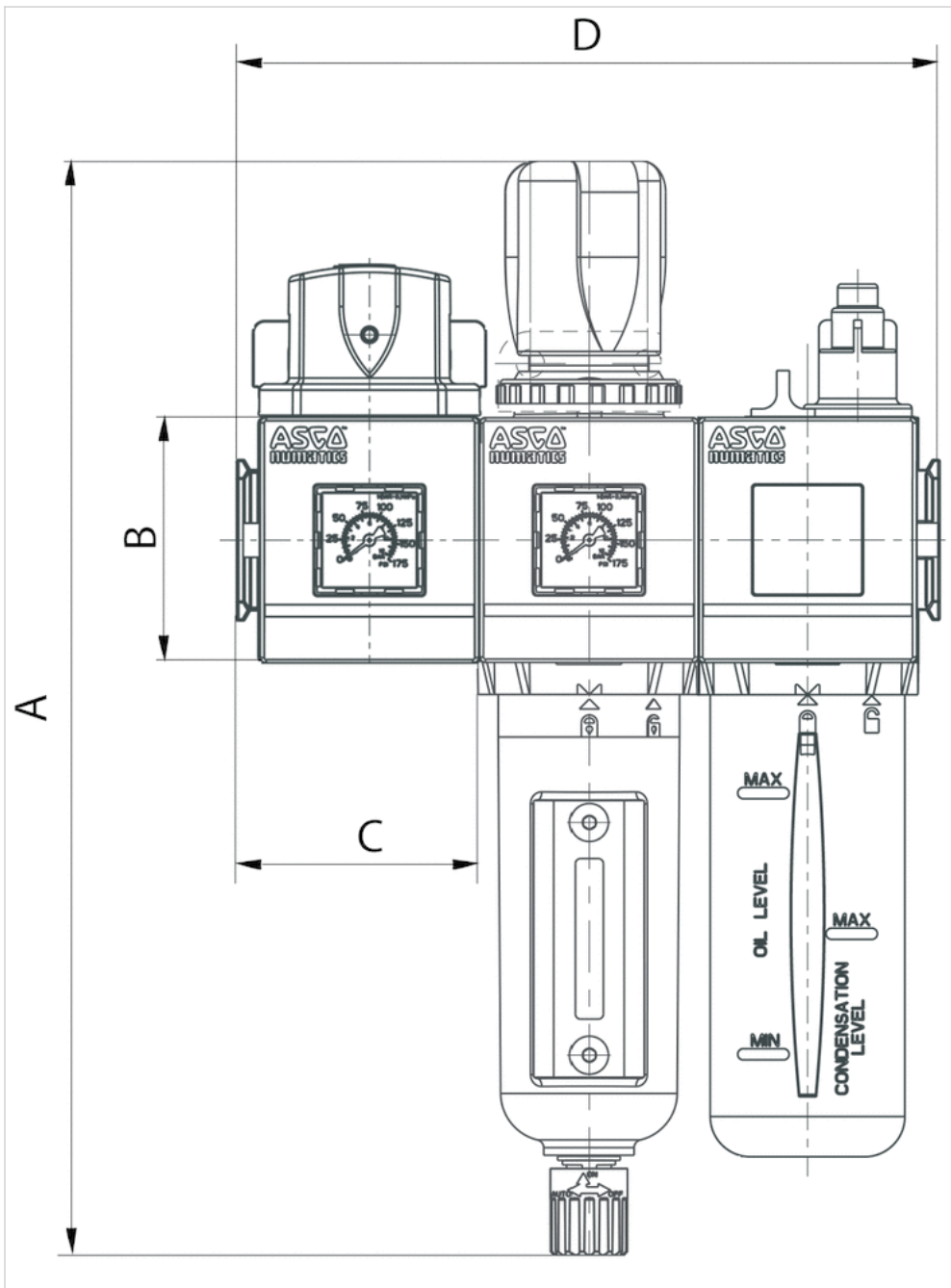
Max. achievable compressed air class acc. to ISO 8573-1:2010 1 : - : 2

Technical information

Material	
Housing	Aluminum
Seals	Nitrile butadiene rubber
Reservoir	Polycarbonate
Condensate drain	Plastic

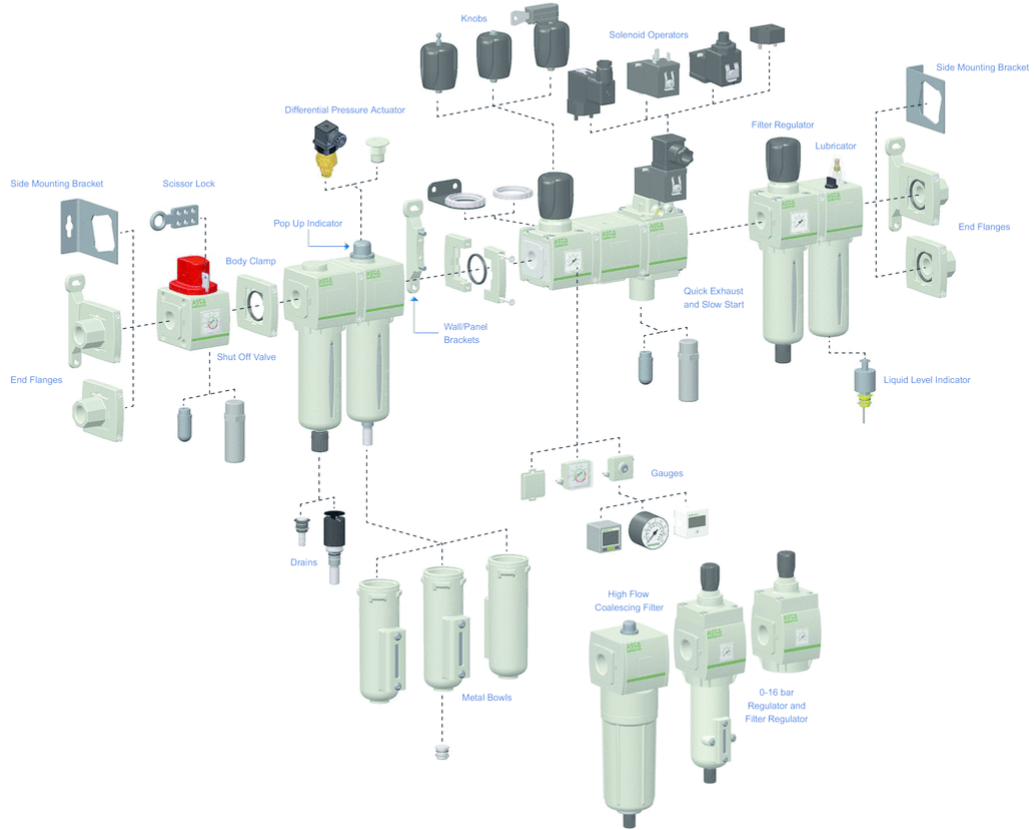
Dimensions

Dimensions



Accessories overview

Accessories overview



Pressure regulator, Series 651

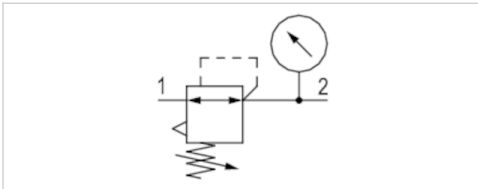
- G 1/8 G 1/4

- Qn = 800-2060 l/min



Brand	ASCO Numatics
Parts	Pressure regulator
Working pressure min./max.	0 ... 16 bar
Ambient temperature min./max.	-20 ... 50 °C
Medium temperature min./max.	-20 ... 50 °C
	Extended temperature range min./max. (optional) -40 °C ... 80 °C
Medium	Compressed air Neutral gases
Regulator type	Can be assembled into blocks
Adjustment range min./max.	0.5 ... 10 bar
Hysteresis	0.3 bar
Weight	0.22 kg

The delivered product varies from that in the illustration. See the drawing for an exact description.



Technical data

Part No.	Port	Flow
		Qn
G651AR001GA00H0	G 1/8	800 l/min
G651AR001PA00H0	G 1/8	800 l/min
G651AR001QA00H0	G 1/8	800 l/min
G651AR002GA00H0	G 1/4	2060 l/min
G651AR002PA00H0	G 1/4	2060 l/min
G651AR002QA00H0	G 1/4	2060 l/min

Part No.	Pressure gauge
G651AR001GA00H0	With integrated pressure gauge
G651AR001PA00H0	Transition plate for assembling a pressure gauge with connection thread G 1/8
G651AR001QA00H0	with pressure gauge
G651AR002GA00H0	With integrated pressure gauge
G651AR002PA00H0	Transition plate for assembling a pressure gauge with connection thread G 1/8
G651AR002QA00H0	with pressure gauge

Nominal flow Qn at p1= 10 bar , p2= 6.3 bar and Δp = 1 bar

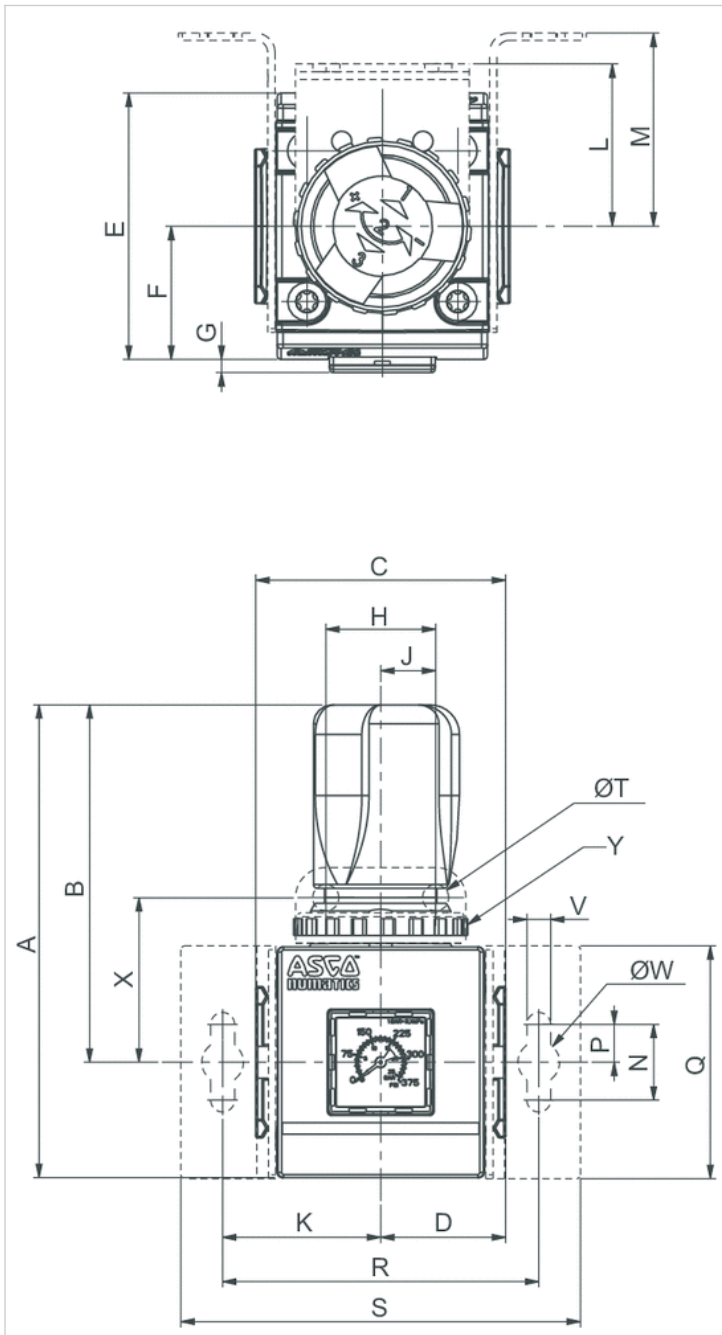
Technical information

Material	
Housing	Aluminum
Front plate	Polyamide

Material	
Seals	Nitrile butadiene rubber

Dimensions

Dimensions

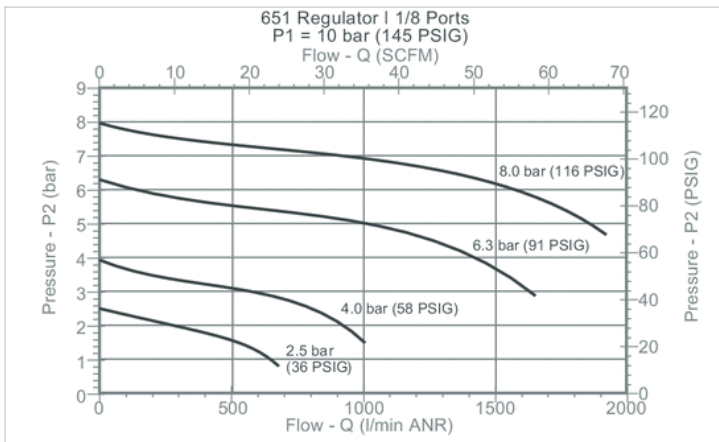


Dimensions

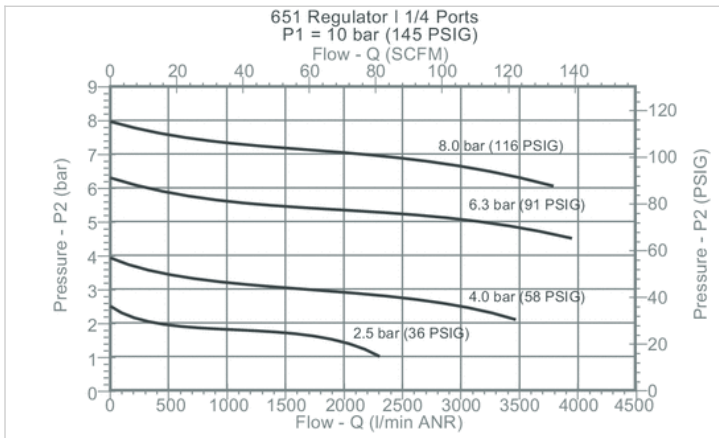
Series	A	B	C	D	E	F	G	H	J	K	L	M	N	P	Q	R	S	T	V	W	X	Y
651	103	77.5	50	25	58	29	3,4	29	14,5	35	42	44,5	20	10	50	70	92	7	6,3	11	39,1	M30x2

Diagrams

Flow diagram, G 1/8

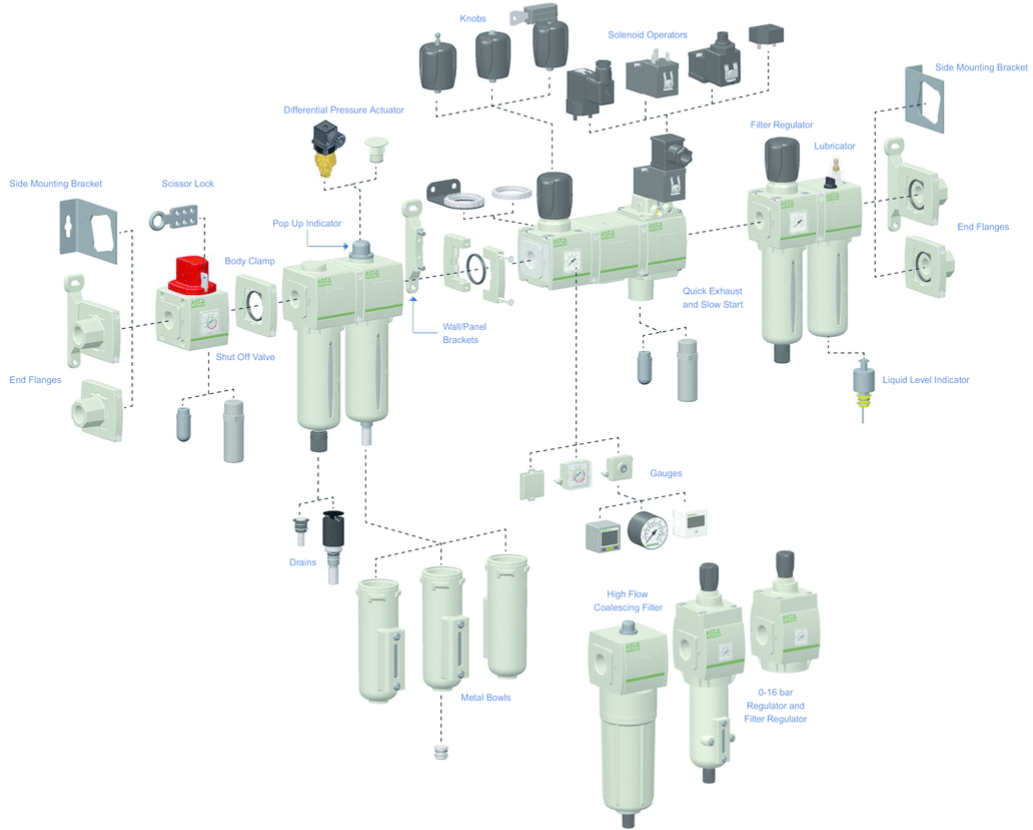


Flow diagram, G 1/4



Accessories overview

Accessories overview



Ordering information

G 651 A R 0 0 2 G A00 H 0


Thread connection
 G = ISO 228/1-G ⁽¹⁾
 8 = NPTF

Product series
 651
 652
 653

Revision letter
 A

Product type
 K = Regulator "Quick Relief Option" (652 only)
 R = Regulator ⁽²⁾
 W = Pilot Operated Regulator (652 only)

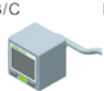
K/R **w**




Port size
 1 = 1/8 (651 Series)
 2 = 1/4 (651 or 652 Series)
 3 = 3/8 (652 Series)
 4 = 1/2 (652 Series)
 5 = 3/4 (653 Series)
 6 = 1 (653 Series)

Gauge type
 B = Digital pressure switch - PNP
 C = Digital pressure switch - NPN
 D = Digital gauge
 G = Low profile integrated gauge bar/PSI
 J = Low profile integrated gauge bar/PSI with pressure range indicators
 Q = Round gauge bar/PSI
 0 = No gauge port
 P = Port Plate Rc 1/8


B/C




D




G




J




P




Q



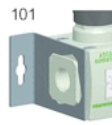
0




Pressure range
 D = 0,2..3 bar
 H = 0,5..10 bar
 N = 0,5..16 bar (653 only)

Options ⁽³⁾
 A00 = Without option
 101 = Side Mounting Brackets
 102 = Panel Nut (651 or 652)
 103 = Tamper resistant
 104 = Key lockable
 105 = High temperature (+80°C)
 106 = Low temperature (-40°C) ⁽⁴⁾
 109 = FPM seals
 113 = Stainless steel fasteners
 114 = Provision for key lock
 117 = ATEX zones 1-21 
 119 = Panel Bracket with Panel Nut (651 or 652)
 121 = Non-relieving
 122 = Bottom oriented pressure adjustment
 123 = Gauge type mounted for right-to-left flow
 124 = CUTR Certification (EAC)
 125 = CUTR Ex
 202 = 105 + 109
 2A9 = 105 + 106


101




103




104




119



122



123



⁽¹⁾ Conforms to ISO standards 1179-1.

⁽²⁾ Relieving standard; use option 121 for non-relieving

⁽³⁾ [If multiple options are required, please use the on-line CAD configurator on the website to generate the part number \(www.asco.com\).](http://www.asco.com)

⁽⁴⁾ Compressed air must be dry enough so no ice formation is present on the product.

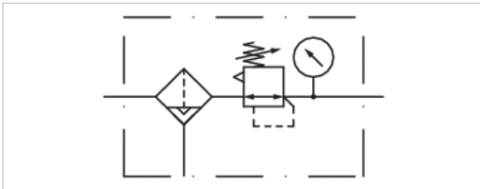
Filter pressure regulator, Series 651

- G 1/8 G 1/4
- filter porosity 5 25 µm
- With integrated pressure gauge



Brand	ASCO Numatics
Version	1-part
Parts	Filter pressure regulator
Working pressure min./max.	0 ... 16 bar
Ambient temperature min./max.	-20 ... 50 °C
Medium temperature min./max.	-20 ... 50 °C
	Extended temperature range min./max. (optional) -40 °C ... 80 °C
Medium	Compressed air Neutral gases
Adjustment range min./max.	0.5 ... 10 bar
Hysteresis	0.3 bar
Weight	See table below

The delivered product varies from that in the illustration. See the drawing for an exact description.



Technical data

Part No.	Port	filter porosity	Flow	Condensate drain
			Qn	
G651APBK1GA00HN	G 1/8	5 µm	710 l/min	semi-automatic, open without pressure
G651APBK2GA00HN	G 1/4	5 µm	2240 l/min	semi-automatic, open without pressure
G651APJK1GA00HN	G 1/8	25 µm	730 l/min	semi-automatic, open without pressure
G651APBK1GA00HA	G 1/8	5 µm	710 l/min	fully automatic, open without pressure
G651APBL1GA00HA	G 1/8	5 µm	710 l/min	fully automatic, open without pressure
G651APJK1GA00HA	G 1/8	25 µm	730 l/min	fully automatic, open without pressure
G651APBL1GA00HN	G 1/8	5 µm	710 l/min	semi-automatic, open without pressure
G651APBL2GA00HA	G 1/4	5 µm	2240 l/min	fully automatic, open without pressure
G651APJL1GA00HA	G 1/8	25 µm	730 l/min	fully automatic, open without pressure
G651APBK2GA00HA	G 1/4	5 µm	2240 l/min	fully automatic, open without pressure
G651APBL2GA00HN	G 1/4	5 µm	2240 l/min	semi-automatic, open without pressure
G651APJK2GA00HN	G 1/4	25 µm	2360 l/min	semi-automatic, open without pressure
G651APBP1GA00HA	G 1/8	5 µm	710 l/min	fully automatic, open without pressure
G651APJK2GA00HA	G 1/4	25 µm	2360 l/min	fully automatic, open without pressure
G651APBP1GA00HN	G 1/8	5 µm	710 l/min	semi-automatic, open without pressure
G651APBP2GA00HA	G 1/4	5 µm	2240 l/min	fully automatic, open without pressure
G651APBP2GA00HN	G 1/4	5 µm	2240 l/min	semi-automatic, open without pressure
G651APJL1GA00HN	G 1/8	25 µm	730 l/min	semi-automatic, open without pressure
G651APJL2GA00HA	G 1/4	25 µm	2360 l/min	fully automatic, open without pressure
G651APJL2GA00HN	G 1/4	25 µm	2360 l/min	semi-automatic, open without pressure
G651APJP1GA00HA	G 1/8	25 µm	730 l/min	fully automatic, open without pressure
G651APJP1GA00HN	G 1/8	25 µm	730 l/min	semi-automatic, open without pressure

Part No.	Port	filter porosity	Flow	Condensate drain
			Qn	
G651APJP2GA00HA	G 1/4	25 µm	2360 l/min	fully automatic, open without pressure
G651APJP2GA00HN	G 1/4	25 µm	2360 l/min	semi-automatic, open without pressure

Part No.	Pressure gauge
G651APBK1GA00HN	With integrated pressure gauge
G651APBK2GA00HN	With integrated pressure gauge
G651APJK1GA00HN	With integrated pressure gauge
G651APBK1GA00HA	With integrated pressure gauge
G651APBL1GA00HA	With integrated pressure gauge
G651APJK1GA00HA	With integrated pressure gauge
G651APBL1GA00HN	With integrated pressure gauge
G651APBL2GA00HA	With integrated pressure gauge
G651APJL1GA00HA	With integrated pressure gauge
G651APBK2GA00HA	With integrated pressure gauge
G651APBL2GA00HN	With integrated pressure gauge
G651APJK2GA00HN	With integrated pressure gauge
G651APBP1GA00HA	With integrated pressure gauge
G651APJK2GA00HA	With integrated pressure gauge
G651APBP1GA00HN	With integrated pressure gauge
G651APBP2GA00HA	With integrated pressure gauge
G651APBP2GA00HN	With integrated pressure gauge
G651APJL1GA00HN	With integrated pressure gauge
G651APJL2GA00HA	With integrated pressure gauge
G651APJL2GA00HN	With integrated pressure gauge
G651APJP1GA00HA	With integrated pressure gauge
G651APJP1GA00HN	With integrated pressure gauge
G651APJP2GA00HA	With integrated pressure gauge
G651APJP2GA00HN	With integrated pressure gauge

Part No.	Material Reservoir	Material Condensate drain	Weight
G651APBK1GA00HN	Metal reservoir without window	Plastic	0.45 kg
G651APBK2GA00HN	Metal reservoir without window	Plastic	0.45 kg
G651APJK1GA00HN	Metal reservoir without window	Plastic	0.45 kg
G651APBK1GA00HA	Metal reservoir without window	Brass	0.45 kg
G651APBL1GA00HA	reservoir, metal, with inspection glass	Brass	0.45 kg
G651APJK1GA00HA	Metal reservoir without window	Brass	0.45 kg
G651APBL1GA00HN	reservoir, metal, with inspection glass	Plastic	0.45 kg
G651APBL2GA00HA	reservoir, metal, with inspection glass	Brass	0.45 kg
G651APJL1GA00HA	reservoir, metal, with inspection glass	Brass	0.45 kg
G651APBK2GA00HA	Metal reservoir without window	Brass	0.45 kg
G651APBL2GA00HN	reservoir, metal, with inspection glass	Plastic	0.45 kg
G651APJK2GA00HN	Metal reservoir without window	Plastic	0.45 kg
G651APBP1GA00HA	Reservoir polycarbonate	Brass	0.3 kg
G651APJK2GA00HA	Metal reservoir without window	Brass	0.45 kg
G651APBP1GA00HN	Reservoir polycarbonate	Plastic	0.3 kg
G651APBP2GA00HA	Reservoir polycarbonate	Brass	0.3 kg
G651APBP2GA00HN	Reservoir polycarbonate	Plastic	0.3 kg

Part No.	Material Reservoir	Material Condensate drain	Weight
G651APJL1GA00HN	reservoir, metal, with inspection glass	Plastic	0.45 kg
G651APJL2GA00HA	reservoir, metal, with inspection glass	Brass	0.45 kg
G651APJL2GA00HN	reservoir, metal, with inspection glass	Plastic	0.45 kg
G651APJP1GA00HA	Reservoir polycarbonate	Brass	0.3 kg
G651APJP1GA00HN	Reservoir polycarbonate	Plastic	0.3 kg
G651APJP2GA00HA	Reservoir polycarbonate	Brass	0.3 kg
G651APJP2GA00HN	Reservoir polycarbonate	Plastic	0.3 kg

Nominal flow Q_n at $p_1 = 10$ bar , $p_2 = 6.3$ bar and $\Delta p = 1$ bar

Technical information

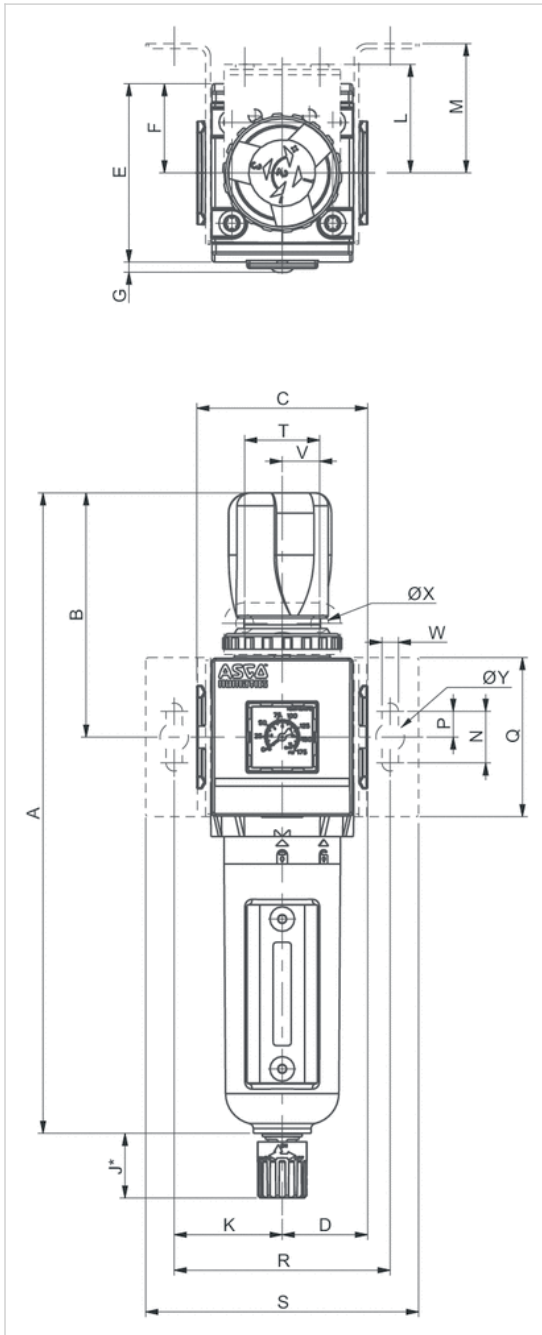
Max. achievable compressed air class acc. to ISO 8573-1:2010 5 : 8 : 4 (5 μ m filter porosity) und 6 : 8 : 4 (25 μ m filter porosity)
Other filter porosities on request.

Technical information

Material	
Housing	Aluminum
Front plate	Polyamide
Seals	Nitrile butadiene rubber
Filter insert	Sintered bronze
Condensate drain	Plastic Brass

Dimensions

Dimensions



To remove the reservoir, allow a clearance of 60 mm from the bottom of the reservoir drain.

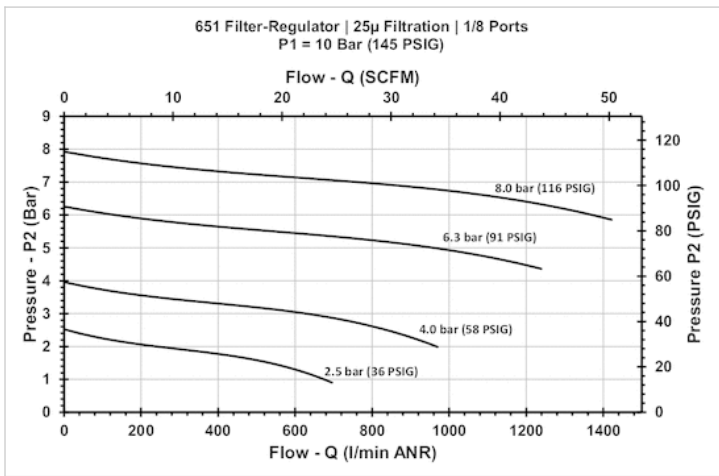
*Variable dimension based on the type of drain specified, if an automatic drain is specified, add another 5 mm to the "J" dimension.

Dimensions

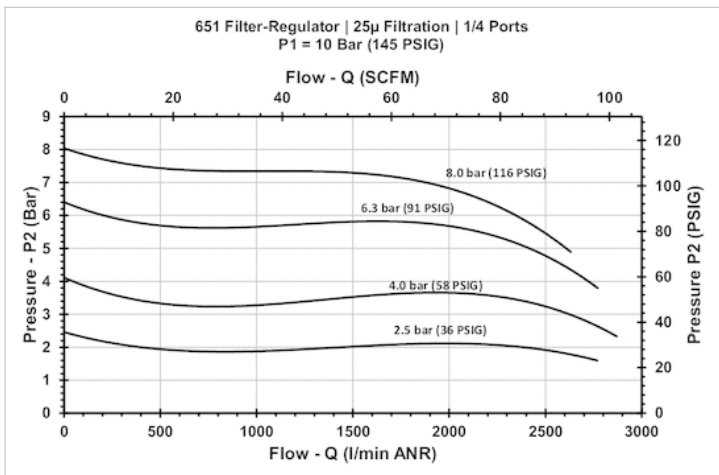
Series	A	B	C	D	E	F	G	H	J	K	L	M	N	P	Q	R	S	T	V	W	X	Y
651	215,5	77,5	50	25	58	29	3,4	116	25	35	42	44,5	20	10	50	70	92	29	14,5	6,3	7	11

Diagrams

Flow diagram, G 1/8

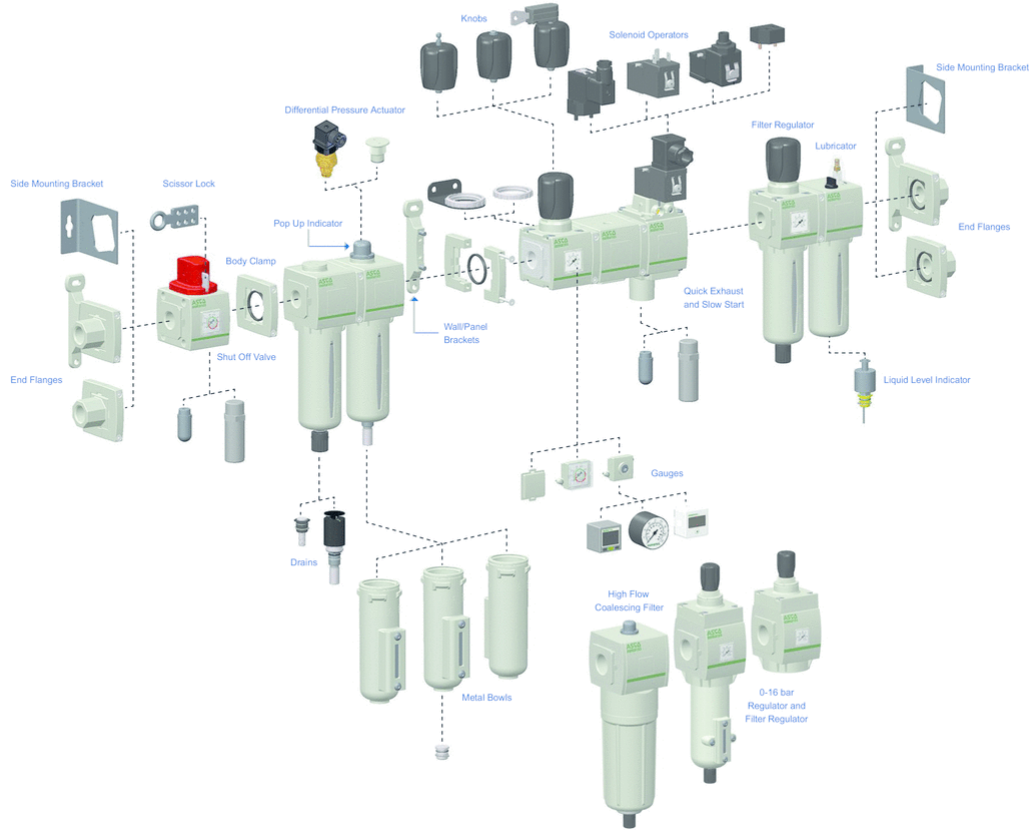


Flow diagram, G 1/4



Accessories overview

Accessories overview



Ordering information

G 651 A P B P 2 G A00 H N



Thread connection
 G = ISO 228/1-G ⁽¹⁾
 8 = NPTF

Product series
 651
 652
 653

Revision letter
 A

Product type
 P = Filter/Regulator - Particulate

Elements
 B = 5 µm (White)
 J = 25 µm (Yellow)





Bowl type
 K = Metal bowl without sight gauge
 L = Metal bowl with sight gauge (glass)
 P = Polycarbonate bowl with bowl guard


Port size
 1 = 1/8 (651 Series)
 2 = 1/4 (651 or 652 Series)
 3 = 3/8 (652 Series)
 4 = 1/2 (652 Series)
 5 = 3/4 (653 Series)
 6 = 1 (653 Series)

Gauge type
 B = Digital pressure switch - PNP
 C = Digital pressure switch - NPN
 D = Digital gauge
 G = Low profile integrated gauge bar/PSI
 J = Low profile integrated gauge bar/PSI with pressure range indicators
 Q = Round gauge bar/PSI
 0 = No gauge port
 P = Port Plate Rc 1/8


B/C



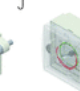
D




G



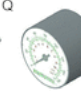
J




P






Q



0

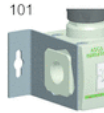


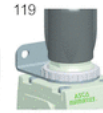


Drain type
 0 = Without
 A = Auto drain normally open
 N = Manual/Semi-automatic drain
 Q = Manual drain - Stainless steel






Pressure range
 D = 0,2..3 bar
 H = 0,5..10 bar
 N = 0,5..16 bar (653 only) ⁽²⁾

Options ⁽³⁾
 A00 = Without option
 101 = Side Mounting Brackets
 102 = Panel Nut (651 or 652)
 103 = Tamper resistant
 104 = Key lockable
 105 = High temperature (+80°C)
 106 = Low temperature (-40°C) ⁽⁴⁾
 109 = FPM seals
 113 = Stainless steel fasteners
 114 = Provision for key lock
 117 = ATEX zones 1-21 ⚠
 119 = Panel Bracket with Panel Nut (651 or 652)
 121 = Non-relieving
 123 = Gauge type mounted for right-to-left flow
 124 = CUTR Certification (EAC)
 125 = CUTR Ex
 202 = 105 + 109
 2A9 = 105 + 106

123

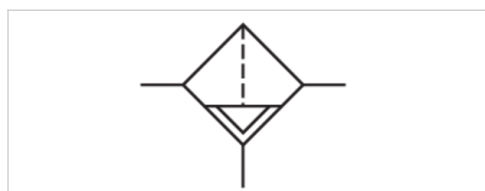


⁽¹⁾ Conforms to ISO standards 1179-1.
⁽²⁾ Metal Bowl Types K or L only.
⁽³⁾ If multiple options are required, please use the on-line CAD configurator on the website to generate the part number (www.asco.com).
⁽⁴⁾ Compressed air must be dry enough so no ice formation is present on the product. All bowls should be emptied prior to ambient temperatures dropping below 0°C.

Filter, Series 651

- G 1/4 G 1/8

- filter porosity 5 25 µm



Brand	ASCO Numatics
Version	Can be assembled into blocks
Parts	Filter
Working pressure min./max.	0 ... 16 bar
Ambient temperature min./max.	-20 ... 50 °C
Medium temperature min./max.	-20 ... 50 °C
	Extended temperature range min./max. (optional) -40 °C ... 80 °C
Medium	Compressed air Neutral gases
Condensate drain	See table below
Weight	See table below
	The delivered product varies from that in the illustration. See the drawing for an exact description.

Technical data

Part No.	Port	filter porosity	Flow Qn	Condensate drain
G651ABBL2JA000N	G 1/4	5 µm	1250 l/min	semi-automatic, open without pressure
G651ABBP1JA000A	G 1/8	5 µm	885 l/min	fully automatic, open without pressure
G651ABJP1JA000A	G 1/8	25 µm	920 l/min	fully automatic, open without pressure
G651ABBK1JA000N	G 1/8	5 µm	885 l/min	semi-automatic, open without pressure
G651ABBP1JA000N	G 1/8	5 µm	885 l/min	semi-automatic, open without pressure
G651ABJK1JA000N	G 1/8	25 µm	920 l/min	semi-automatic, open without pressure
G651ABBK1JA000A	G 1/8	5 µm	885 l/min	fully automatic, open without pressure
G651ABBP2JA000A	G 1/4	5 µm	1250 l/min	fully automatic, open without pressure
G651ABJK1JA000A	G 1/8	25 µm	920 l/min	fully automatic, open without pressure
G651ABBL1JA000N	G 1/8	5 µm	885 l/min	semi-automatic, open without pressure
G651ABBP2JA000N	G 1/4	5 µm	1250 l/min	semi-automatic, open without pressure
G651ABJL1JA000A	G 1/8	25 µm	920 l/min	fully automatic, open without pressure
G651ABBL1JA000A	G 1/8	5 µm	885 l/min	fully automatic, open without pressure
G651ABJK2JA000N	G 1/4	25 µm	1410 l/min	semi-automatic, open without pressure
G651ABJL1JA000N	G 1/8	25 µm	920 l/min	semi-automatic, open without pressure
G651ABBK2JA000N	G 1/4	5 µm	1410 l/min	semi-automatic, open without pressure
G651ABJK2JA000A	G 1/4	25 µm	1410 l/min	fully automatic, open without pressure
G651ABJL2JA000A	G 1/4	25 µm	1410 l/min	fully automatic, open without pressure
G651ABBK2JA000A	G 1/4	5 µm	1410 l/min	fully automatic, open without pressure
G651ABJL2JA000N	G 1/4	25 µm	1410 l/min	semi-automatic, open without pressure
G651ABBL2JA000A	G 1/4	5 µm	1410 l/min	fully automatic, open without pressure
G651ABJP1JA000N	G 1/8	25 µm	920 l/min	semi-automatic, open without pressure
G651ABJP2JA000A	G 1/4	25 µm	1410 l/min	fully automatic, open without pressure

Part No.	Port	filter porosity	Flow Qn	Condensate drain
G651ABJP2JA000N	G 1/4	25 µm	1410 l/min	semi-automatic, open without pressure

Part No.	Material	Condensate drain	Version
G651ABBL2JA000N	Plastic		reservoir, metal, with inspection glass
G651ABBP1JA000A	Brass		reservoir, PA, with PA protective guard
G651ABJP1JA000A	Brass		reservoir, PA, with PA protective guard
G651ABBK1JA000N	Plastic		reservoir, metal, standard, without inspection glass
G651ABBP1JA000N	Plastic		reservoir, PA, with PA protective guard
G651ABJK1JA000N	Plastic		reservoir, metal, standard, without inspection glass
G651ABBK1JA000A	Brass		reservoir, metal, standard, without inspection glass
G651ABBP2JA000A	Brass		reservoir, PA, with PA protective guard
G651ABJK1JA000A	Brass		reservoir, metal, standard, without inspection glass
G651ABBL1JA000N	Plastic		reservoir, metal, with inspection glass
G651ABBP2JA000N	Plastic		reservoir, PA, with PA protective guard
G651ABJL1JA000A	Brass		reservoir, metal, with inspection glass
G651ABBL1JA000A	Brass		reservoir, metal, with inspection glass
G651ABJK2JA000N	Plastic		reservoir, metal, standard, without inspection glass
G651ABJL1JA000N	Plastic		reservoir, metal, with inspection glass
G651ABBK2JA000N	Plastic		reservoir, metal, standard, without inspection glass
G651ABJK2JA000A	Brass		reservoir, metal, standard, without inspection glass
G651ABJL2JA000A	Brass		reservoir, metal, with inspection glass
G651ABBK2JA000A	Brass		reservoir, metal, standard, without inspection glass
G651ABJL2JA000N	Plastic		reservoir, metal, with inspection glass
G651ABBL2JA000A	Brass		reservoir, metal, with inspection glass
G651ABJP1JA000N	Plastic		reservoir, PA, with PA protective guard
G651ABJP2JA000A	Brass		reservoir, PA, with PA protective guard
G651ABJP2JA000N	Plastic		reservoir, PA, with PA protective guard

Part No.	Weight
G651ABBL2JA000N	0.38 kg
G651ABBP1JA000A	0.25 kg
G651ABJP1JA000A	0.25 kg
G651ABBK1JA000N	0.38 kg
G651ABBP1JA000N	0.25 kg
G651ABJK1JA000N	0.38 kg
G651ABBK1JA000A	0.38 kg
G651ABBP2JA000A	0.25 kg
G651ABJK1JA000A	0.38 kg
G651ABBL1JA000N	0.38 kg
G651ABBP2JA000N	0.25 kg
G651ABJL1JA000A	0.38 kg
G651ABBL1JA000A	0.38 kg
G651ABJK2JA000N	0.38 kg
G651ABJL1JA000N	0.38 kg
G651ABBK2JA000N	0.38 kg
G651ABJK2JA000A	0.38 kg
G651ABJL2JA000A	0.38 kg

Part No.	Weight
G651ABBK2JA000A	0.38 kg
G651ABJL2JA000N	0.38 kg
G651ABBL2JA000A	0.38 kg
G651ABJP1JA000N	0.25 kg
G651ABJP2JA000A	0.25 kg
G651ABJP2JA000N	0.25 kg

Nominal flow Qn at p1= 10 bar , p2= 6.3 bar and $\Delta p = 1$ bar

Technical information

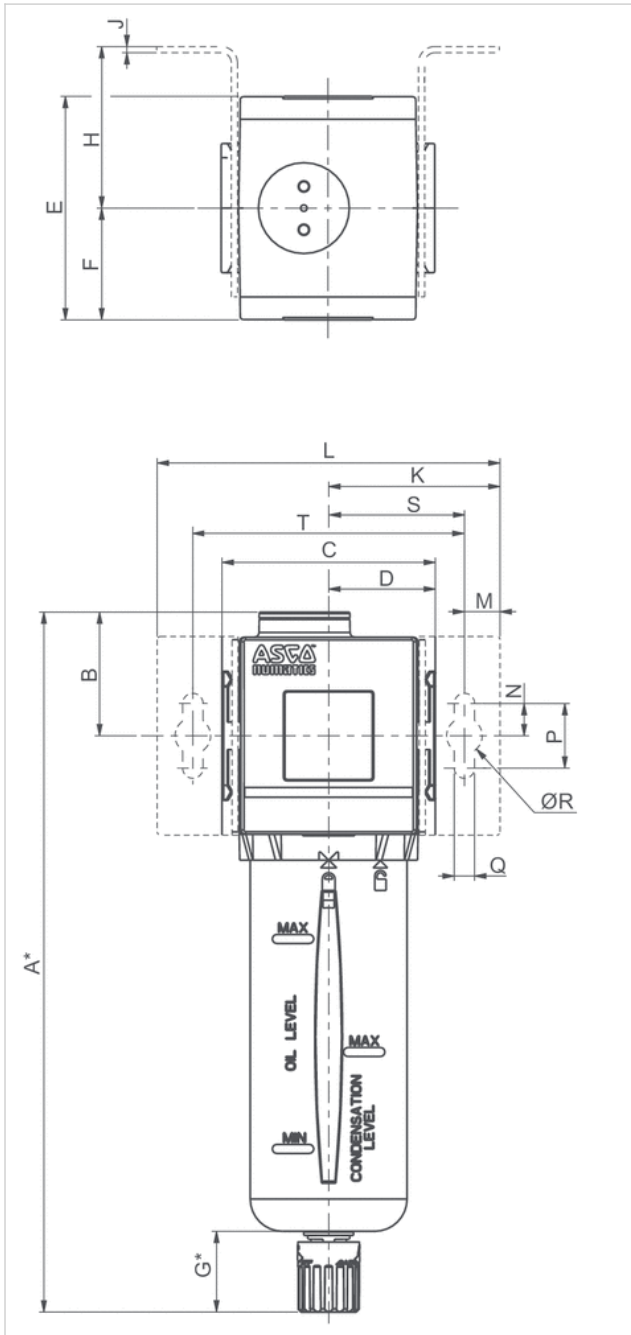
Max. achievable compressed air class acc. to ISO 8573-1:2010 5 : 8 : 4 (5 μm filter porosity) und 6 : 8 : 4 (25 μm filter porosity)
Other filter porosities on request.

Technical information

Material	
Housing	Aluminum
Seals	Nitrile butadiene rubber
Filter insert	Sintered polyethylene
Condensate drain	Plastic Brass

Dimensions

Dimensions



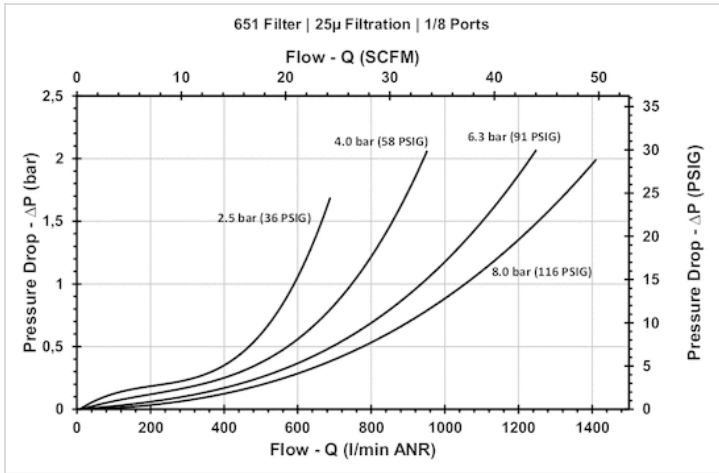
*Variable dimension based on the type of drain specified, if an automatic drain is specified, add another 5 mm to the “G” dimension, which also adds 5 mm to the “A” dimension.

Dimensions

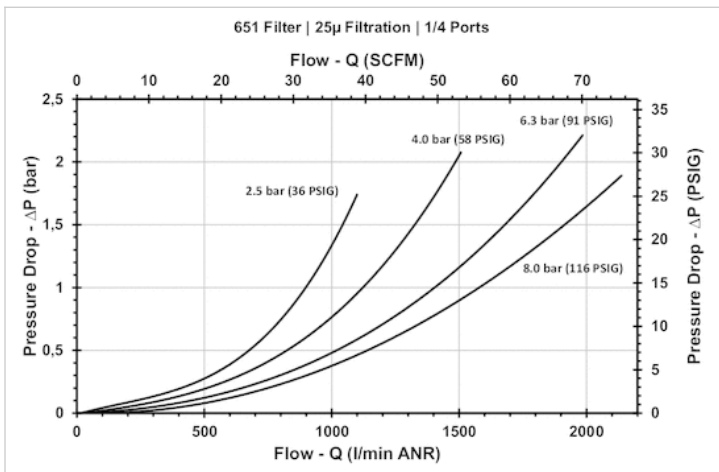
Series	A	B	C	D	E	F	G	H	J	K	L	M	N	P	Q	R	S	T
651	197	33,8	50	25	58	29	25	44,5	1,27	46	92	11	10	20	6,3	11	35	70

Diagrams

Flow diagram, G 1/8

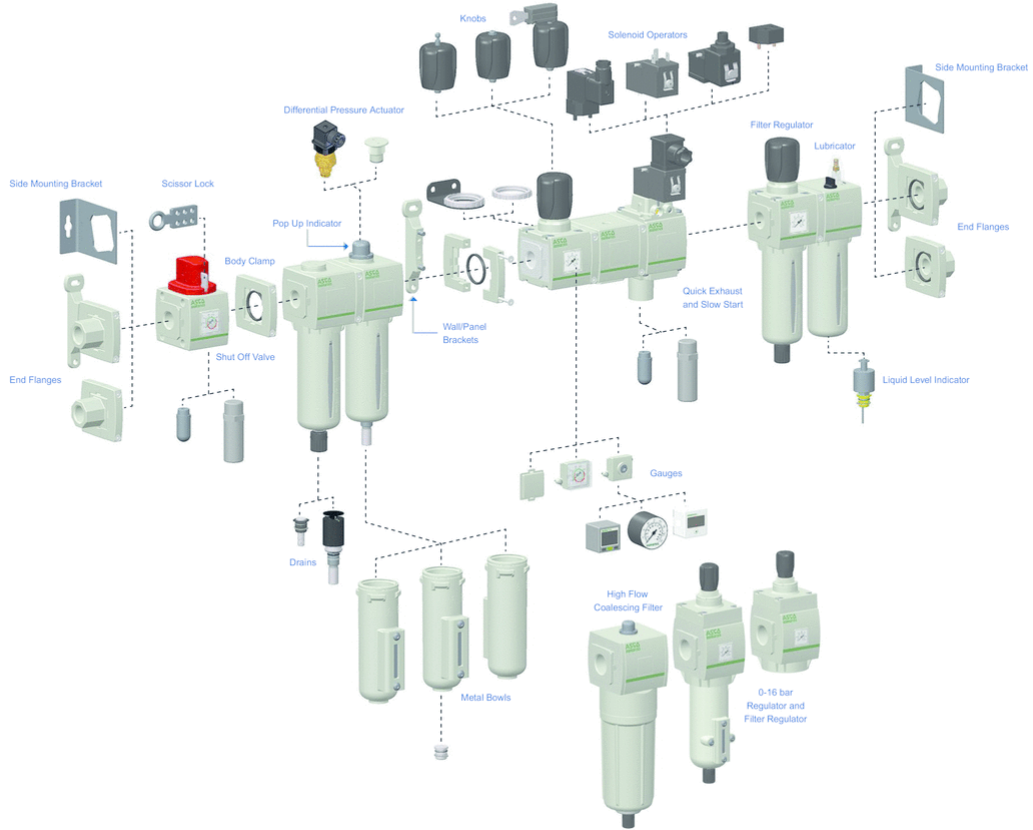


Flow diagram, G 1/4



Accessories overview

Accessories overview



Ordering information

G 651 A B B P 2 J A00 0 N

Thread connection

G = ISO 228/1-G ⁽¹⁾
 8 = NPTF

Product series

651
 652
 653

Revision letter

A


Product type

B = Filter - Particulate


Elements

B = 5 µm (White)
 J = 25 µm (Yellow)

B




J




Bowl type

K = Metal bowl without sight gauge
 L = Metal bowl with sight gauge (glass)
 P = Polycarbonate bowl with bowl guard

K/L




P




Drain type

0 = Without
 A = Auto drain normally open
 N = Manual/Semi-automatic drain
 Q = Manual drain - Stainless steel


A




N




Q



Options ⁽²⁾

A00 = Without option
 101 = Side Mounting Brackets
 105 = High temperature (+80°C)
 106 = Low temperature (-40°C) ⁽³⁾
 109 = FPM seals
 117 = ATEX zones 1-21 
 124 = CUTR Certification (EAC)
 125 = CUTR Ex
 202 = 105 + 109
 2A9 = 105 + 106

101



Port size

1 = 1/8 (651 Series)
 2 = 1/4 (651 or 652 Series)
 3 = 3/8 (652 Series)
 4 = 1/2 (652 Series)
 5 = 3/4 (653 Series)
 6 = 1 (653 Series)

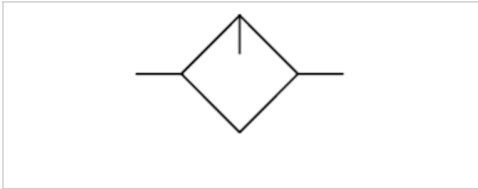
Standard oil-mist lubricator, Series 651

- G 1/8 G 1/4



Brand	ASCO Numatics
Version	Can be assembled into blocks
Parts	Standard oil-mist lubricator
Working pressure min./max.	0 ... 10 bar
Ambient temperature min./max.	5 ... 50 °C
Medium temperature min./max.	5 ... 50 °C
Medium	Compressed air Neutral gases
Lubricator reservoir volume	42 cm ³
Weight	See table below

The delivered product varies from that in the illustration. See the drawing for an exact description.



Technical data

Part No.	Port	Nominal flow Q _n	Material Reservoir	Reservoir
G651AL0K10A0000	G 1/8	900 l/min	Aluminum	Metal reservoir without window
G651AL0L10A0000	G 1/8	900 l/min	Aluminum	reservoir, metal, with inspection glass
G651AL0K20A0000	G 1/4	1940 l/min	Aluminum	Metal reservoir without window
G651AL0L20A0000	G 1/4	1940 l/min	Aluminum	reservoir, metal, with inspection glass
G651AL0P10A0000	G 1/8	900 l/min	Polycarbonate	Reservoir polycarbonate
G651AL0P20A0000	G 1/4	1940 l/min	Polycarbonate	Reservoir polycarbonate

Part No.	Weight
G651AL0K10A0000	0.33 kg
G651AL0L10A0000	0.33 kg
G651AL0K20A0000	0.33 kg
G651AL0L20A0000	0.33 kg
G651AL0P10A0000	0.24 kg
G651AL0P20A0000	0.24 kg

Nominal flow Q_n at 6.3 bar and Δp = 0.8 bar

Technical information

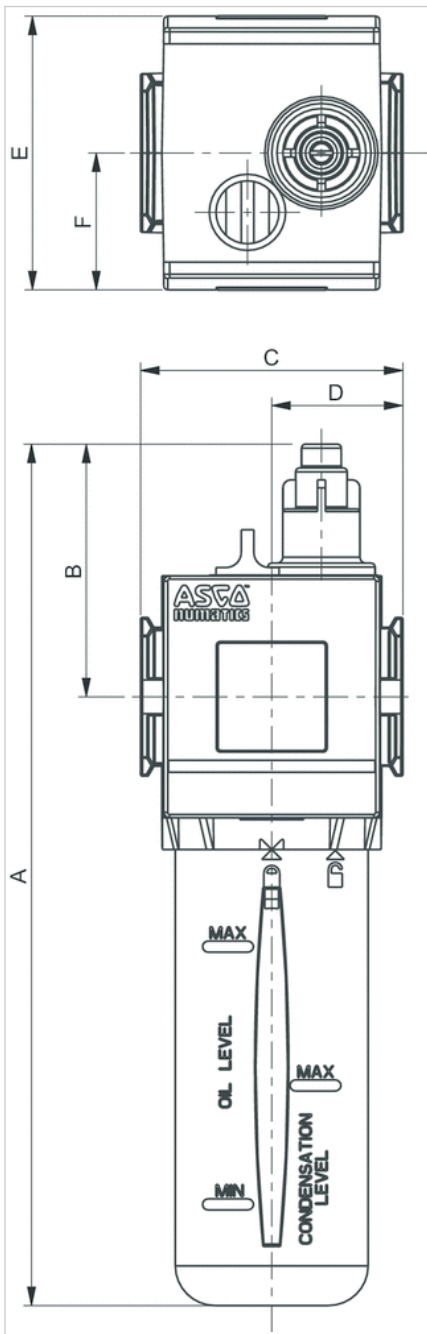
Recommended oil type
Non-detergent type and without aggressive additives (VG32-ISO3448)

Technical information

Material	
Housing	Aluminum
Front plate	Polycarbonate
Seals	Nitrile butadiene rubber
Reservoir	Aluminum Polycarbonate

Dimensions

Dimensions



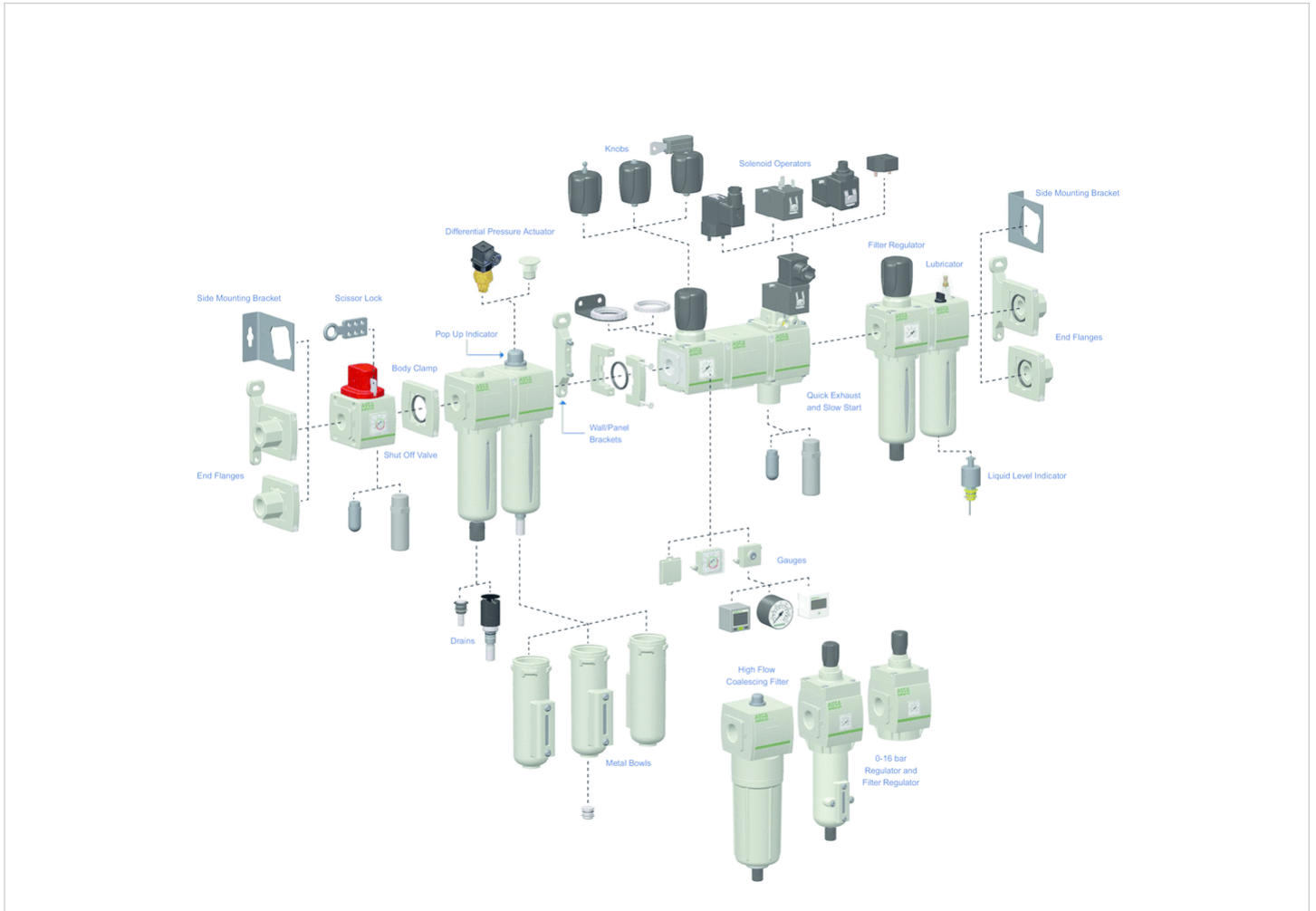
To remove the reservoir, allow a clearance of 20 mm from the bottom of the reservoir drain.

Dimensions

Series	A	B	C	D	E	F	G
651	198	58	50	25	58	29	116

Accessories overview

Accessories overview



Ordering information

G 651 A L 0 P 2 0 A00 0 0

Thread connection
 G = ISO 228/1-G ⁽¹⁾
 8 = NPTF

Product series
 651
 652
 653

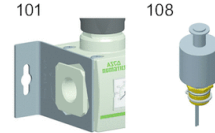
Revision letter
 A

Product type
 L = Lubricator

Bowl Type
 K = Metal Bowl without Sight Gauge
 L = Metal bowl with sight gauge (glass)
 P = Polycarbonate bowl with bowl guard



Options ⁽²⁾
 A00 = Without option
 101 = Side Mounting Brackets
 108 = Liquid Level Indicator - Electronic
 109 = FPM seals
 117 = ATEX zones 1-21 ⁽²⁾
 124 = CUTR Certification (EAC)
 125 = CUTR Ex



Port size
 1 = 1/8 (651 Series)
 2 = 1/4 (651 or 652 Series)
 3 = 3/8 (652 Series)
 4 = 1/2 (652 Series)
 5 = 3/4 (653 Series)
 6 = 1 (653 Series)

⁽¹⁾ Conforms to ISO standards 1179-1.

⁽²⁾ [If multiple options are required, please use the on-line CAD configurator on the website to generate the part number \(www.asco.com\).](http://www.asco.com)

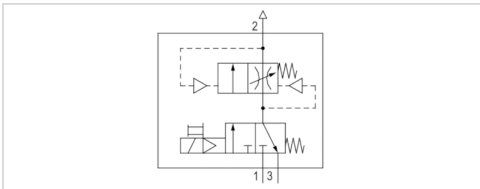
Filling unit, electrically operated, Series 651

- Compressed air connection G 1/8 G 1/4
- Pipe connection



Brand	ASCO Numatics
Nominal flow 1 ► 2	See table below
Nominal flow 2 ► 3	See table below
Working pressure min./max.	3.8 ... 10 bar
Medium	Compressed air Neutral gases
Medium temperature min./max.	-10 ... 50 °C
Ambient temperature min./max.	-10 ... 50 °C
Weight	0.39 kg

The delivered product varies from that in the illustration. See the drawing for an exact description.



Technical data

Part No.	Compressed air connection input	Compressed air connection output	Port
G651A6S610A00F1	G 1/8	G 1/8	G 1/8
G651A6S620A00F1	G 1/4	G 1/4	G 1/4
G651A6S610A00FH	G 1/8	G 1/8	G 1/8
G651A6S620A00FH	G 1/4	G 1/4	G 1/4

Part No.	Operational voltage	Flow	
		Qn 1►2	Qn 2►3
G651A6S610A00F1	24 V DC	780 l/min	1040 l/min
G651A6S620A00F1	24 V DC	1000 l/min	1120 l/min
G651A6S610A00FH	230 V AC	780 l/min	1040 l/min
G651A6S620A00FH	230 V AC	1000 l/min	1120 l/min

Nominal flow Qn at 6.3 bar and $\Delta p = 1$ bar

Technical information

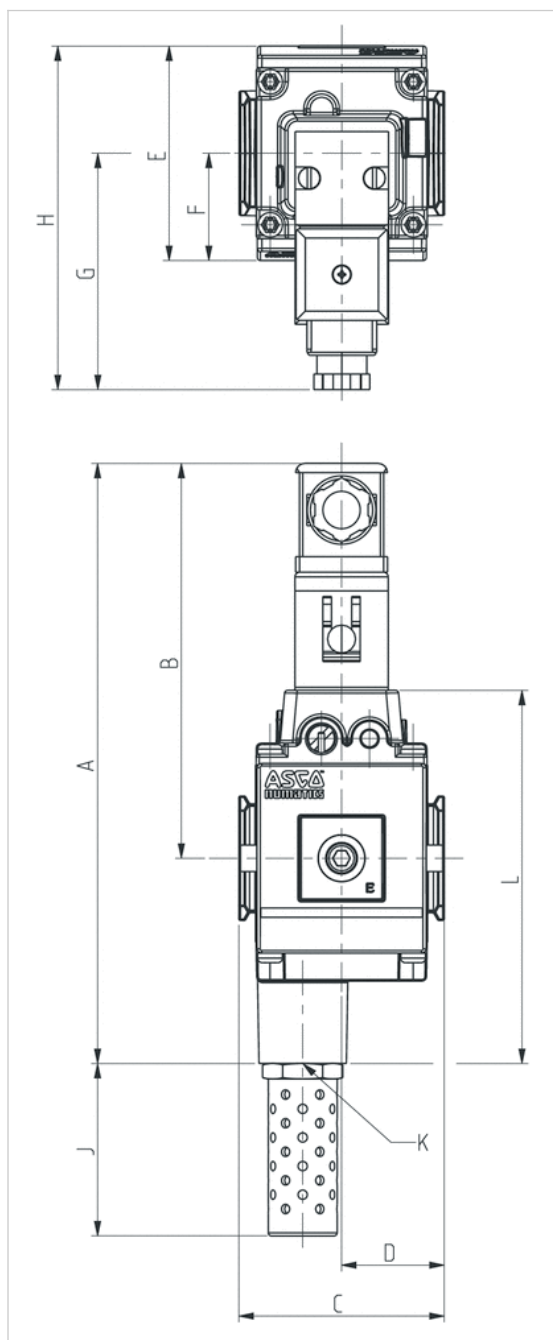
If P1 supply flow is restricted on valves with internal pilot supply, temporary leakage can occur.

Technical information

Material	
Housing	Aluminum
Seals	Nitrile butadiene rubber

Dimensions

Dimensions

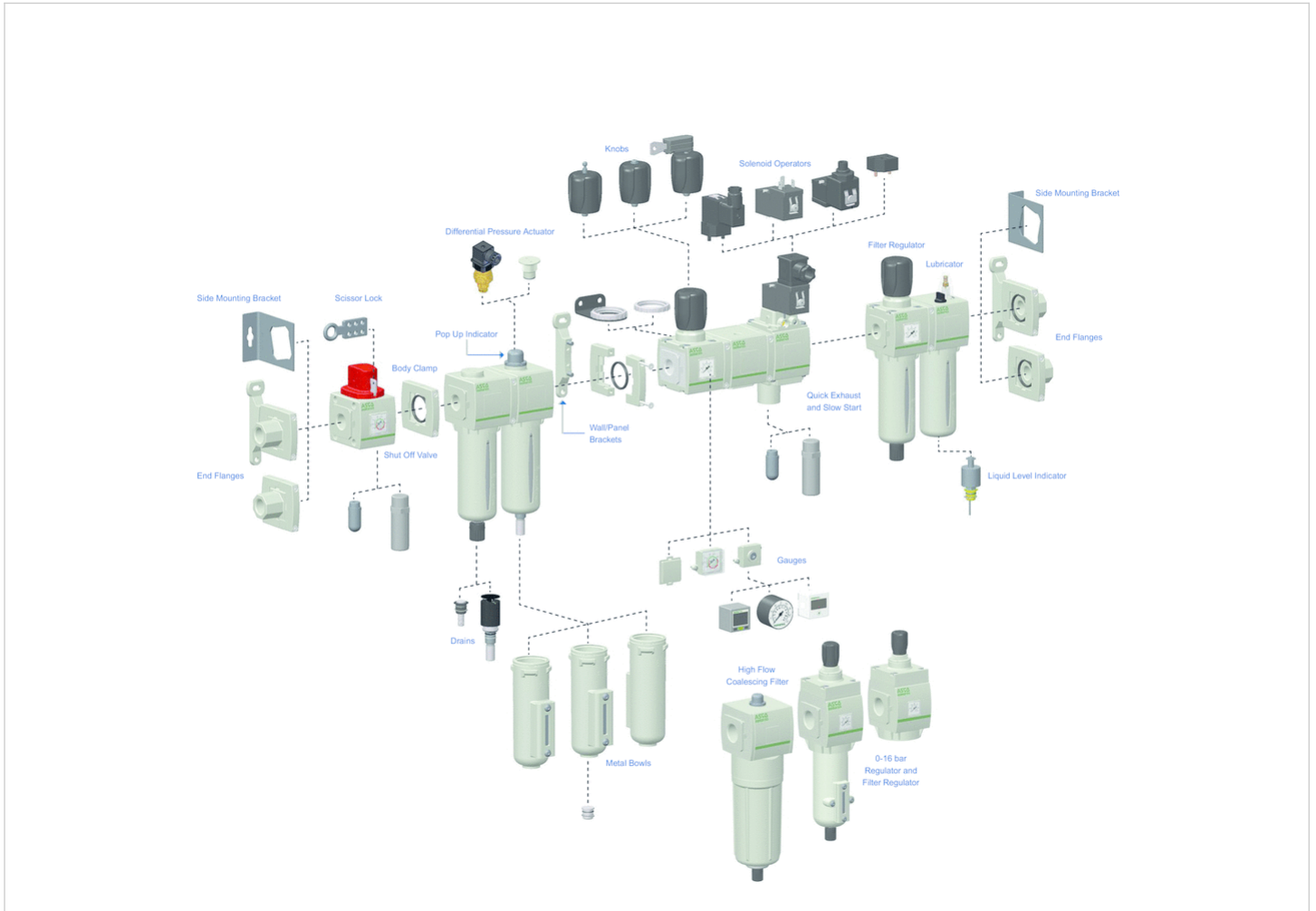


Dimensions

Series	A	B	C	D	E	F	G	H	J	K	L
651	170	116	50	25	58	29	72	101	34,5	G 1/4	97

Accessories overview

Accessories overview



Ordering information

G 651 A 6 S 6 2 G A00 F1

Thread connection

G = ISO 228/1-G ⁽¹⁾
 8 = NPTF

Product series

651
 652
 653

Revision letter

A

Product type

4 = 2/2 - Slow start
 5 = 3/2 - Quick exhaust
 6 = 3/2 - Slow start/Quick exhaust

Valve type

E = External air pilot
 P = Internal air pilot
 (Available on 2/2 Slow Start only)
 S = Solenoid air pilot

Pilot valve /Electrical connection

0 = No Electrical Connection
 1 = Vertical Solenoid Pilot, without DIN Connector
 (must order with option 110)
 2 = Vertical Solenoid Pilot, DIN Connector with LED
 (must order with option 110)
 3 = Vertical Solenoid Pilot, DIN Connector w/o LED
 (must order with option 110)
 4 = Vertical Solenoid Pilot, 3 Pin M12 Connection ⁽²⁾
 (must order with option 110)
 5 = Horizontal Solenoid Pilot, without DIN Connector
 6 = Horizontal Solenoid Pilot, DIN Connector with LED
 7 = Horizontal Solenoid Pilot, DIN Connector without LED
 8 = Horizontal Solenoid Pilot with 3 Pin M12 Connection ⁽²⁾
 9 = Without pilot operator

Port size



1 = 1/8 (651 Series)
 2 = 1/4 (651 or 652 Series)
 3 = 3/8 (652 Series)
 4 = 1/2 (652 Series)
 5 = 3/4 (653 Series)
 6 = 1 (653 Series)

Voltage

EW = 115 50/60 VAC
 F1 = 24 VDC
 FQ = 24 50/60 VAC
 FH = 230 50/60 VAC (651 or 652)
 F8 = 230/50 VAC (653 only)
 DE = 230/60 VAC (653 only)
 00 = No voltage





Options ⁽³⁾


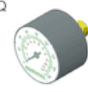

A00 = Without option
 101 = Side Mounting Brackets
 109 = FPM seals
 110 = Without manual operator
 111 = Metal Muffler
 112 = Polyethylene Muffler
 113 = Stainless steel fasteners
 117 = ATEX zones 1/21 ⁽⁴⁾
 122 = Inverter Mounting
 123 = Gauge type mounted for right-to-left flow
 124 = CUTR Certification (EAC)
 125 = CUTR Ex
 201 = 110 + 111

Gauge type

B = Digital pressure switch - PNP
 C = Digital pressure switch - NPN
 D = Digital gauge
 G = Low profile integrated gauge bar/PSI
 J = Low profile integrated gauge bar/PSI with pressure range indicators
 Q = Round gauge bar/PSI
 0 = No gauge port
 P = Port Plate Rc 1/8

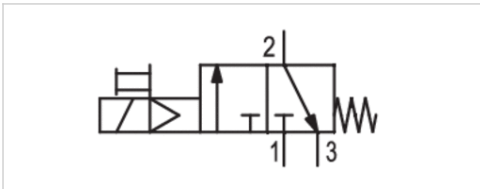
⁽¹⁾ Conforms to ISO standards 1179-1.
⁽²⁾ Available for DC voltage only.
⁽³⁾ If multiple options are required, please use the on-line CAD configurator on the website to generate the part number (www.asco.com).
⁽⁴⁾ Option 117 (ATEX 1-21) is available with Valve Type "E" or "P". For Valve Type "S" (Solenoid Pilot), please select "9" under the "Pilot Valve/Electrical Connection". Contact us for further information.

3/2-directional valve, electrically operated, Series 651

- Compressed air connection G 1/8 G 1/4
- Pipe connection



Brand	ASCO Numatics
Version	Poppet valve
Nominal flow 1 ► 2	See table below
Nominal flow 2 ► 3	See table below
Working pressure min./max.	3.8 ... 10 bar
Medium	Compressed air Neutral gases
Medium temperature min./max.	-10 ... 50 °C
Ambient temperature min./max.	-10 ... 50 °C
Weight	0.26 kg
	The delivered product varies from that in the illustration. See the drawing for an exact description.



Technical data

Part No.	Compressed air connection input	Compressed air connection output	Port
G651A5S610A00F1	G 1/8	G 1/8	G 1/8
G651A5S610A00FH	G 1/8	G 1/8	G 1/8
G651A5S620A00F1	G 1/4	G 1/4	G 1/4
G651A5S620A00FH	G 1/4	G 1/4	G 1/4

Part No.	Operational voltage	Flow	
		Qn 1►2	Qn 2►3
G651A5S610A00F1	24 V DC	780 l/min	1040 l/min
G651A5S610A00FH	230 V AC	780 l/min	1040 l/min
G651A5S620A00F1	24 V DC	1000 l/min	1120 l/min
G651A5S620A00FH	230 V AC	1000 l/min	1120 l/min

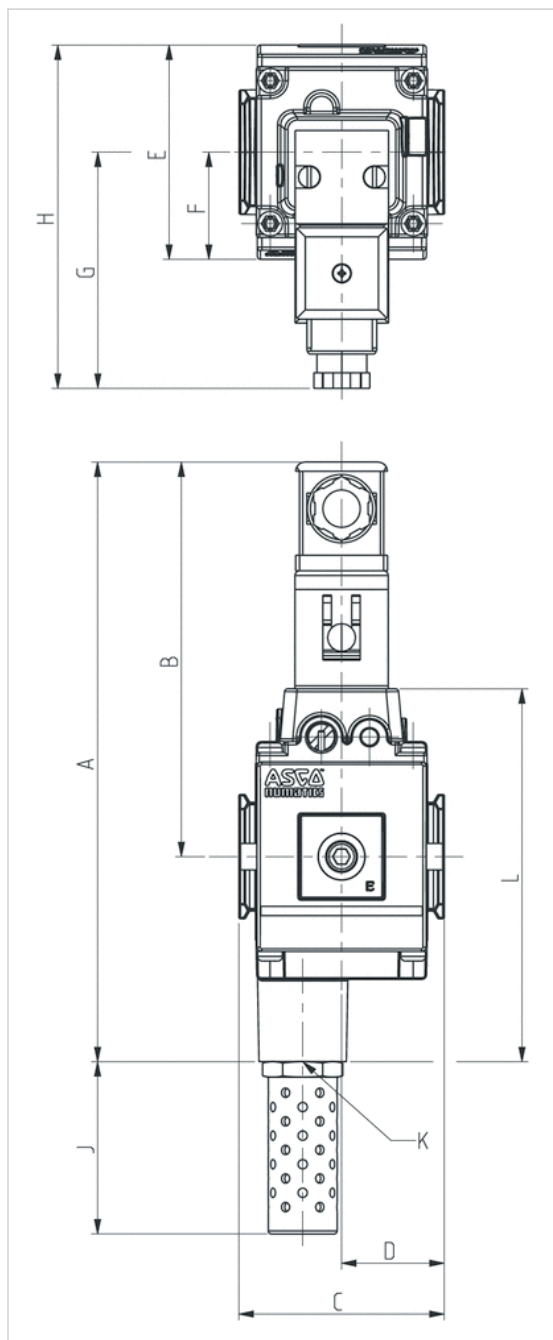
Nominal flow Qn at 6.3 bar and $\Delta p = 1$ bar

Technical information

Material	
Housing	Aluminum
Seals	Nitrile butadiene rubber

Dimensions

Dimensions

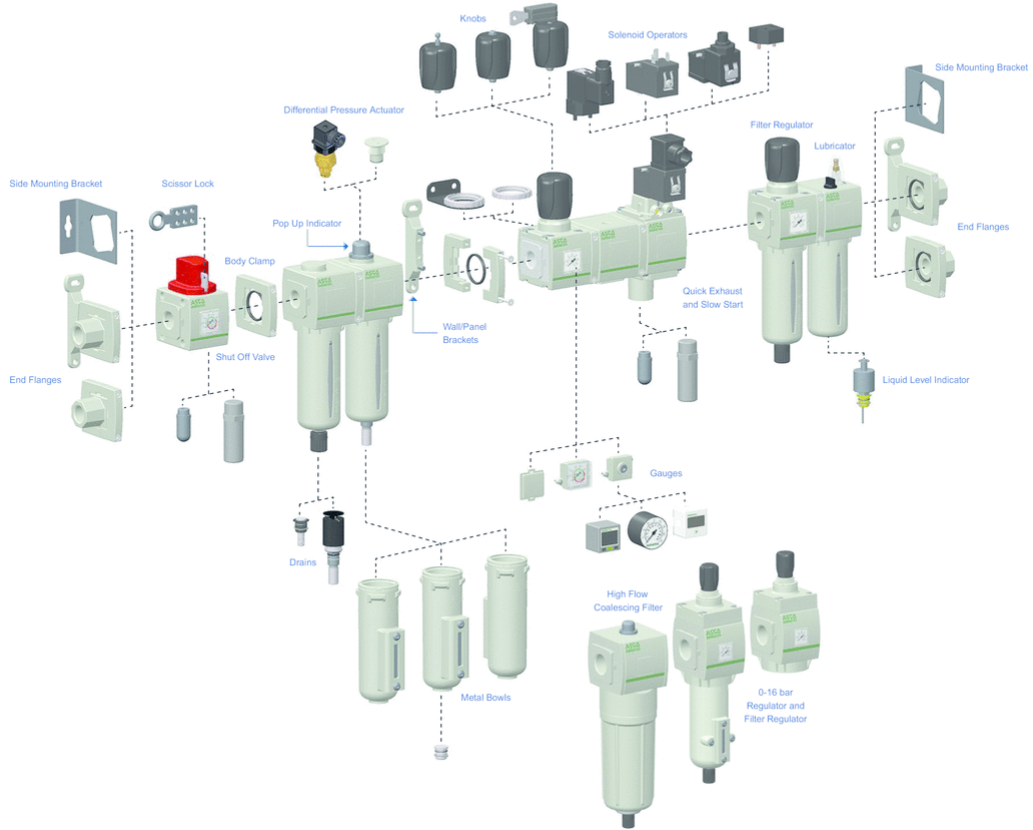


Dimensions

Series	A	B	C	D	E	F	G	H	J	K	L
651	170	116	50	25	58	29	72	101	34,5	G 1/4	97

Accessories overview

Accessories overview



Ordering information

G 651 A 6 S 6 2 G A00 F1

Thread connection

G = ISO 228/1-G ⁽¹⁾
 8 = NPTF

Product series

651
 652
 653

Revision letter

A

Product type

4 = 2/2 - Slow start
 5 = 3/2 - Quick exhaust
 6 = 3/2 - Slow start/Quick exhaust

Valve type

E = External air pilot
 P = Internal air pilot
 (Available on 2/2 Slow Start only)
 S = Solenoid air pilot

Pilot valve /Electrical connection

0 = No Electrical Connection
 1 = Vertical Solenoid Pilot, without DIN Connector
 (must order with option 110)
 2 = Vertical Solenoid Pilot, DIN Connector with LED
 (must order with option 110)
 3 = Vertical Solenoid Pilot, DIN Connector w/o LED
 (must order with option 110)
 4 = Vertical Solenoid Pilot, 3 Pin M12 Connection ⁽²⁾
 (must order with option 110)
 5 = Horizontal Solenoid Pilot, without DIN Connector
 6 = Horizontal Solenoid Pilot, DIN Connector with LED
 7 = Horizontal Solenoid Pilot, DIN Connector without LED
 8 = Horizontal Solenoid Pilot with 3 Pin M12 Connection ⁽²⁾
 9 = Without pilot operator

Port size



1 = 1/8 (651 Series)
 2 = 1/4 (651 or 652 Series)
 3 = 3/8 (652 Series)
 4 = 1/2 (652 Series)
 5 = 3/4 (653 Series)
 6 = 1 (653 Series)

Voltage

EW = 115 50/60 VAC
 F1 = 24 VDC
 FQ = 24 50/60 VAC
 FH = 230 50/60 VAC (651 or 652)
 F8 = 230/50 VAC (653 only)
 DE = 230/60 VAC (653 only)
 00 = No voltage





Options ⁽³⁾


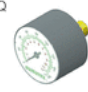

A00 = Without option
 101 = Side Mounting Brackets
 109 = FPM seals
 110 = Without manual operator
 111 = Metal Muffler
 112 = Polyethylene Muffler
 113 = Stainless steel fasteners
 117 = ATEX zones 1/21 ⁽⁴⁾
 122 = Inverter Mounting
 123 = Gauge type mounted for right-to-left flow
 124 = CUTR Certification (EAC)
 125 = CUTR Ex
 201 = 110 + 111

Gauge type

B = Digital pressure switch - PNP
 C = Digital pressure switch - NPN
 D = Digital gauge
 G = Low profile integrated gauge bar/PSI
 J = Low profile integrated gauge bar/PSI with pressure range indicators
 Q = Round gauge bar/PSI
 0 = No gauge port
 P = Port Plate Rc 1/8

⁽¹⁾ Conforms to ISO standards 1179-1.
⁽²⁾ Available for DC voltage only.
⁽³⁾ If multiple options are required, please use the on-line CAD configurator on the website to generate the part number (www.asco.com).
⁽⁴⁾ Option 117 (ATEX 1-21) is available with Valve Type "E" or "P". For Valve Type "S" (Solenoid Pilot), please select "9" under the "Pilot Valve/Electrical Connection. Contact us for further information.

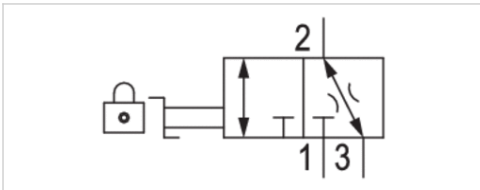
3/2-shut-off valve, mechanically operated, Series 651

- Qn 1►2 = 1440-4720 l/min
- Qn 2►3 = 250 l/min
- Pipe connection



Brand	ASCO Numatics
Activation	Mechanical
Working pressure min./max.	0 ... 16 bar
Ambient temperature min./max.	-10 ... 50 °C
Medium temperature min./max.	-10 ... 50 °C
Medium	Compressed air Neutral gases
Weight	0.26 kg

The delivered product varies from that in the illustration. See the drawing for an exact description.



Technical data

Part No.	Compressed air connection Input	Port	Flow	Flow	Material Silencer
			Qn 1 ► 2	Qn 2 ► 3	
G651A3M01011100	G 1/8	G 1/8	1440 l/min	250 l/min	metal
G651A3M01011200	G 1/8	G 1/8	1440 l/min	250 l/min	Plastic
G651A3M010A0000	G 1/8	G 1/8	1440 l/min	250 l/min	-
G651A3M02011100	G 1/4	G 1/4	4720 l/min	250 l/min	metal
G651A3M02011200	G 1/4	G 1/4	4720 l/min	250 l/min	Plastic
G651A3M020A0000	G 1/4	G 1/4	4720 l/min	250 l/min	-

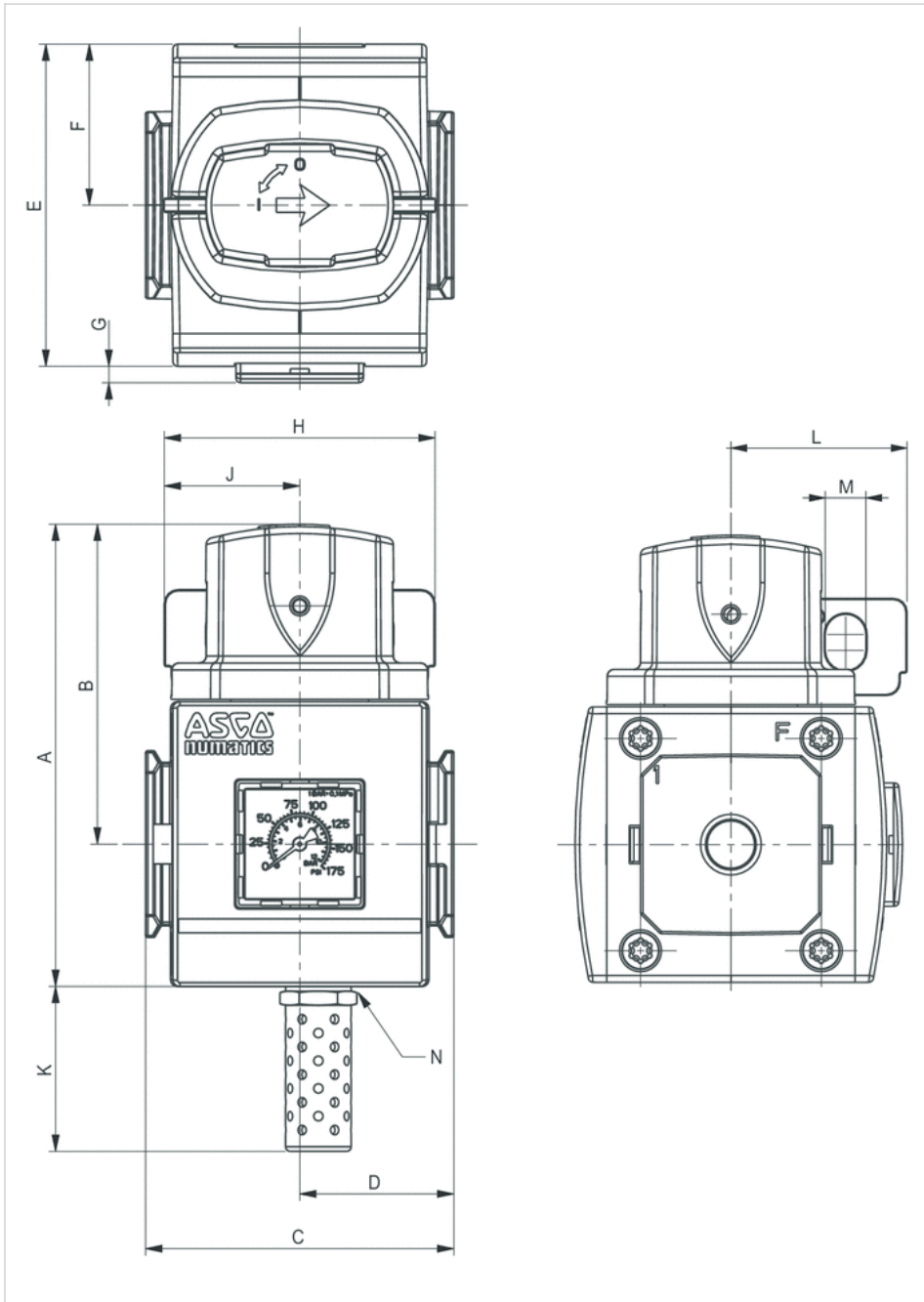
Nominal flow Qn at 6.3 bar and $\Delta p = 1$ bar

Technical information

Material	
Housing	Aluminum
Seals	Nitrile butadiene rubber

Dimensions

Dimensions

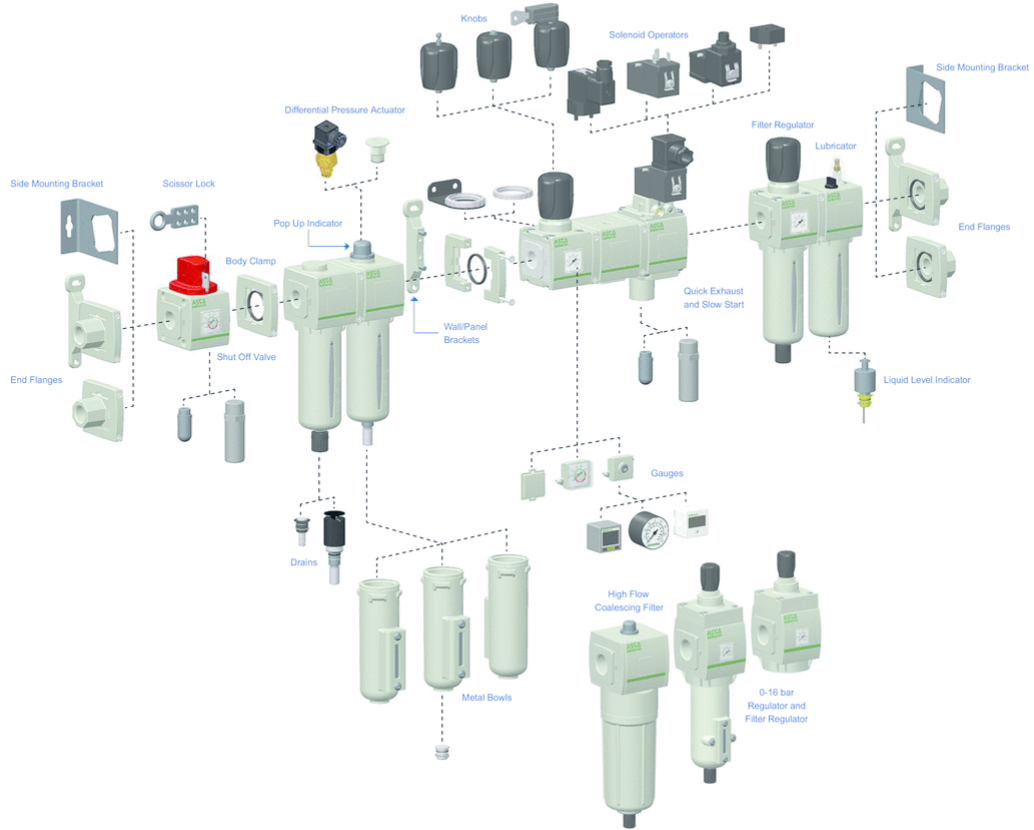


Dimensions

Series	A	B	C	D	E	F	G	H	J	K	L	M	N
651	90,5	65,5	50	25	58	29	4,4	57,8	28,9	35,5	38	9	G 1/4

Accessories overview

Accessories overview



Ordering information

G 651 A 3 M 0 2 G A00 00

Thread connection

G = ISO 228/1-G ⁽¹⁾
 8 = NPTF

Product series

651
 652
 653

Revision letter

A

Product type

2 = 2/2 - Shut Off Valve
 3 = 3/2 - Shut Off Valve

Valve Type

M = Manually Operated Ball Valve with Lockout

Pilot valve /Electrical connection

0 = No Electrical Connection

Port size

1 = 1/8 (651 Series)
 2 = 1/4 (651 or 652 Series)
 3 = 3/8 (652 Series)
 4 = 1/2 (652 Series)
 5 = 3/4 (653 Series)
 6 = 1 (653 Series)

⁽¹⁾ Conforms to ISO standards 1179-1.

⁽²⁾ [If multiple options are required, please use the on-line CAD configurator on the website to generate the part number \(www.asco.com\).](http://www.asco.com)

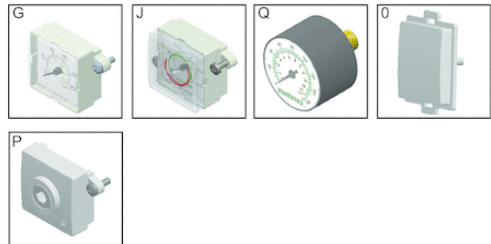
Options ⁽²⁾

A00 = Without option
 101 = Side Mounting Brackets
 109 = FPM seals
 111 = Metal Muffler
 112 = Polyethylene Muffler
 113 = Stainless steel fasteners
 115 = Scissor Lock
 117 = ATEX zones 1-21
 122 = Bottom oriented pressure adjustment
 123 = Gauge type mounted for right-to-left flow
 124 = CUTR Certification (EAC)
 125 = CUTR Ex
 2B9 = 111 + 115



Gauge type

G = Low profile integrated gauge bar/PSI
 J = Low profile integrated gauge bar/PSI with pressure range indicators
 Q = Round gauge bar/PSI
 0 = No gauge port
 P = Port Plate Rc 1/8



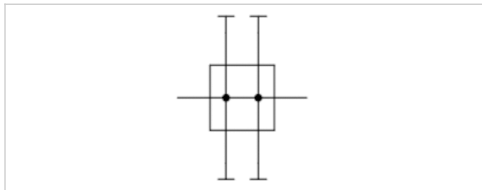
Distributor, Series 651

- G 1/4



Brand	ASCO Numatics
Parts	Distributor
Working pressure min./max.	0 ... 16 bar
Ambient temperature min./max.	-40 ... 80 °C
Medium temperature min./max.	-40 ... 80 °C
Medium	Compressed air Neutral gases
Weight	0.19 kg

The delivered product varies from that in the illustration. See the drawing for an exact description.



Technical data

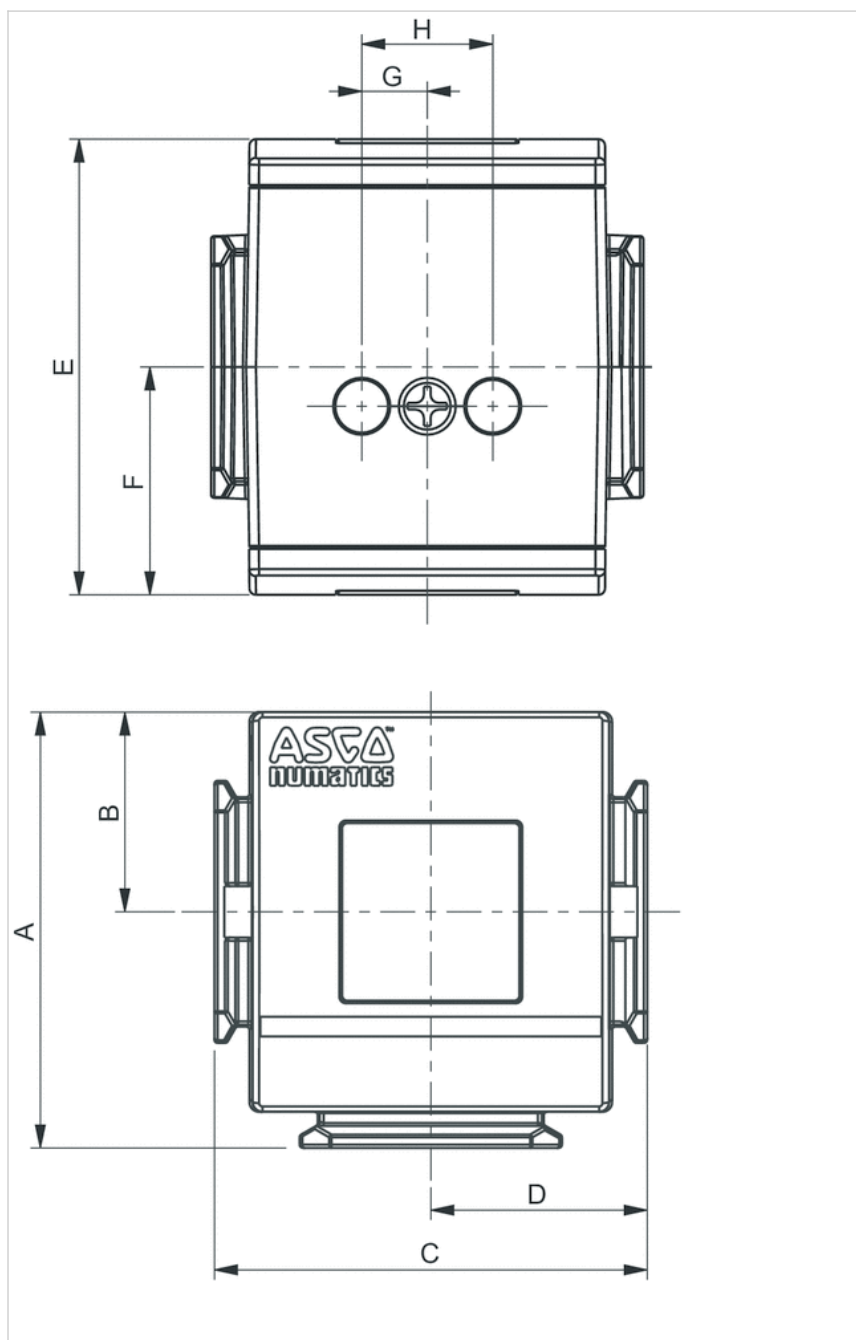
Part No.	Port
G651AD002CA0000	G 1/4

Technical information

Material	
Housing	Aluminum
Seals	Nitrile butadiene rubber

Dimensions

Dimensions

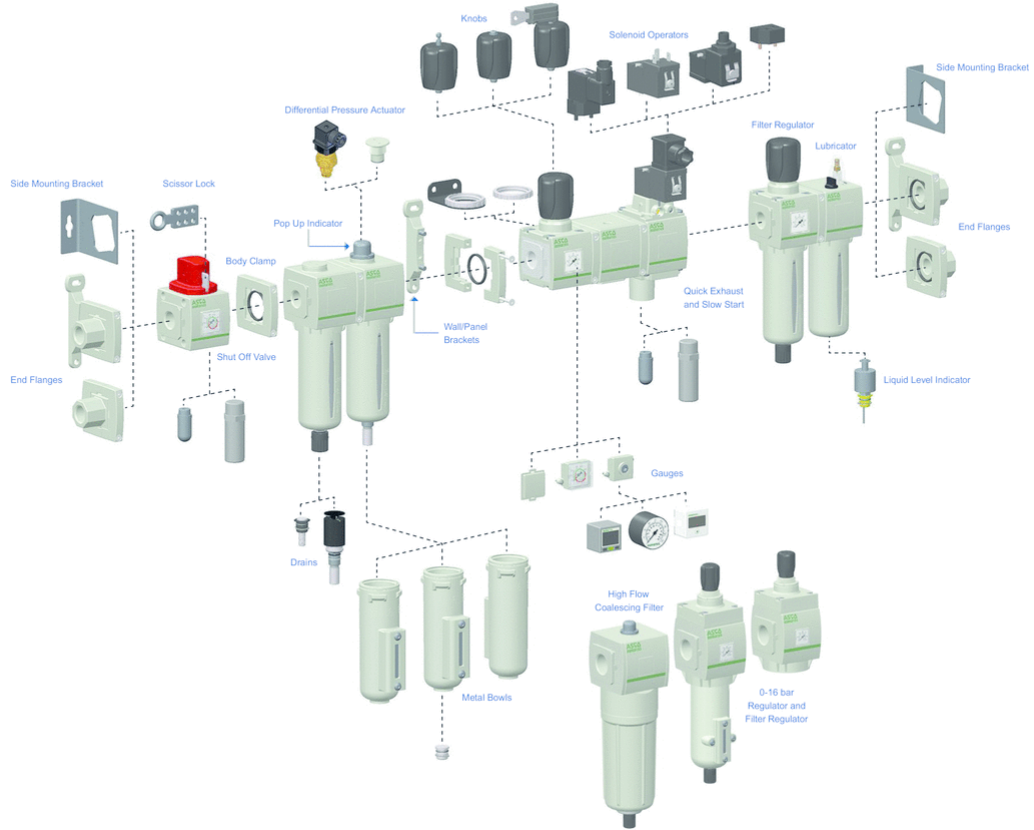


Dimensions

Series	A	B	C	D	E	F	G	H
651	54,4	25	50	25	58	29	10	20

Accessories overview

Accessories overview



Ordering information

G 651 A D 0 0 2 C A00 0 0

Thread connection
 G = ISO 228/1-G ⁽¹⁾
 8 = NPTF

Product series
 651
 652
 653

Revision letter
 A

Product type
 D = Diverter Block

Pressure switch type
 0 = No pressure switch
 1 = Pad mount without Visual indicator 10 bar max.
 2 = Pad mount with Visual indicator 10 bar max.

Options ⁽²⁾
 A00 = Without option
 101 = Side Mounting Brackets
 117 = ATEX zones 1-21 ⚠
 124 = CUTR Certification (EAC)
 125 = CUTR Ex

Pressure switch interface
 C = Provisioned for 349 pressure switch pad mount

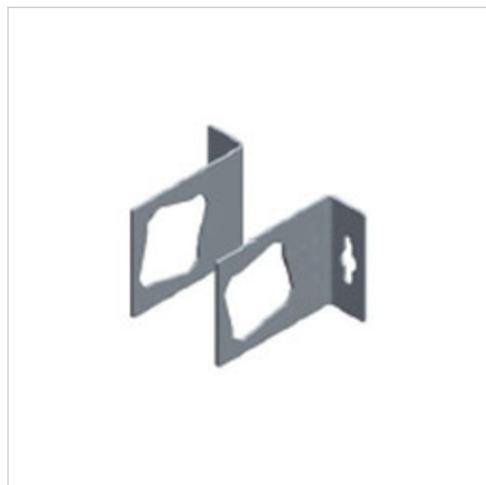
Port size
 2 = 1/4 (651 Series)
 4 = 1/2 (652 Series)
 6 = 1 (653 Series)

⁽¹⁾ Conforms to ISO standards 1179-1.

⁽²⁾ [If multiple options are required, please use the on-line CAD configurator on the website to generate the part number \(www.asco.com\).](http://www.asco.com)

Mounting bracket, Series 651

- Side mounting brackets



Brand

ASCO Numatics

Technical data

Part No.

P651AT503860001

Includes two brackets.

Technical information

Recommended only for static applications (without vibration)

Technical information

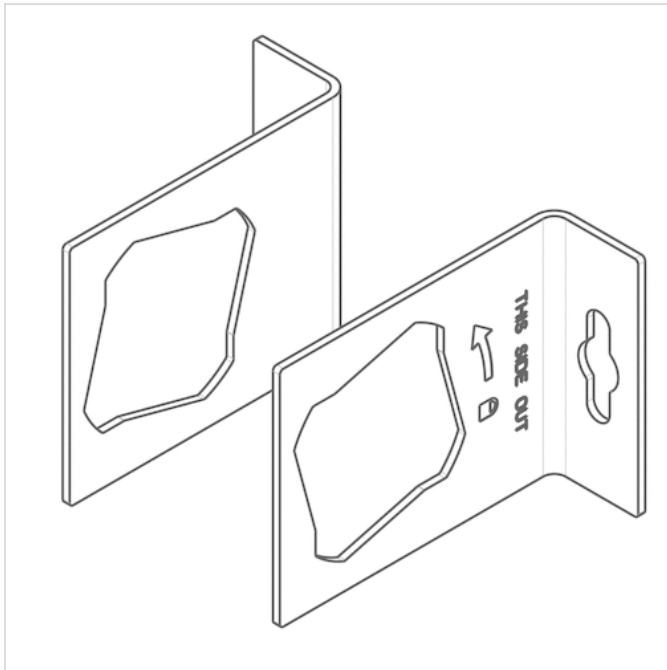
Material

Housing

Stainless steel

Dimensions

Dimensions



Block assembly kit

- End plate kit
- Body-to-body assembly clamps



Brand

ASCO Numatics

Technical data

Part No.

P651AT504958001

Includes NBR O-ring

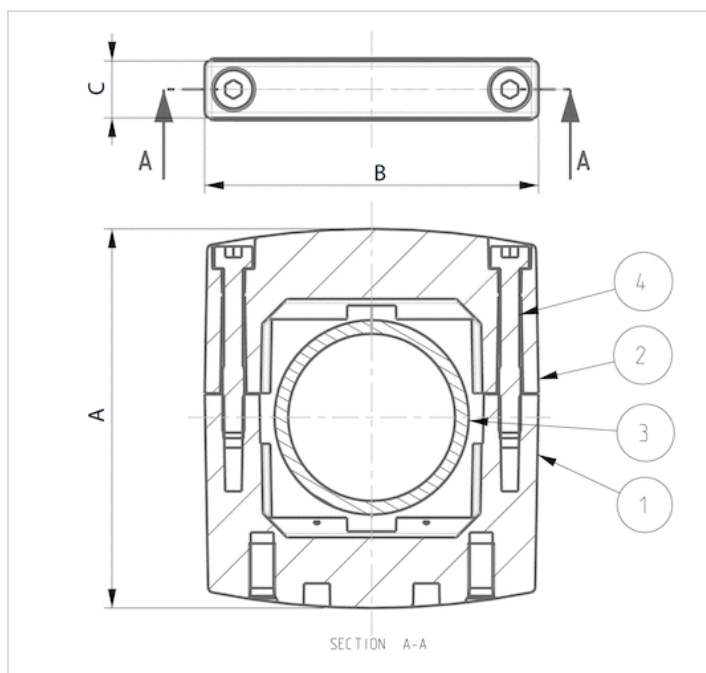
Technical information

Material

Housing	Aluminum
Seal	Nitrile butadiene rubber

Dimensions

Dimensions



- 1) Block assembly kit
- 2) Block assembly kit
- 3) O-ring
- 4) Screw

Dimensions

Series	A	B	C
651	58	50	8

End plate kit



Brand

ASCO Numatics

Technical data

Part No.	Port
T651AT504959002	G 1/4

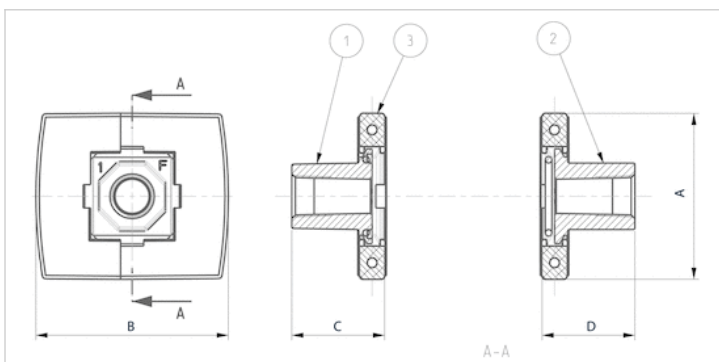
Includes two end plates, body-to-body assembly clamps, and O-ring

Technical information

Material	
Housing	Aluminum
Seal	Nitrile butadiene rubber

Dimensions

Dimensions



- 1) Right end plate
- 2) Left end plate
- 3) Kit

Dimensions

Series	A	B	C	D
651	50	58	28	28

Mounting clip

- Wall/panel bracket kit



Brand

ASCO Numatics

Technical data

Part No.

P699AT502467001

Includes one bracket and two screws for attaching the bracket to the body clamps.

Technical information

One bracket is suitable for mounting two products.
Two brackets are required for mounting three or more products.

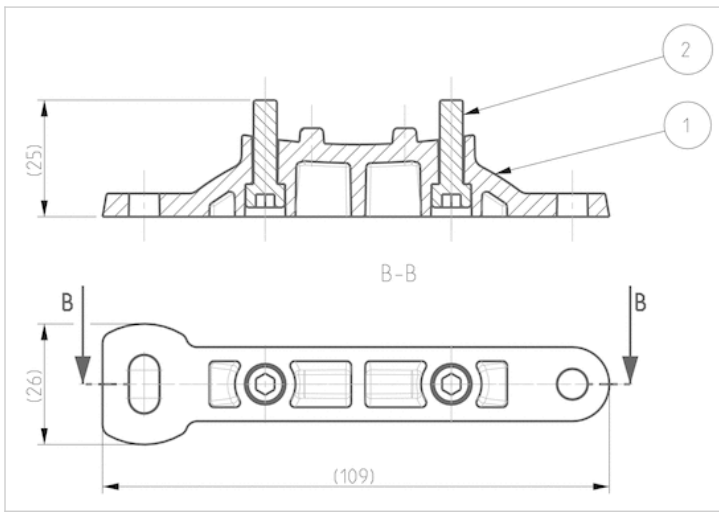
Technical information

Material

Housing	Aluminum
Seal	Nitrile butadiene rubber

Dimensions

Dimensions



- 1) Holder
- 2) Screw

Panel nut and bracket

- For panel installation



Brand

ASCO Numatics

Technical data

Part No.

P651AT503861001

Technical information

The panel nut and bracket are used to mount a regulator or filter-regulator to a wall or panel.

Technical information

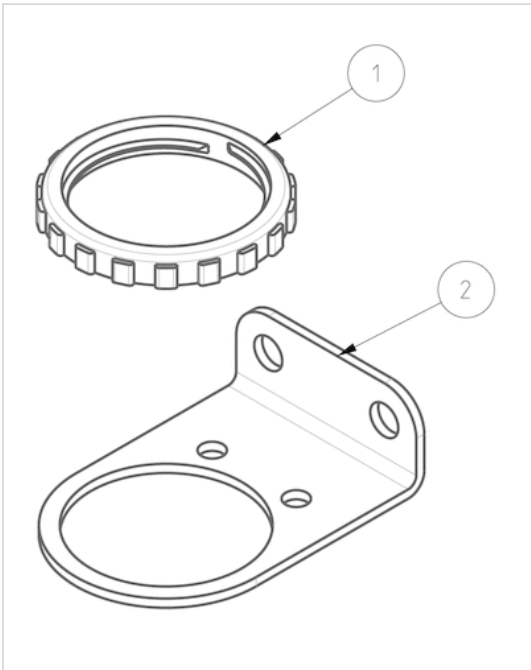
Material

Housing

Stainless steel

Dimensions

Dimensions



- 1) Panel nut
- 2) Mounting bracket

Filter element

- 651

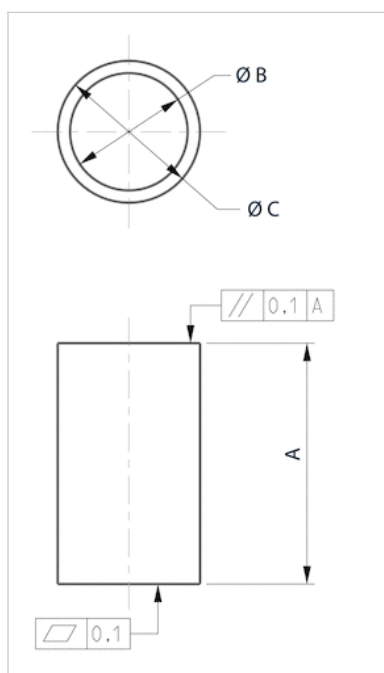


Technical data

Part No.	filter porosity	Color
M651AE434063002	25 µm	Yellow
M651AE434063001	5 µm	White

Dimensions

Dimensions



Dimensions

Series	A	B	C
651	32,9	17,2	21,5

Efficient pneumatic solutions, our program: cylinders and drives, valves and valve systems, air supply management



Visit us: [Emerson.com/Aventics](https://www.emerson.com/Aventics)

Your local contact: [Emerson.com/contactus](https://www.emerson.com/contactus)



[Emerson.com](https://www.emerson.com)



[Facebook.com/EmersonAutomationSolutions](https://www.facebook.com/EmersonAutomationSolutions)



[LinkedIn.com/company/Emerson-Automation-Solutions](https://www.linkedin.com/company/Emerson-Automation-Solutions)



[Twitter.com/EMR_Automation](https://twitter.com/EMR_Automation)

An example configuration is depicted on the title page. The delivered product may thus vary from that in the illustration. Subject to change. This Document, as well as the data, specifications and other information set forth in it, are the exclusive property of AVENTICS GmbH. It may not be reproduced or given to third parties without its consent. Only use the AVENTICS products shown in industrial applications. Read the product documentation completely and carefully before using the product. Observe the applicable regulations and laws of the respective country. When integrating the product into applications, note the system manufacturer's specifications for safe use of the product. The data specified only serve to describe the product. No statements concerning a certain condition or suitability for a certain application can be derived from our information. The information given does not release the user from the obligation of own judgment and verification. It must be remembered that the products are subject to a natural process of wear and aging.

The Emerson logo is a trademark and service mark of Emerson Electric Co. Brand logotype are registered trademarks of one of the Emerson family of companies. All other marks are the property of their respective owners. © 2017 Emerson Electric Co. All rights reserved.
2019-03



CONSIDER IT SOLVED™