

**Operate efficiently in all situations
with reduced efforts**



AVENTICS™ Marex ECS

Experience time-saving installation and start-up while enhancing the maneuverability of your boat.





Design: A genuine eye-catcher on your bridge

Excellent design supports operation in all situations. The straightforward, timeless style of the AVENTICS Marex ECS goes well with any ship design. The unmistakable keypad icons ensure intuitive operation.

The control head is a perfect fit for every yacht. The chrome-plated metal lever is a must-have and meets the highest requirements with regard to design and functionality. Alternatively, the black version, made of high-end synthetics, focuses on the essentials with an attractive design.





User experience: Application expertise meets state-of-the art technology

With the Marex ECS, Emerson introduces one of the most innovative engine remote controls to the market. Its sophisticated technology combines functionality with easy handling, resulting in reduced installation and commissioning efforts, and easy operation features.

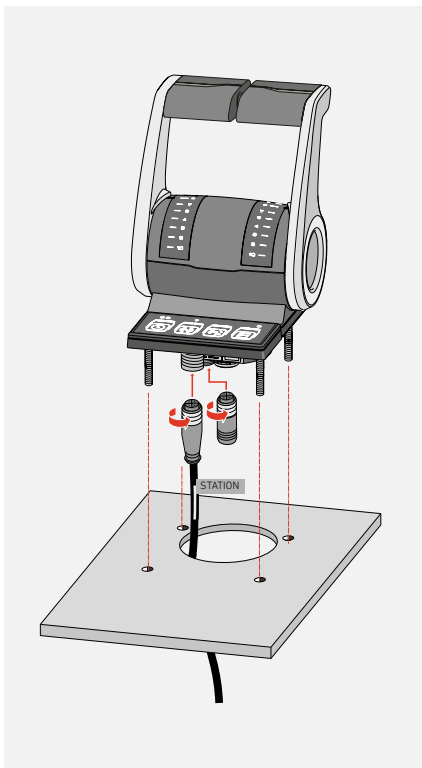
- Plug-in solution
- Color-coded cabling
- Auto-configuration
- Fine-adjustment via WiFi
- Intuitive operation

Plug-in ready components reduce wiring installation effort. Color-coded, preassembled cables facilitate the installation and help to avoid mistakes. The Marex ECS also provides a smart autoconfiguration feature when starting up the system or replacing components.

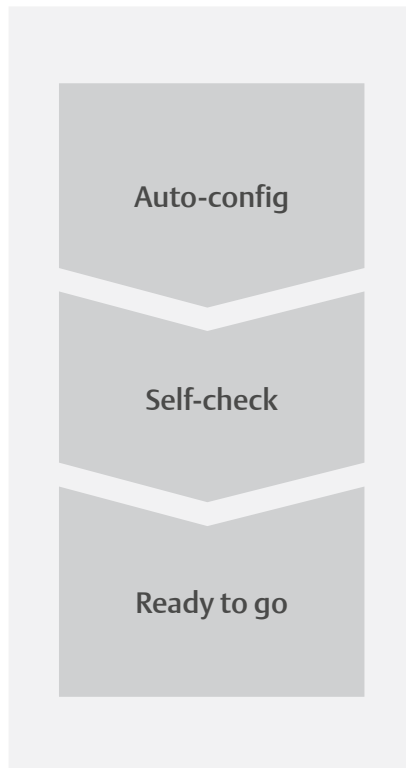
If necessary, system settings can be modified via MarexLink using a smartphone, tablet computer or laptop without additional software and hardware adapters. A help menu is provided and error messages can be displayed as clear text. The Marex ECS control head features an illuminated scale which guides the user through the operation.

Time-saving installation and start up with possibility to fine-adjust

Plug-in



Power-up



Optimize





Safety: Reliable operation in all waters

Our products pair 70 years of reliability, experience, and state-of-the-art technology manufactured in Germany. The Marex ECS sets benchmarks with regard to safety, and meets the highest production and quality standards. Its components were developed in accordance with the relevant directives for the marine industry:

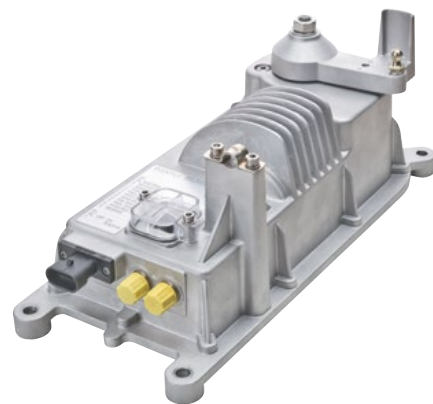
- EU Directive 2013/53/EU
- IACS E10
- ABYC-P24



▲ Marex ECS Control Unit and Wiring Harness

The Marex ECS hardware originates from proven automotive applications. The well-established CAN bus technology ensures reliable communication between the components.

With the Marex ECS, you can maneuver your boat safely. The integrated stall protection ensures the engine remains available at all times and in any situation.



▲ Marex ECS Actuator



Sustainability: Our responsibility for the future

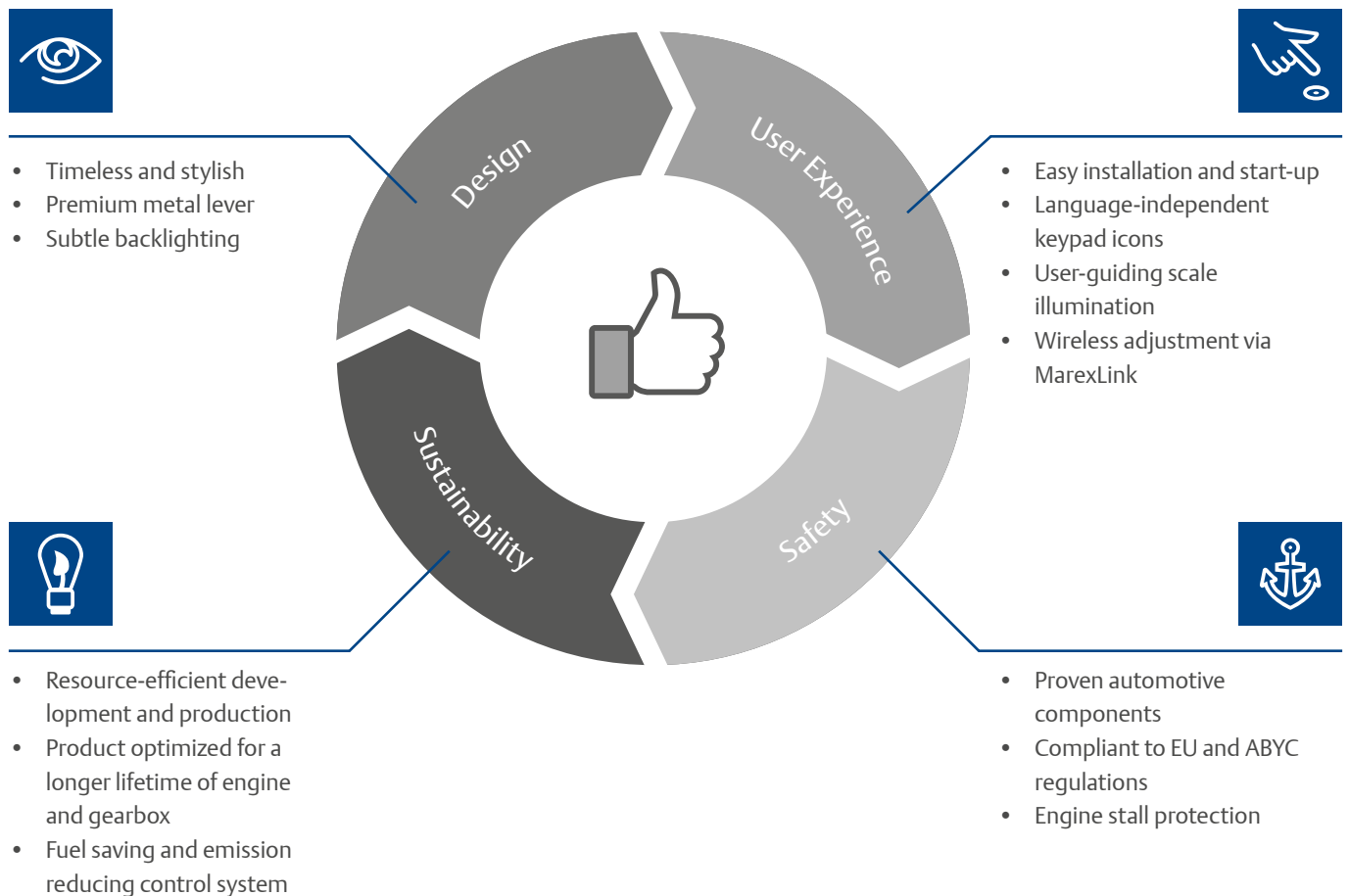
When designing products, Emerson thinks ahead. With over one million lever actuations, resource efficiency, as well as a long operation life, are essential features. Your ship will benefit from

the ability to optimize the Marex ECS for a longer engine and gearbox life, while reducing fuel consumption and emissions.

Marex ECS – The Easy Control System

The Marex ECS combines user convenience with excellent functionality and attractive design. Its timeless appearance blends in smoothly with any ship design, pleasure craft or work boat. State-of-the-art CAN bus technology is used to control single or twin diesel engine applications smoothly from up to four control stations. Needless to say, verified quality and the

highest production standards ensure maximum reliability and safety in operation. After a simple start-up procedure, the Marex ECS is good to go. Optionally, control features can be adapted for a gentle operation which will protect the engine and gearbox. Thanks to the integrated WiFi, the adjustments are easily made on a smartphone, tablet computer, or laptop.



Experience the Marex ECS without
compromise on quality or design.



AVENTICS™

Visit us: [Emerson.com/AVENTICS](https://emerson.com/AVENTICS)

Your local contact: [Emerson.com/contactus](https://emerson.com/contactus)



[Emerson.com](https://emerson.com)



[Facebook.com/EmersonAutomationSolutions](https://facebook.com/EmersonAutomationSolutions)



[LinkedIn.com/company/Emerson-Automation-Solutions](https://linkedin.com/company/Emerson-Automation-Solutions)



[Twitter.com/EMR_Automation](https://twitter.com/EMR_Automation)

The Emerson logo is a trademark and service mark of Emerson Electric Co. Brand logotype are registered trademarks of one of the Emerson family of companies. All other marks are the property of their respective owners. © 2019 Emerson Electric Co. All rights reserved. R500000141 / Printed in Europe / 10-19



CONSIDER IT SOLVED™